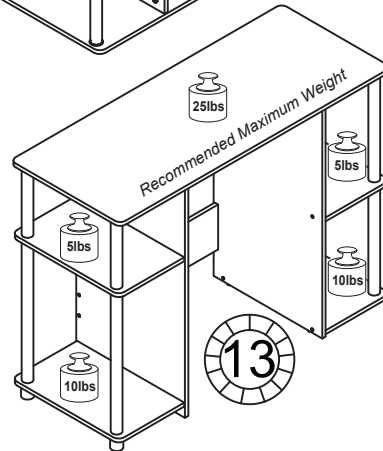
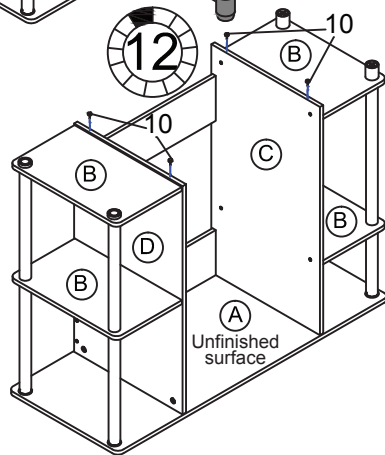
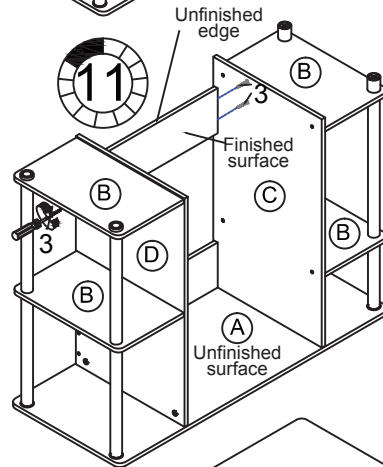
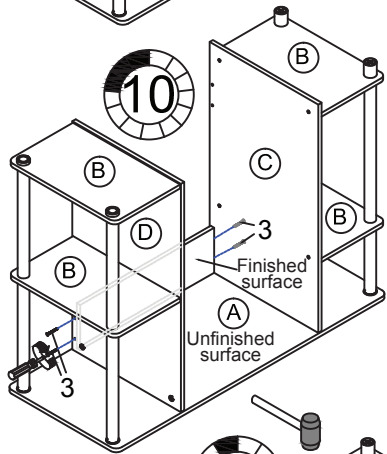
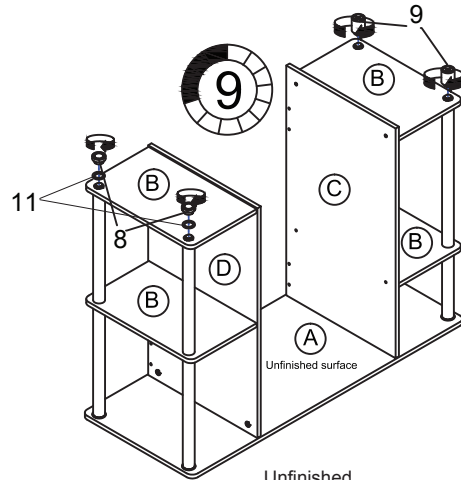
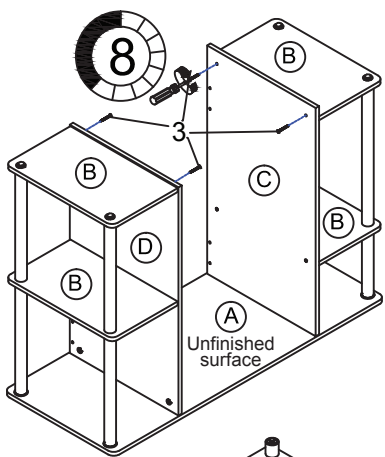


## **User Manual of Product 1:**

Fluidmaster B1T12CS CLICK SEAL Toilet Connector, Braided  
Stainless Steel - 3/8 Female Compression Thread x 7/8 Female  
Ballcock Thread, 12-Inch Length



## Assembly Instruction

Furinno JAYA Compact Computer Study Desk

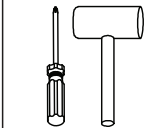
MODEL : 15112

00:30

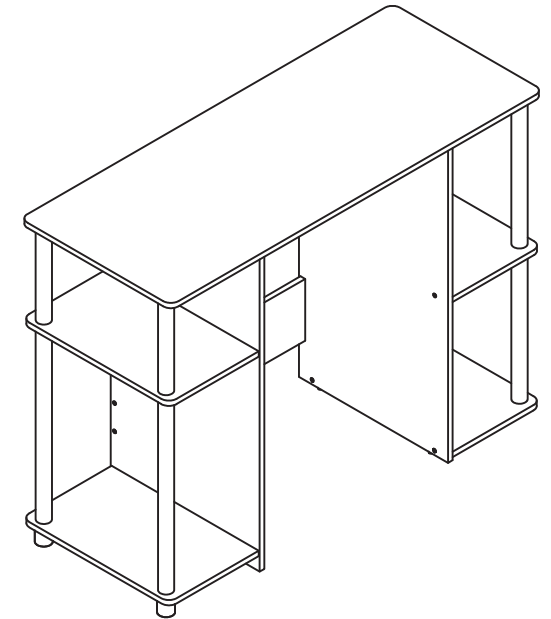
Approx. 30 minutes



Recomm. 2 Person



Tool Required



### WARNING:

This unit has been designed to support the maximum loads shown. Exceeding these load limits could cause sagging, instability, product collapse, and/or serious injury. DO NOT allow children to climb on unit.



### Customer Support

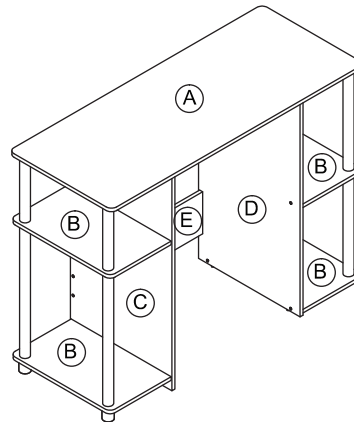
NEED HELP? For replacement requests or product inquiries, please contact our Customer Service Team by emailing us at [support@furinno.com](mailto:support@furinno.com). Thank you for selecting Furinno!

[www.furinno.com](http://www.furinno.com)



No	Hardware List	Qty
1	Mini Fix Bolt	4pcs
2	Mini Fix Cam	4pcs
3	Screw	16pcs
4	Dowel	12pcs
5	Round Pole	2pcs
6	Long Round Pole	4pcs
7	Extra Long Pole	2pcs
8	Small Round Leg	2pcs
9	Round Leg	2pcs
10	Nail Leg	4pcs
11	Round Ring	2pcs

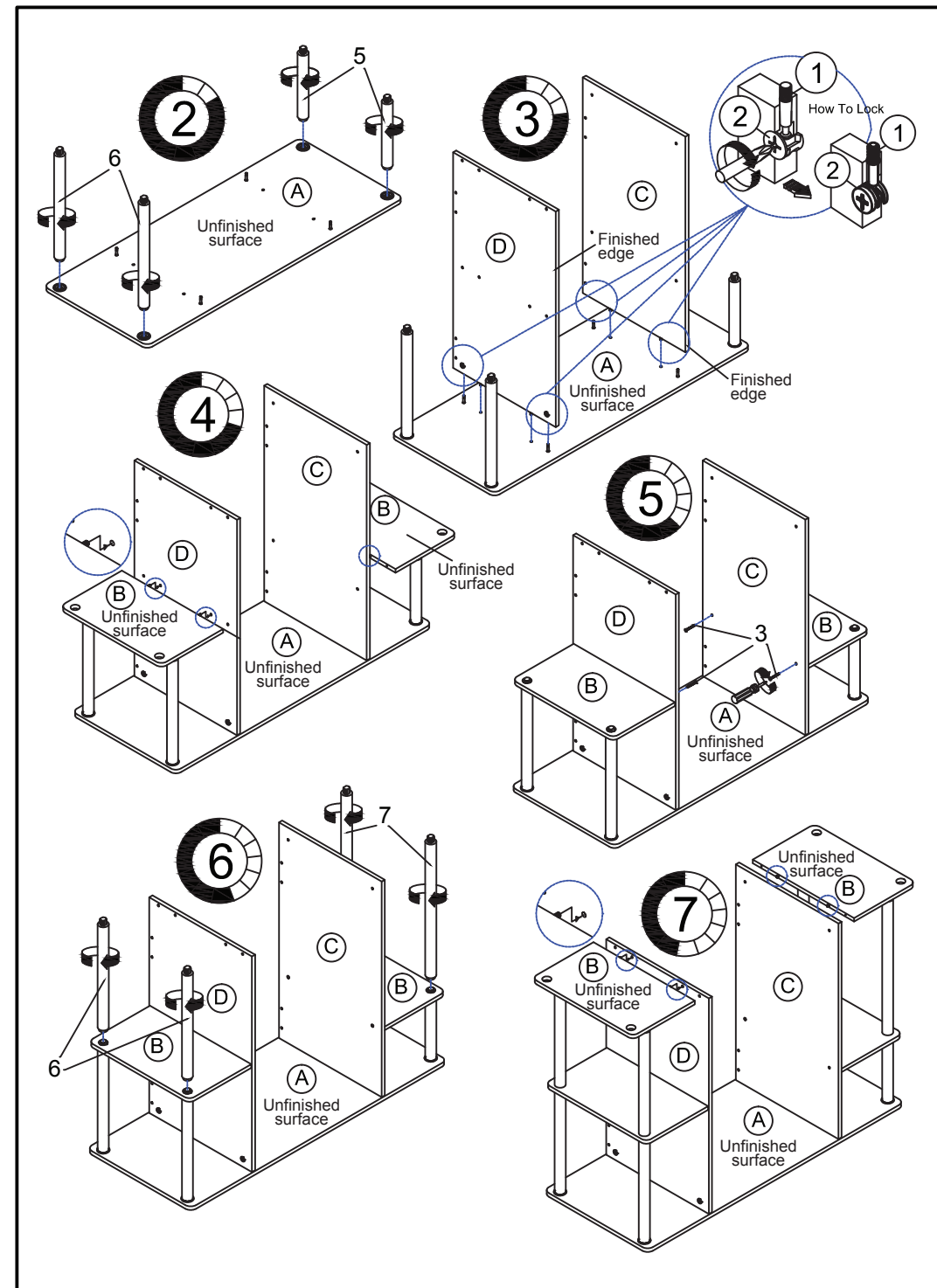
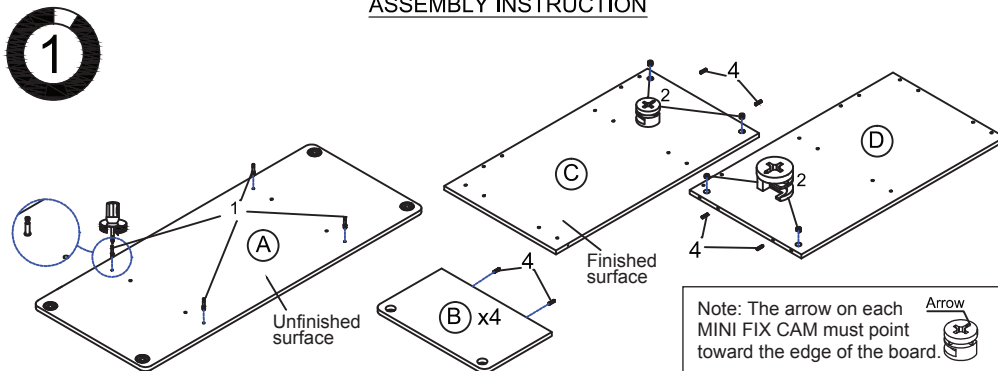
No	Parts List	Qty
A	Top Panel	1pc
B	Side Shelf Panel	4pcs
C	Left Side Panel	1pc
D	Right Side Panel	1pc
E	Back Support Panel	2pcs



### USEFUL HINTS BEFORE YOU START:

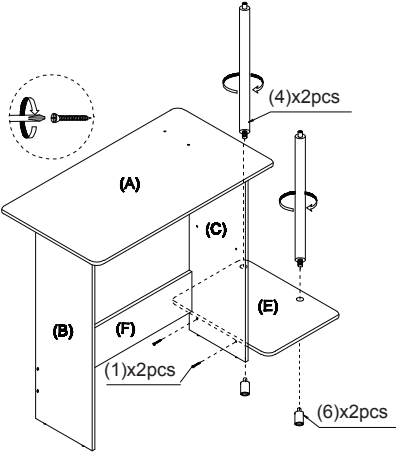
1. Read each step carefully before starting.
2. It is important that each step is performed in correct order to avoid difficulties.
3. Identify, sort and count the parts before assembly.
4. Assemble your furniture on packaging cardboard to prevent scratch or damage.
5. Clean the product with mild cleanser using soft damped cloth. Do not use harsh or abrasive cleanser.
6. Using incompatible hardware might cause damage to product.

### ASSEMBLY INSTRUCTION



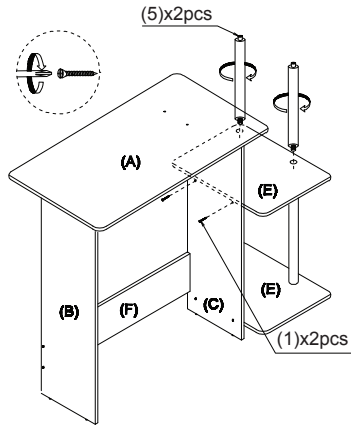
### STEP 5

- 5.1 Attach Panel (E) to Panel (C) using Screw (1).
- 5.2 Fix Leg (6) to the bottom of Panel (E) and tighten it to Long Pole(4).



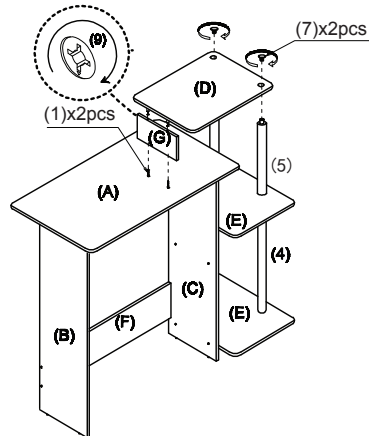
### STEP 6

- 6.1 Attach another Panel (E) to Panel (C) using Screw (1).
- 6.2 Attach Short Pole (5) and tighten it.

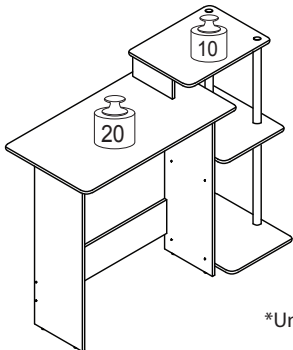


### STEP 7

- 7.1 Attach Panel (G) to Panel (A) using Screw (1).
- 7.2 Attach Panel (D) to Panel (G) and tighten Cam-Lock (9) using screwdriver.
- 7.3 Tighten Top Cap (7) to Pole (5).



### Recommended Maximum Weight



\*Unit in Pound(lbs)

### **WARNING:**

>This unit has been designed to support the maximum loads shown. Exceeding these load limits could cause sagging, instability, product collapse, and/or serious injury.

>DO NOT allow children to climb on unit.

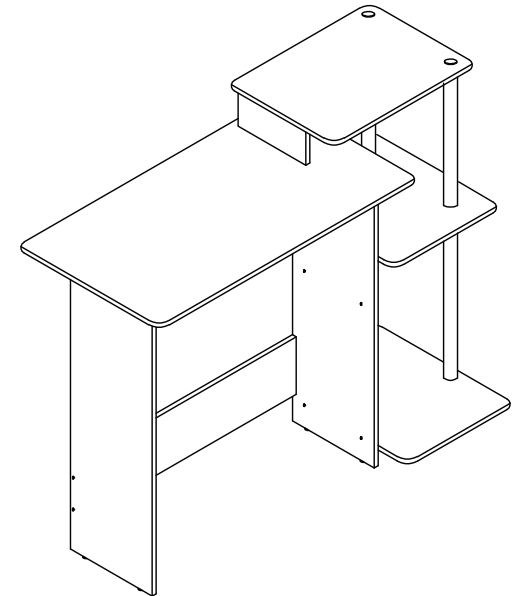
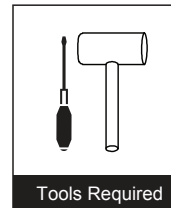
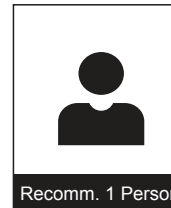
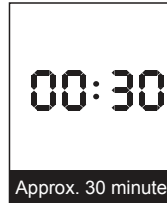
>Put heavier items on lower shelves.



## Assembly Instruction

Furinno Efficient Home Laptop Notebook Computer Desk

MODEL : 11192




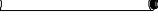



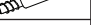








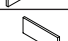


### Customer Support

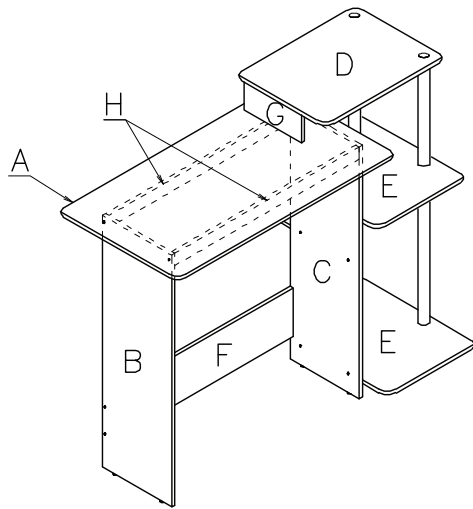
**NEED HELP?** For replacement requests or product inquiries, please contact our Customer Service Team by emailing us at [support@furinno.com](mailto:support@furinno.com). Thank you for selecting Furinno!

[www.furinno.com](http://www.furinno.com)



No	Hardware List	Qty
1	Screw 	14pcs
2	Dowel 	4pcs
3	Nail Leg 	4pcs
4	Long Pole 	2pcs
5	Short Pole 	2pcs
6	Leg 	2pcs
7	Top Cap 	2pcs
8	Cam-Lock Screw 	6pcs
9	Cam-Lock Nut 	6pcs

No	Parts List	Qty
A	Top Panel 	1pc
B	Left Side Panel 	1pc
C	Right Side Panel 	1pc
D	Side Top Panel 	1pc
E	Shelf Panel 	2pcs
F	Back Panel 	1pc
G	Center Panel 	1pc
H	Skirt Panel 	2pcs

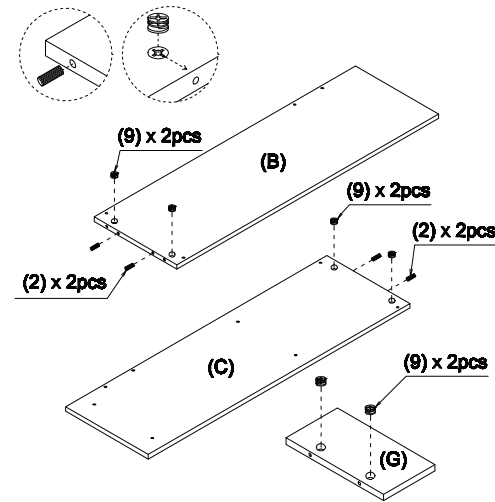


#### USEFUL HINTS BEFORE YOU START:

1. Read each step carefully before starting.
2. It is important that each step is performed in correct order to avoid difficulties.
3. Identify, sort and count the parts before assembly.
4. Assemble your furniture on packaging cardboard to prevent scratch or damage.
5. Clean the product with mild cleanser using soft damped cloth. Do not use harsh or abrasive cleanser.
6. Using incompatible hardware might cause damage to product.

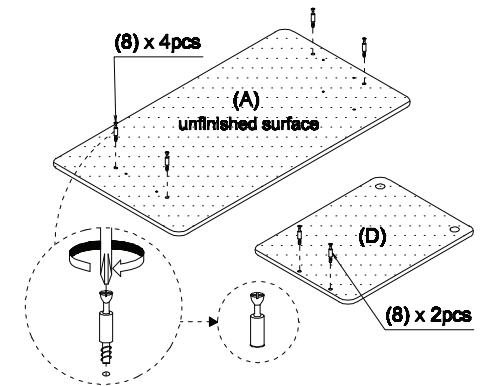
#### STEP 1

- 1.1 Insert Dowel (2) to Panel (B) &(C).
- 1.2 Insert Cam-Lock Nut (9) into Panel (B),(C) & (G).  
Note: Arrow on Cam-Lock Nut (9) should be pointing towards hole.



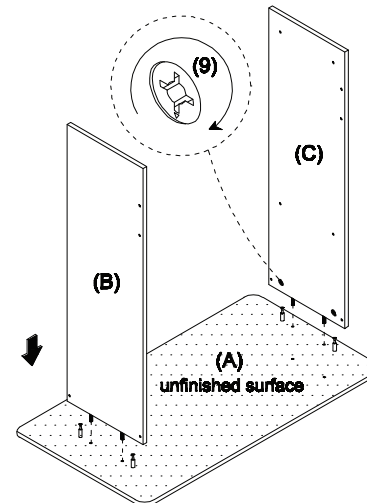
#### STEP 2

- Screw Cam-Lock Screw (8) into the pre-drilled holes on Panel (A)&(D).



#### STEP 3

- Attach Panel (B)&(C) to Panel (A) and tighten Cam-Lock Nut (9) using screwdriver.



#### STEP 4

- 4.1 Attach Panel (F)&(H) to Panel (B)&(C) using Screw (1).
- 4.2 Install Nail Leg (3) to the bottom of L/R Side Panel (B)&(C) using rubber mallet.

