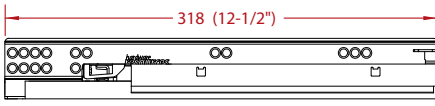
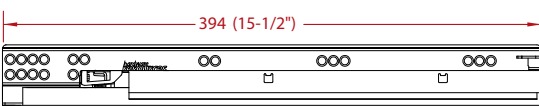
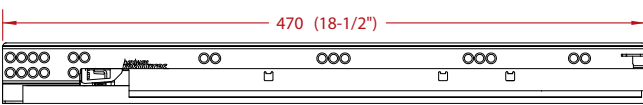
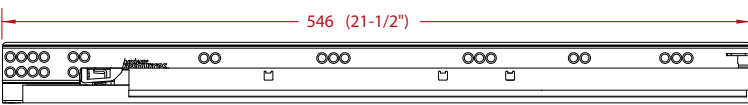


Standard-Duty Soft-Close Slide Kits

USE58 Slide Kit Series

**Undermount
Slides**

Construction & Assembly Specifications

				FRAMELESS	FACE FRAME	
	Slide Length	Total Cabinet Depth	Overall Drawer Length	Min Inside Cabinet Depth	Min Inside Cabinet Depth	Max Inside Cabinet Depth
	12-1/2" 318 mm	15" 381 mm	12" 305 mm	12-5/8" 321 mm	12-7/8" 326 mm	14-9/16" 369 mm
	15-1/2" 394 mm	18" 457 mm	15" 381 mm	15-11/16" 398 mm	15-7/8" 403 mm	17-9/16" 446 mm
	18-1/2" 470 mm	21" 533 mm	18" 457 mm	18-11/16" 474 mm	18-7/8" 479 mm	20-9/16" 522 mm
	21-1/2" 546 mm	24" 610 mm	21" 533 mm	21-11/16" 550 mm	21-7/8" 555 mm	23-9/16" 598 mm

Assume 3 mm (1/8") setback from drawer opening

Rear brackets for face frame applications will yield a 5–48 mm (3/16"–1-7/8") depth adjustment

For inset drawer front applications:

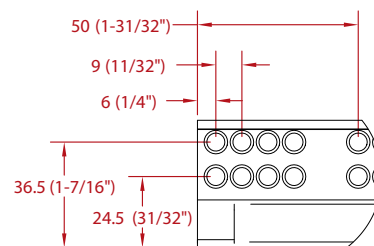
Setback: 5 mm (3/16") + Drawer Front Thickness

For frameless cabinets, Inside Cabinet Depth Minimum = Slide Length + Setback + 3 mm (1/8")

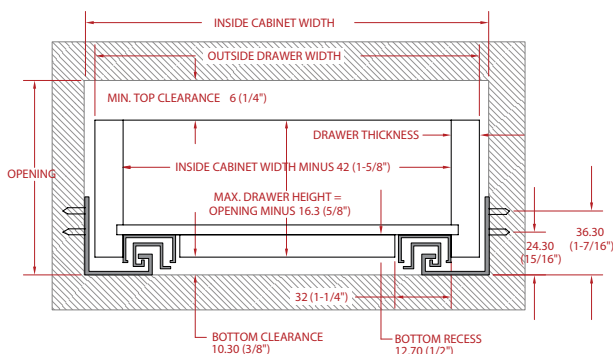
For face frame cabinets, Inside Cabinet Depth Minimum = Slide Length + Setback + 5 mm (3/16")

Inside Cabinet Depth Maximum = Slide Length + Setback + 48 mm (1-5/16")

FRONT HOLE PATTERN

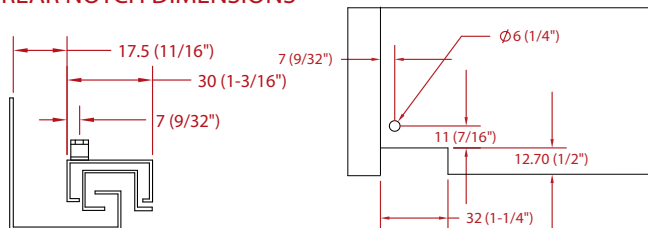


FRONT VIEW OF THE DRAWER INSIDE THE CABINET



MAXIMUM DRAWER HEIGHT = OPENING MINUS 19 MM (3/4")

REAR NOTCH DIMENSIONS



OUTSIDE DRAWER WIDTH CALCULATIONS

Drawer Side Thickness	5/8" 16 mm	19/32" 15 mm	9/16" 14 mm	1/2" 13 mm	15/32" 12 mm
Inside Cabinet Width Deduction	3/8" 10 mm	15/32" 12 mm	9/16" 14 mm	5/8" 16 mm	23/32" 18 mm