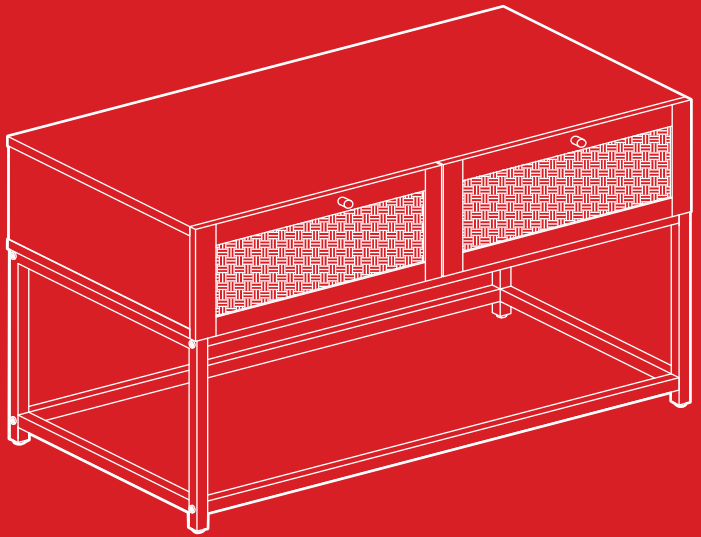




BEST CHOICE
PRODUCTS



INSTRUCTION MANUAL

2-Drawer Coffee Table



**BEST CHOICE
PRODUCTS**

As shoppers, we're always trying to find the perfect balance between quality & value. At BCP, we believe we've achieved that. Our diverse catalog of everyday essentials is tailored especially to our customers & guaranteed to hit that sweet spot of high quality & low price.

— Always. —

NOTICE

Please retain these instructions for future reference.

- Please do not exceed the weight limitations of this item.
- Do not stand on or use any part of this item as a step ladder.
- Firmly secure all bolts, screws, and knobs before use.
- Reconfirm that all bolts, screws, and knobs are secure every 90 days.
- Fasten screws loosely during initial assembly. Do not firmly tighten the screws until the item is completely assembled.
- Do not use or store this item in the proximity of open flame or flammable/combustible chemicals.
- Be aware that some parts are heavy and have sharp edges.
- If any parts are missing, broken, damaged, or worn, stop using this product until repairs are made and/or factory replacement parts are installed.
- Do not use this item in a way inconsistent with the manufacturer's instructions as this could void the product warranty.

TOOLS REQUIRED



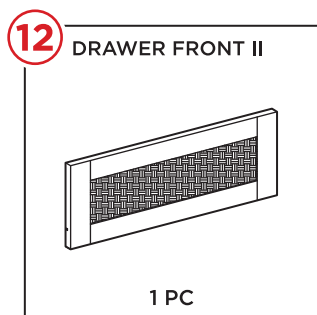
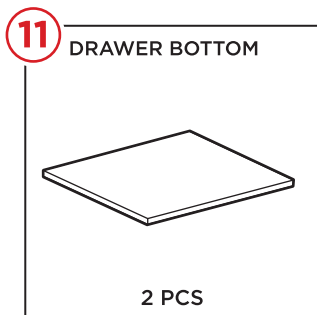
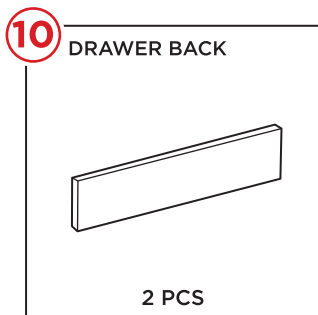
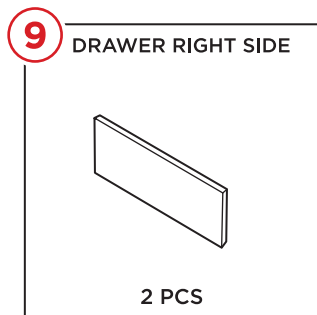
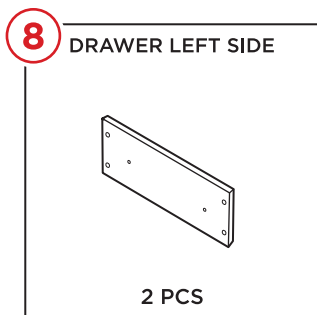
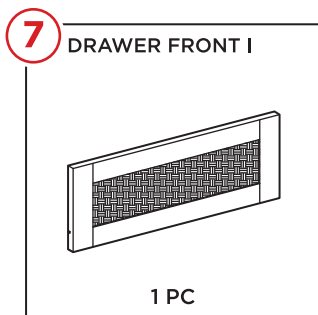
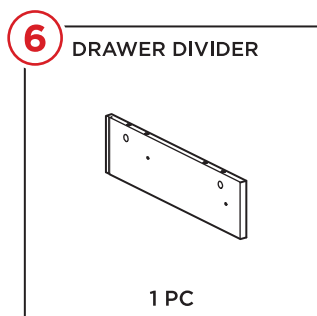
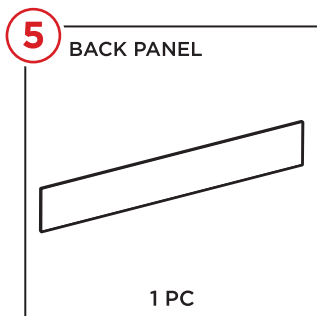
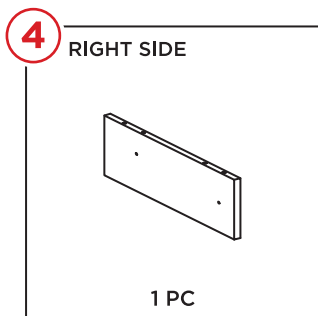
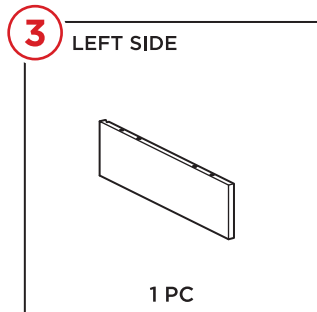
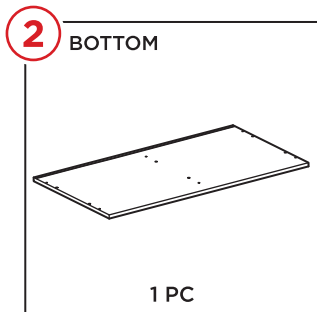
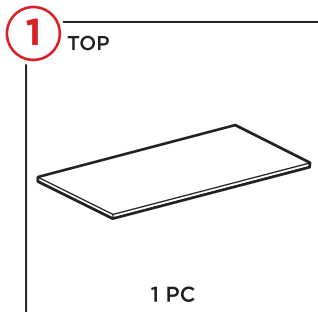
LBS **LBS** **1 PERSON ASSEMBLY** **UP TO 45 MIN. ASSEMBLY**

120 LBS TOP WEIGHT CAPACITY 15 LBS DRAWER CAPACITY

HARDWARE

A M6 X 35MM CAM BOLT 14 PCS	B Ø15 X 12MM CAM LOCK 14 PCS	C Ø7.8 X 30MM DOWEL 12 PCS	D M7 X 38MM SCREW 6 PCS
E M4 X 35MM SCREW 8 PCS	F1 300MM DRAWER FEMALE RUNNER 4 PCS	F2 300M DRAWER MALE RUNNER 4 PCS	G M3.5 X 14MM SCREW 16 PCS
H M6 X 40MM BOLT 8 PCS	I M6 X 28MM BOLT 6 PCS	J HANDLE 2 PCS	K M4 X 18MM SCREW 2 PCS
L FOOT CAP 4 PCS			

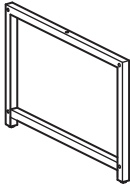
PARTS



PARTS

13

BASE SIDE FRAME



2 PCS

14

BASE TOP FRAME CONNECTOR



2 PCS

15

BASE BOTTOM FRAME CONNECTOR

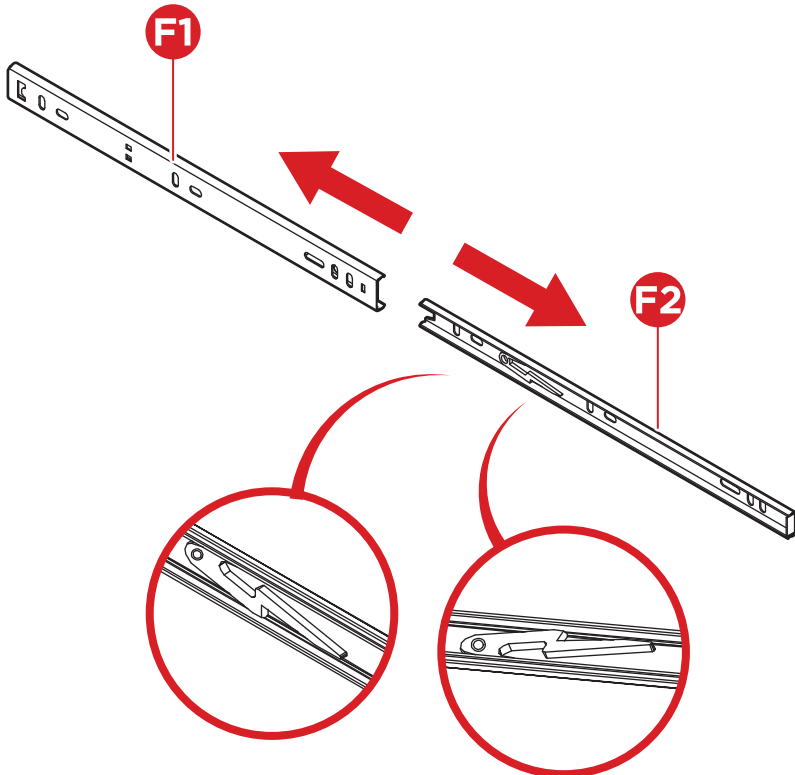


2 PCS

PRODUCT ASSEMBLY

1

Locate four **part F runner sets** and separate the two pieces, consider the larger half **F1 female runner** and the smaller half **F2 male runner**.

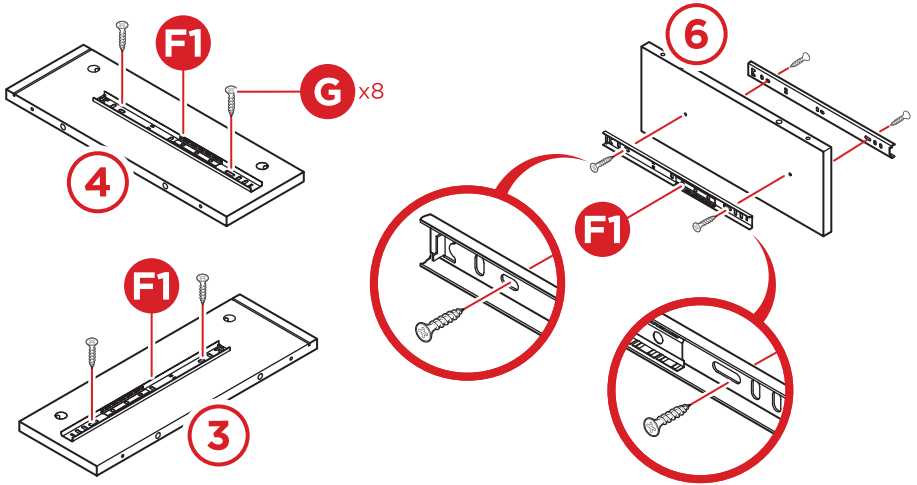


PRODUCT ASSEMBLY

2

Locate the **part 3 & 4 left and right side panels** and attach two **part F1 Female runners** with four **part G screws**, two screws per runner.

Attach two **part F1 female runners** to both sides of the part 6 middle divider with four **part G screws**, two screws per side

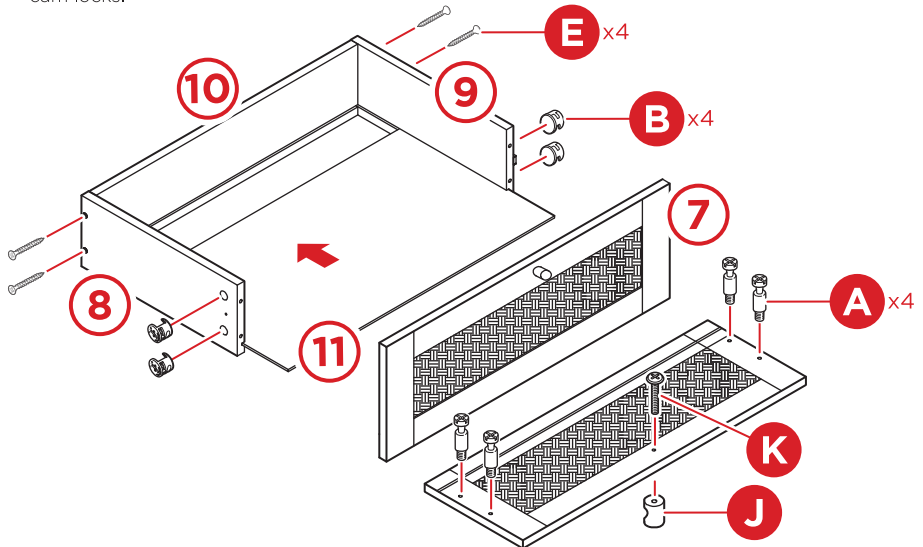


3

Attach one **part 8 & 9 drawer side** to one **part 10 drawer back** with four **part E screws**.

Slide the **part 11 drawer bottom** into the grooves of the drawer assembly, then insert four **part B cam locks** into the **part 8 & 9 drawer sides**, two locks per side.

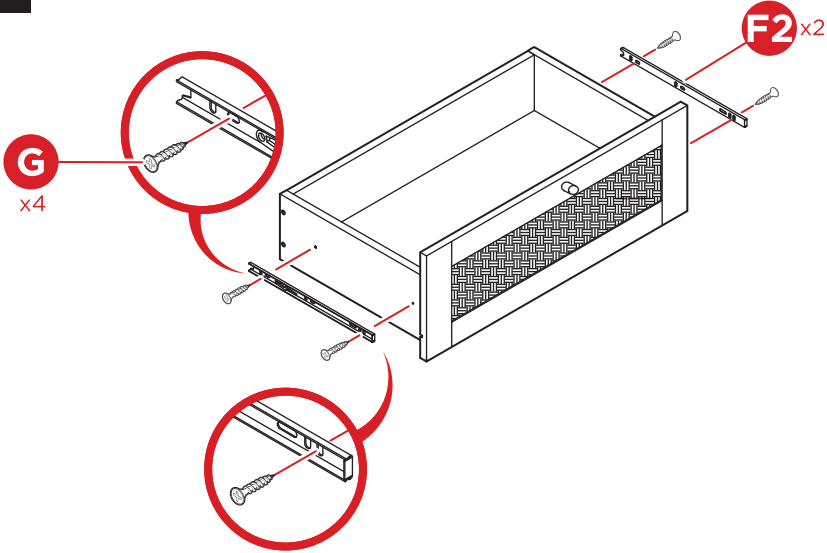
Insert four **part A cam bolts** into the **part 7 drawer front**, and attach one **part J handle** with one **part K screw**, then attach the drawer front to the **part 8 & 9 drawer sides** by turning the cam locks.



PRODUCT ASSEMBLY

4

Attach two **part F2 male runners** to the **part 8 & 9 drawer sides** with four **part G screws**, two screws per runner.

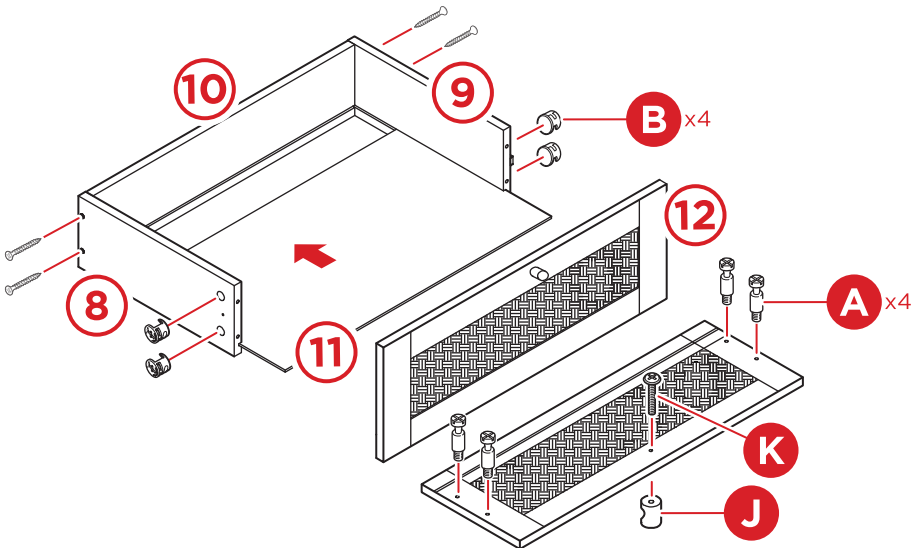


5

Attach one **part 8 & 9 drawer side** to one **part 10 drawer back** with four **part E screws**.

Slide the **part 11 drawer bottom** into the grooves of the drawer assembly, then insert four **part B cam locks** into the **part 8 & 9 drawer sides**, two locks per side.

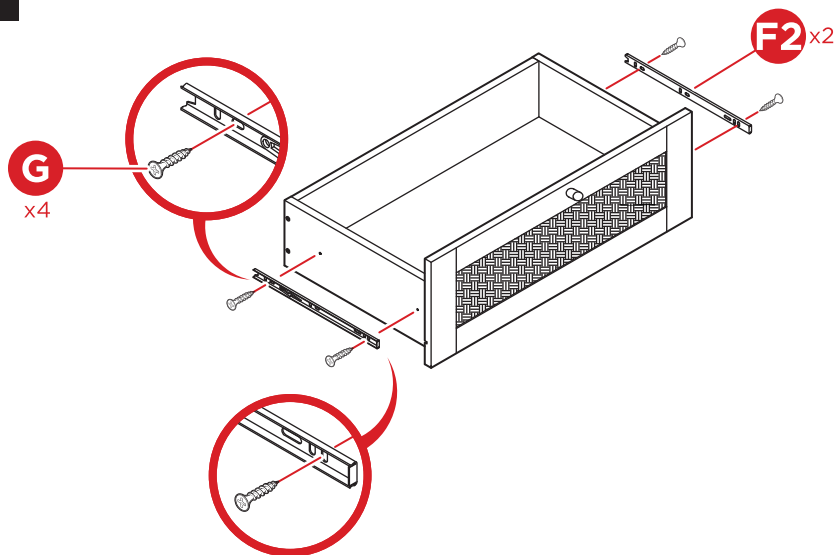
Insert four **part A cam bolts** into the **part 12 drawer front**, and attach one **part J handle** with one **part K screw**, then attach the drawer front to the **part 8 & 9 drawer sides** by turning the cam locks.



PRODUCT ASSEMBLY

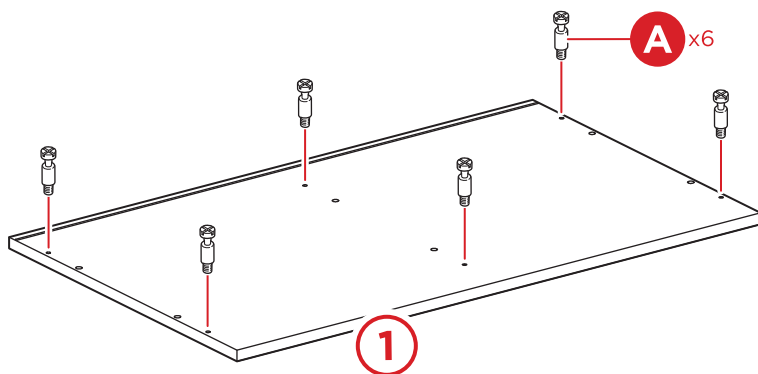
6

Attach two **part F2 male runners** each to the **part 8 & 9 drawer sides** with four **part G screws**, two screws per runner.



7

Insert six **part A cam bolt** into the **part 1 top panel**.



PRODUCT ASSEMBLY

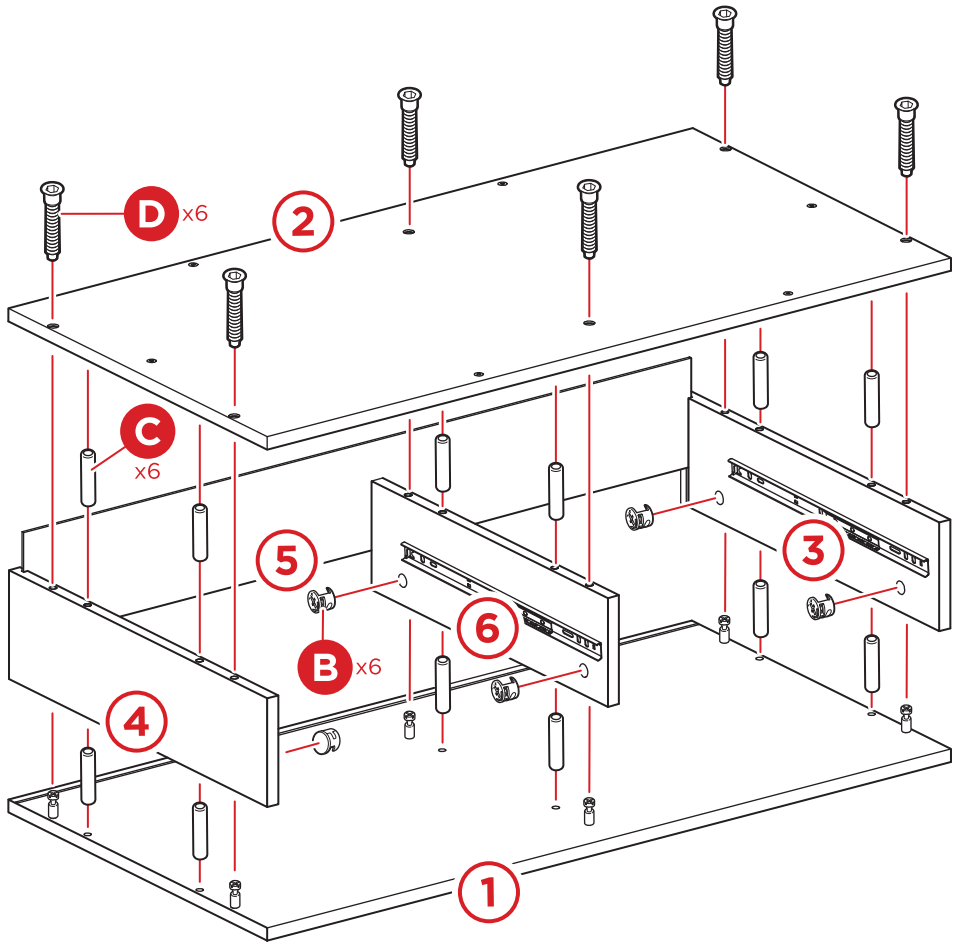
8

Insert six **part B cam locks** into the **part 3, 4, and 6 panels**, two locks per panel, then insert four **part C dowels** into each panel, twelve dowels total.

Attach the **part 3, 4, and 6 panels** to the **part 2 bottom panel**, then secure by turning the cam locks.

Insert the **part 5 back panel** into the part the groove of the **part 2 bottom**.

Attach the **part 1 top panel** to the **part 3, 4, and 6 drawer panels** with six **part D screws**.

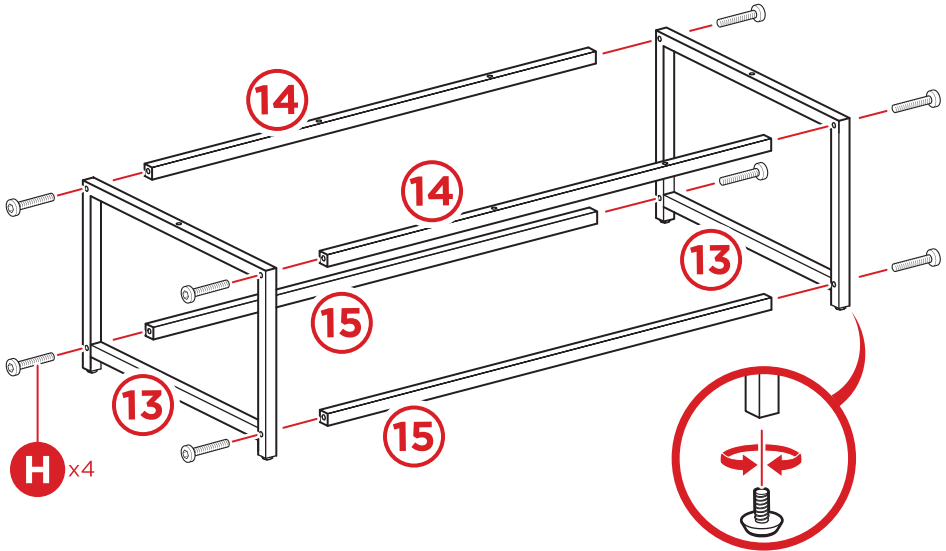


PRODUCT ASSEMBLY

9

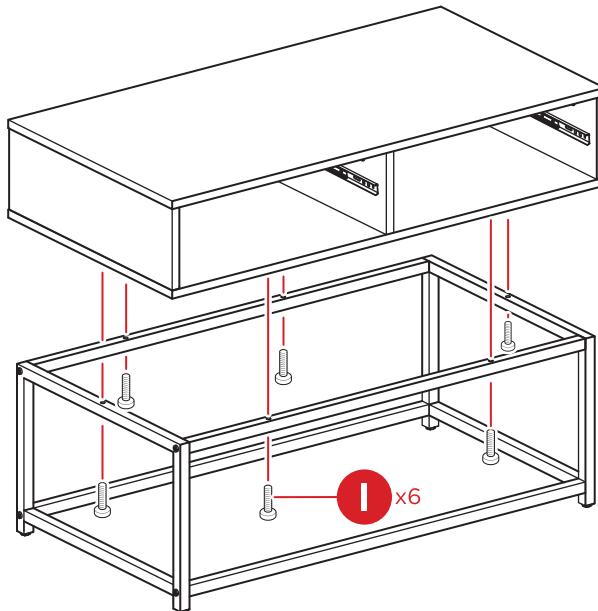
Attach two **part 15 base bottom frame connectors** to two **part 13 base side frames** with four **part H bolts**. Attach two **part 14 top frame connectors** to the side frames with four **part H bolts**.

Screw four **part L foot caps** into the side frames, adjust so all feet are level.



10

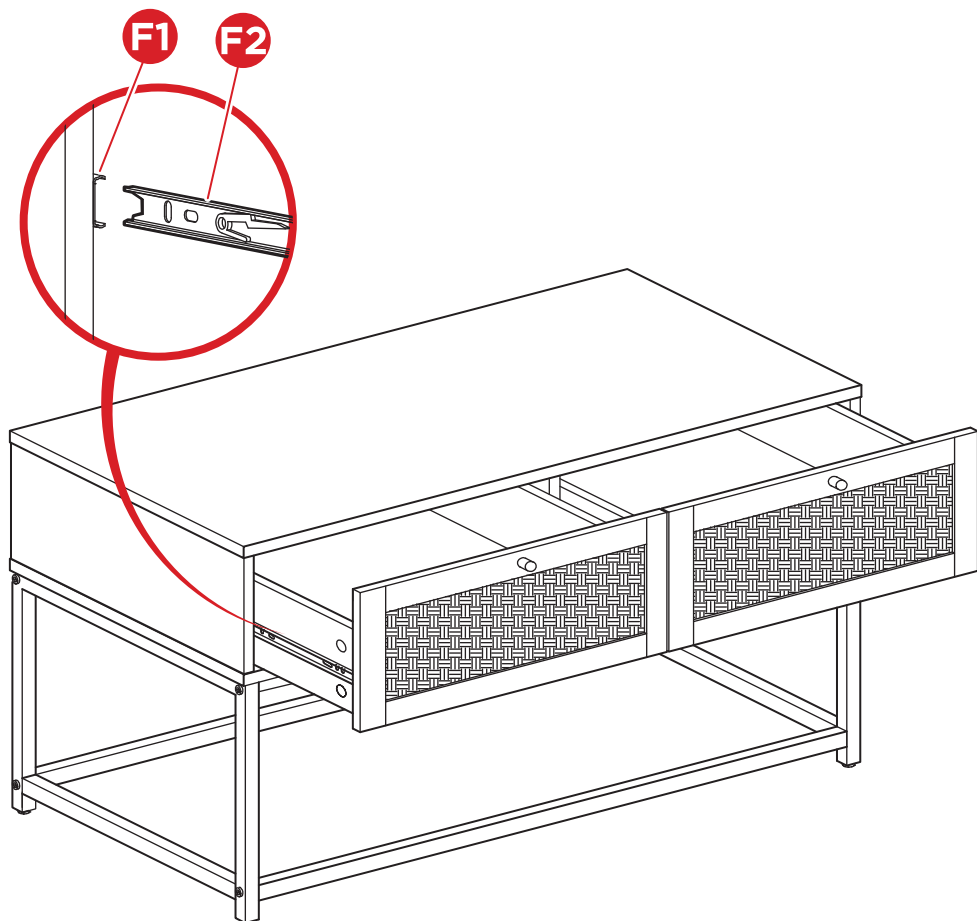
Attach the base assembly to the cabinet assembly with six **part I bolts**. Attach the two **part 14 frame connectors** to the **part 2 bottom** with four bolts, and the **part 13 side frames** with two bolts.



PRODUCT ASSEMBLY

11

Insert the two drawers into the coffee table assembly.





HELP CENTER



Question about your product? We're here to help. Visit us at:

help.bestchoiceproducts.com



Chat Support



Product Inquiry



Orders FAQ



Product Assembly



Returns & Refunds

PRODUCT WARRANTY INFORMATION

All items can be returned for any reason within 60 days of the receipt and will receive a full refund as long as the item is returned in its original product packaging and all accessories from its original shipment are included. All returned items will receive a full refund back to the original payment method. All returned items will not be charged a re-stocking fee.

All returned items require an RA (Return Authorization) number, which can only be provided by a Best Choice Products Customer Service Representative when the return request is submitted. Items received without an RA may not be accepted or may increase your return processing time. Once an item has been received by Best Choice Products, refunds or replacements will be processed within 5 business days.

All returns must be shipped back to the Best Choice Products Return Center at the customer's expense. If the reason for return is a result of an error by Best Choice Products then Best Choice Products will provide a pre-paid shipping label via email. Boxes for return shipping will not be provided by Best Choice Products, and is the customer's responsibility to either use the original shipping boxes or purchase new boxes.

Pictures may be required for some returns to ensure an item is not damaged prior to its return. Items returned are not considered undamaged until they are received by Best Choice Products and verified as such. All damages to items are the customer's responsibility until the item has been received by and acknowledge by Best Choice Products as undamaged.



WARNING

Manufacturer and seller expressly disclaim any and all liability for personal injury, property damage or loss, whether direct, indirect, or incidental, resulting from the incorrect attachment, improper use, inadequate maintenance, unapproved modification, or neglect of this product.