

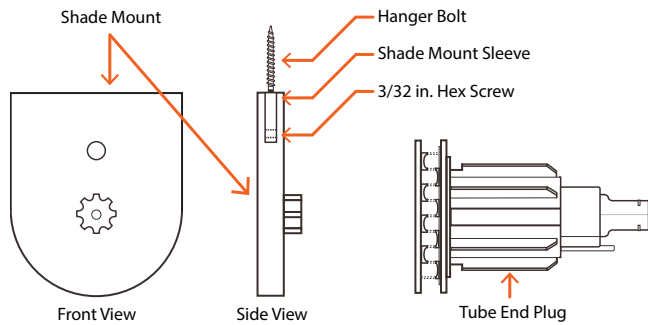
SAVANT

Savant® Shades Floating/Outside Mount (Manual) Drive Side (SHA-B4MANUALxx-xx) Quick Reference Guide



The SHA-B4MANUALxx mount kit is designed for mounting the drive side of a manually operated Savant shade into a window that is flush with the wall and not inset within a window jamb. The mount is installed using a shade mount sleeve and 2-inch hanger bolt that is screwed directly to the wall (if sub wall allows). If required, a drywall anchor can be used. The SHA-B4MANUALxx drive side shade mount should be the first mount installed when installing the floating/outside type mounts. Once installed, this mount should be used as a reference point for installing the remaining mounts for the shade.

Box Contents



- (1) Shade Mount - Floating/Outside Type Mount - Drive Side
- (1) Shade Tube End Plug
- (1) 2-inch Hanger Bolt
- (1) 1-inch Shade Mount Sleeve
- (1) #6 Flat Head Screw
- (1) Ball Chain (6 foot loop)
- (1) #10 Ball Chain Coupler
- (1) Universal Cord Guide Retainer
- (2) #8 Pan Head Retainer Mounting Screws
- (1) Quick Reference Guide (this document)

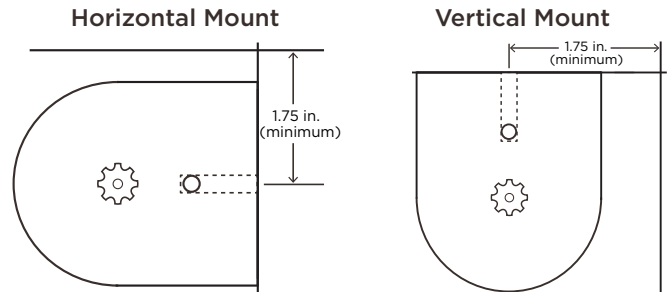
Mounting Instructions

- Place the shade mount onto the wall where it will be mounted. Ensure the following:

- Center point of the shade mount is installed at least $1\frac{3}{4}$ inches (4.45 cm) from any obstructions.
- Use painters tape to reduce marking up the walls whenever drilling is involved.

HELPFUL!

- The $1\frac{3}{4}$ inches shown in the images to the right are the minimum distance needed for the shades to operate properly. If desired, this distance can be adjusted outward.
- To aid in the installation of the mounts, a template (SHA-INSTEMP-xx) is available. This template contains the holes and required spacing needed to install any of the Savant system shade mounts.



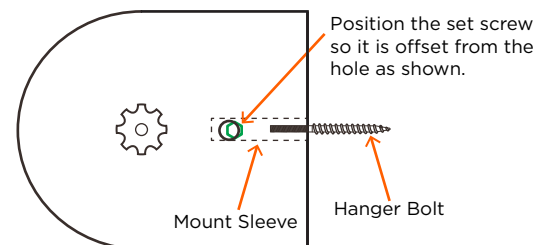
- Install the hanger bolt into a wall or similar leaving $\frac{1}{2}$ inch (1.27 cm) of machine thread exposed. Use the diagrams above.

IMPORTANT! Savant recommends using a hanger bolt installation tool (8-32 thread) to screw the bolt into the wall. **DO NOT** use the provided sleeve to drive the hanger bolts into the wall as damage to the sleeve will occur.

- Install the supplied #6 flat head screw $\frac{9}{16}$ inch (1.43 cm) directly above or below the hanger bolt (measurements are made from the center point of the hanger bolt). When the shade mount is installed, this screw sits inside the opening in the rear of the shade mount to keep the mount from twisting.

- Screw the mounting sleeve onto the hanger bolt so the hex head set screw in the sleeve is positioned slightly offset from the hole in the shade mount (see diagram to the right). Leaving the set screw offset will allow the shade mount to be pulled tight to the wall in the next step.

- Slide the shade mount over the sleeve until the set screw is visible from the hole on the side of the mount. With a $\frac{3}{32}$ inch hex wrench, turn the set screw counterclockwise to back off the set screw until it rests within the hole on the side of the mount. This pulls the mount tight against the wall or ceiling.



- Verify the shade mount is tight to the wall or ceiling. If not, turn-in the set screw, remove the shade mount, and adjust the mounting sleeve to ensure the mount is pulled tight against the wall or ceiling.
- Once installed, verify the mount is secure and tight to the wall. Use the SHA-B4MANUALxx shade mount just installed as a guide for when installing the idler side mount and any other required shade couplers.

With all shade mounts installed, the shade tube assembly, ball chain, and ball chain retainer can be installed. For step by step instructions on finishing the installation, refer to the Manual Shades section of the **Shades Installation and Wiring Guide (009-1532-xx)** found on the Savant Customer Community.