

FLEXSTEEL®

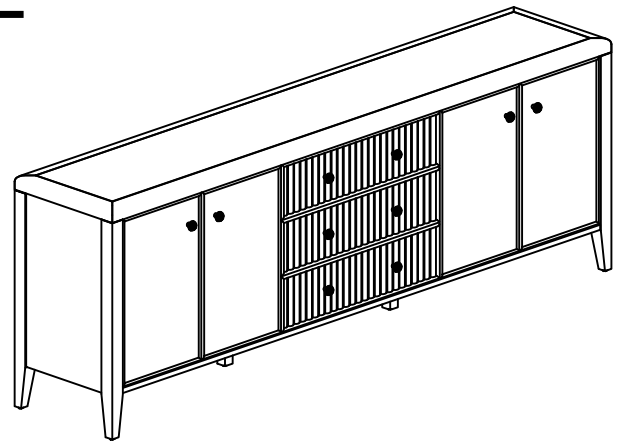
W1018-063

Large Entertainment Base

IMPORTANT NOTES

Carefully remove all the parts from the carton and put them individually on a soft cloth to prevent damage to the parts.

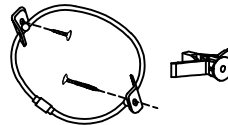
We have taken great care in the design of this product and request that you carefully and accurately follow our assembly instructions to ensure proper set-up. We recommend at least two adults assemble this product.



Hardware List

Assembly Instruction 1/3

Tip Restraint Kit
1 set



IMPORTANT NOTES

- Do not tighten up all the screws until each part is properly assembled.
- Use a soft cloth between these parts and the floor.
- We recommend this product be assembled by at least two adults.

STEP 1

Remove knobs from inside each door and drawer using a Phillips Head Screwdriver (not included.) Reattach the knobs to the outside of the door and drawer using the same bolts.. (See Figure 1, 2, 3, 4).

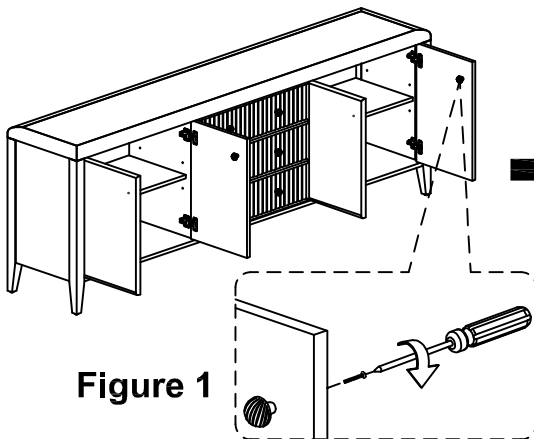


Figure 1

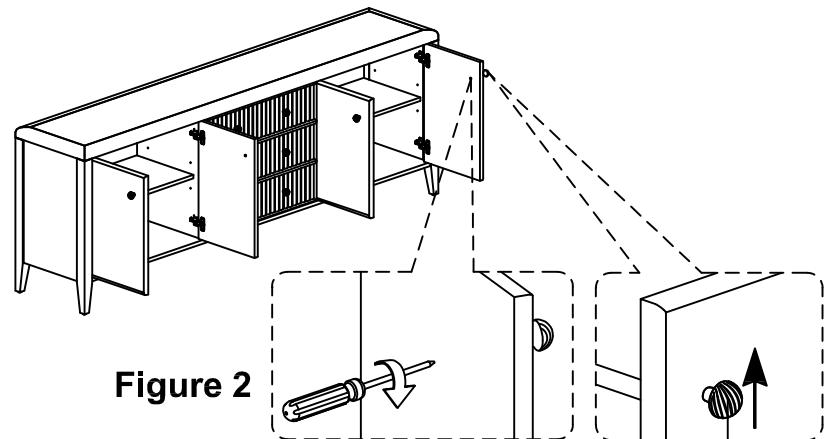


Figure 2

Note: Knob at door front and the grooves on knob straight upward

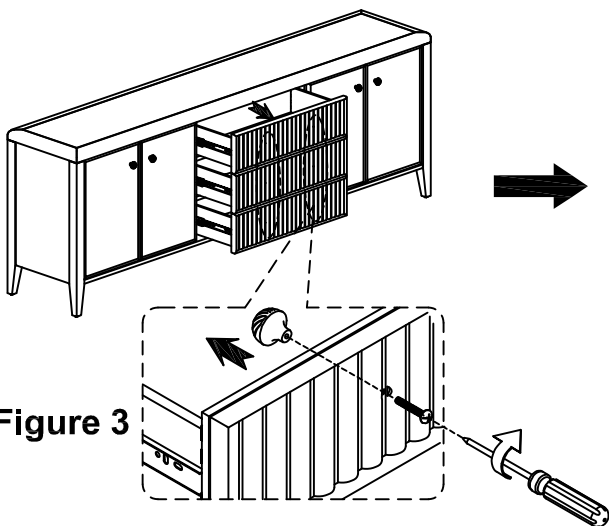


Figure 3

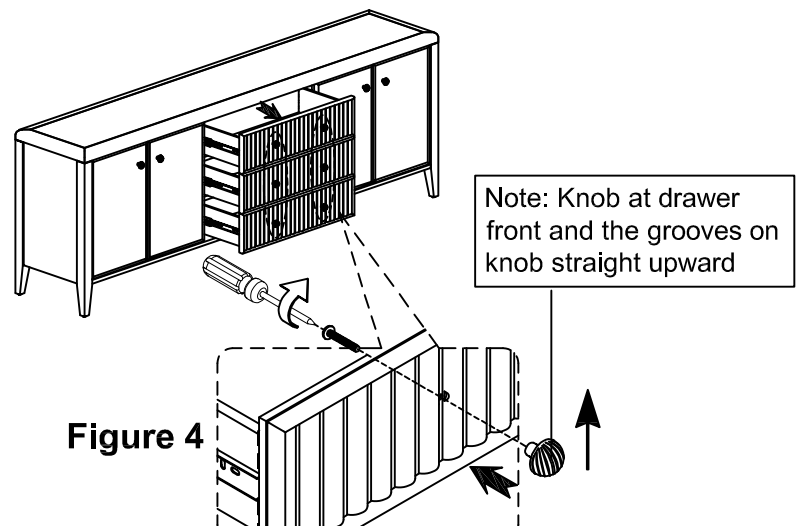


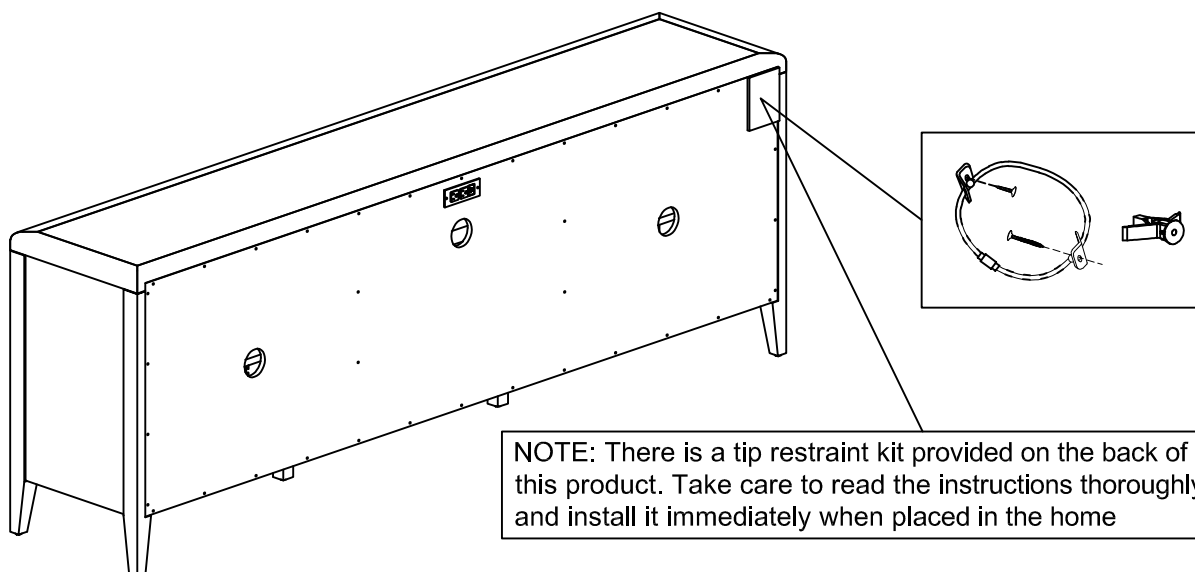
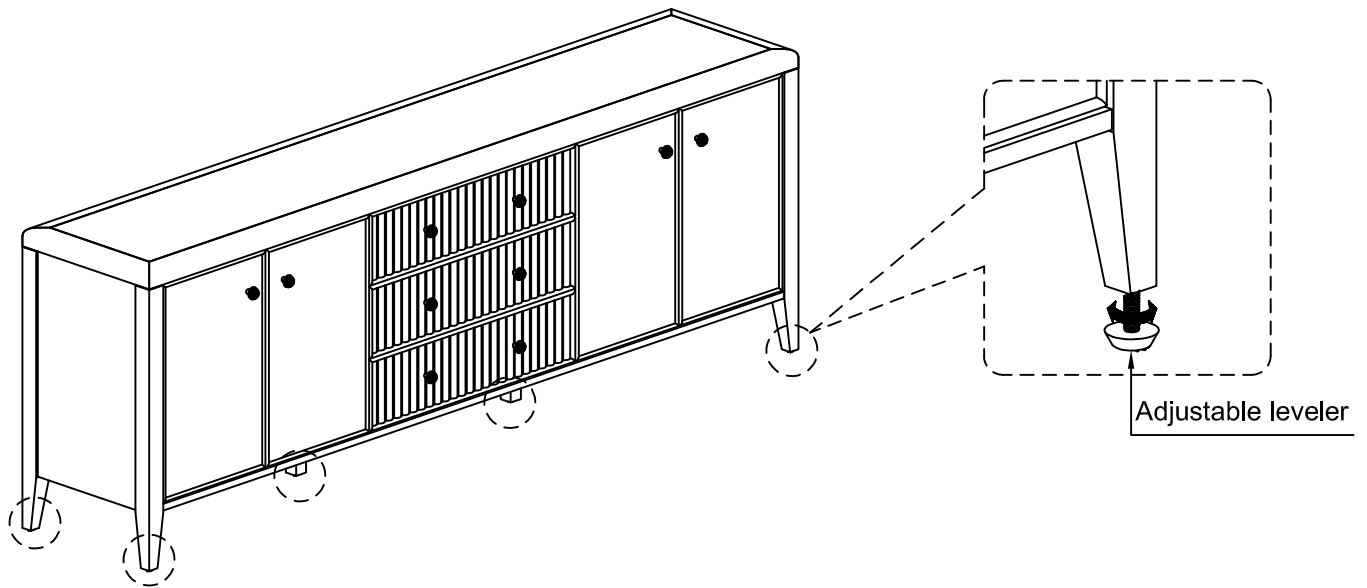
Figure 4

Note: Knob at drawer front and the grooves on knob straight upward

STEP 2

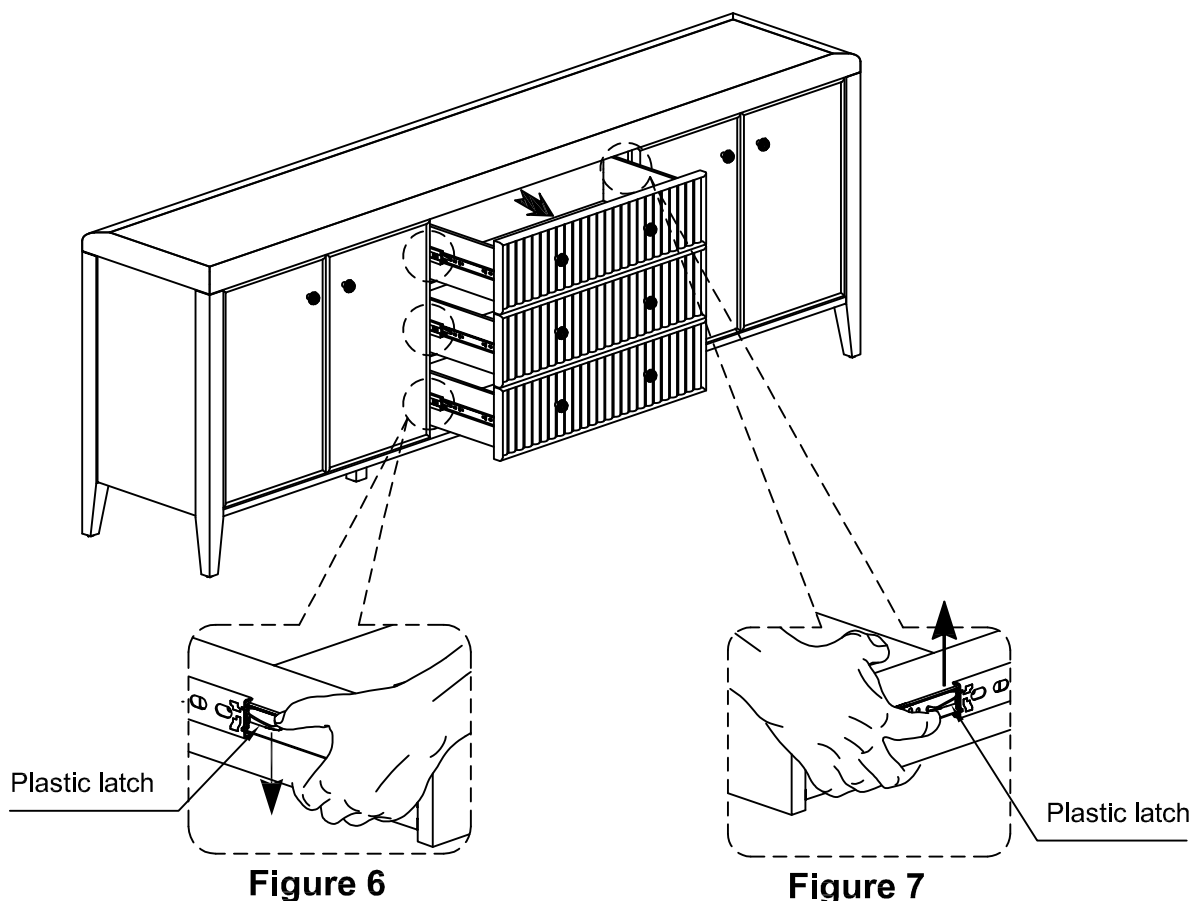
Adjust the levelers underneath each leg until the furniture is level. (See Figure 5).

Figure 5



Drawer Removal

To remove the drawer, please pull the drawer all the way out, then simultaneously press the plastic latch of the ball bearing glide up on one side and down on the other side, and then pull the drawer completely out. (See Figure 6, 7).



CARE INSTRUCTIONS

- To avoid scratches, do not place sharp or jagged objects directly on the table top.
- Do not place hot items directly on the table top.
- Use placemats or trivets under hot items and coasters under beverages to prevent marks and stains.
- Avoid the use of harsh chemicals or abrasive cleaning materials.
- Wipe the table clean with a soft, dry cloth after each use.
- Wipe up spills quickly with a soft, dry cloth.

Flexsteel Industries, Inc.

For Parts or Customer Service call

toll-free:

1-888-415-3979

Monday-Friday

8:00 a.m. -5:00 p.m.

(Central Time)

Email:

customersolutions@flexsteel.com

www.flexsteel.com