

# Installation Instructions

## Volume Control Valve

Record your model number:

Noter le numéro de modèle:

Anote su número de modelo: \_\_\_\_\_

Français, page 6

Español, página 10

KALLISTA®

# Thank You for Choosing KALLISTA

---

Need help? Contact our Customer Care Center.

- 1-888-4-KALLISTA (1-888-452-5547)
- **Service parts:** visit the product page at [kallista.com](http://kallista.com)
- **Care and cleaning:** [kallista.com/resources/product-care](http://kallista.com/resources/product-care)
- **Patents:** [kohlercompany.com/patents](http://kohlercompany.com/patents)

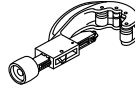
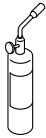
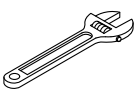
## Warranty

---

This product is covered under the **KALLISTA® Five-Year Limited Warranty**, found at [kallista.com/resources/warranty](http://kallista.com/resources/warranty). For a hardcopy of warranty terms, contact the Customer Service Department.

## Tools and Materials

---



Solder

Tube Cutter

Sealant Tape

### Plus:

- 1/2" or 3/4" Nominal Copper Tubing and Fittings

# Before You Begin

---



**WARNING: Risk of scalding.** High water temperature can cause severe burns. Set the valve water temperature at or below 120°F (49°C). Refer to the temperature adjustment instructions for the valve.



**CAUTION: Risk of product damage. Do not apply direct heat to the valve body when soldering.** Excessive heat will damage internal plastic or rubber components and the plaster guard.

Follow all local plumbing and building codes.

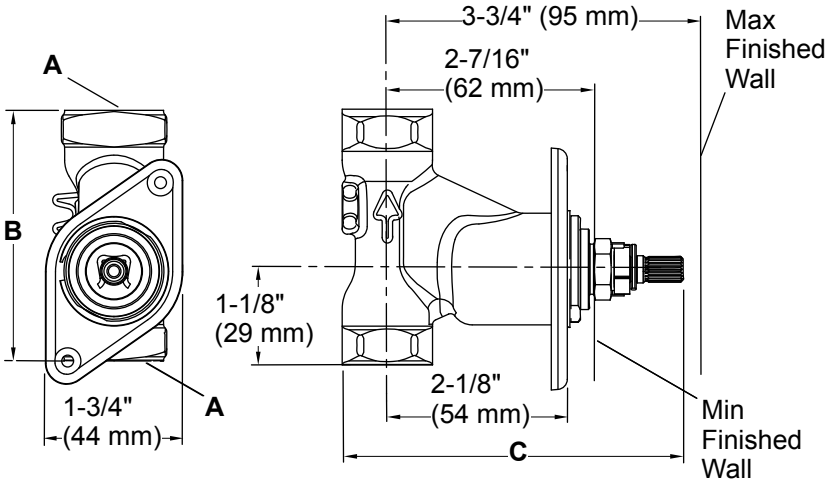
Read these instructions and plan the installation before beginning. Component location, spacing, and situational requirements can vary.

A mixed water supply is required for this valve.

Do not discard the plaster guard from the valve until instructed to do so.

Turn OFF the water supply.

# 1. Install the Valve



	<b>A</b>	<b>B</b>	<b>C</b>
<b>P29527</b>	1/2 NPT	3" (76 mm)	4" (102 mm)
<b>P29528</b>	3/4 NPT	3-3/16" (81 mm)	4-1/8" (105 mm)

## Construct the Framing and Install the Rough Plumbing

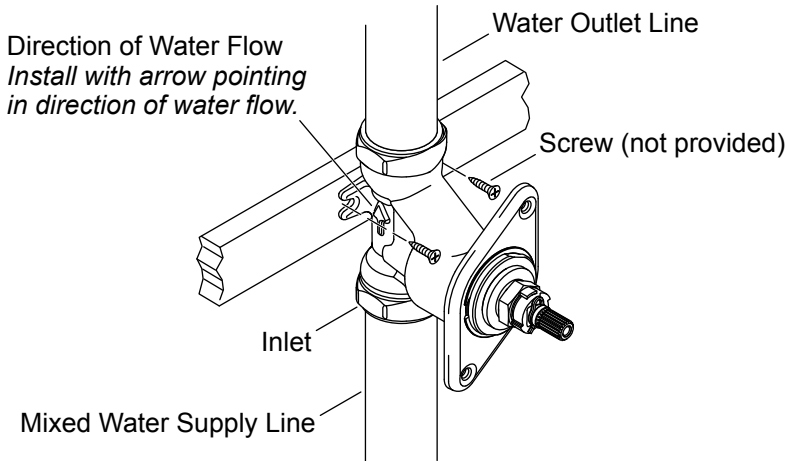
- Determine the desired location for the valve and construct suitable stud and support framing.
- Use the appropriate diameter of copper tubing and fittings upstream and downstream of the valve.

## Prepare the Rough Wall

- Provide a 2-7/8" (73 mm) to 3-1/8" (79 mm) diameter hole in the rough wall material for the plaster guard.

## 2. Complete the Installation

---



**NOTE:** The valve is marked with an arrow to identify the required water flow direction.

- Flush the mixed water supply line to remove any debris.
- Use thread sealant and connect the mixed water supply line to the valve inlet port.
- Connect the water outlet line to the valve.
- Secure the water supply tubing to the support framing.
- Secure the valve with screws as shown.
- Turn ON the water supply to the valve.
- Check all connections for leaks, and make adjustments as needed.
- Turn OFF the water.

**IMPORTANT!** The finished wall surface should not extend beyond the installed plaster guard.

- Complete the finished wall.
- Remove and discard the plaster guard.
- Install the trim according to the instructions provided with the trim.