



Archer® | K-1122-HR

60" x 32" alcove heated whirlpool bath, right drain

Features

- Single-speed whirlpool offers performance and value with 8 fully adjustable jets
- Hydromassage flow and direction can be controlled at each jet
- Built-in heater
- Comfort Depth® design offers a convenient 19" step-over height while retaining the same depth as a standard 21" bath
- Integral lumbar support
- Slotted overflow allows for deep soaking
- Integral apron
- Integral flange helps prevent water from seeping behind wall and simplifies alcove installation
- Coordinates with other products in the Archer collection



Available Colors/Finishes

Color tiles intended for reference only.

- 0 White
- 96 Biscuit
- 95 Ice Grey
- 7 Black Black



Codes/Standards

ADA compliant when installed to the specific requirements of these regulations.



ASME A112.19.7/CSA B45.10
CSA B45.5/IAPMO Z124
UL 1795
ADA
ICC/ANSI A117.1
UL Listed

Technical Information

All product dimensions are nominal.

Drain Location:	Right
Drain Hole Diameter:	2-1/4" (57 mm)
Minimum Flat for Door:	2-9/16" (65 mm)
Basin Area, Bottom:	45-1/8" x 19-11/16" (1146 mm x 500 mm)
Basin Area, Top:	52-3/4" x 25-5/16" (1340 mm x 643 mm)
Water Depth:	15" (381 mm)
Water Capacity:	58 gal (219.6 L)
Minimum Floor Load:	49 lbs/ft ²
Weight:	140 lbs (63.5 kg)

Material

- Acrylic

Recommended Products/Accessories

- K-1491 Bath/whirlpool pillow, removable
- K-1601 Bath/whirlpool footstop, removable
- K-23726 Drain treatment
- K-23732 Tub & shower cleaner

Required Products/Accessories

- K-7271 Slotted overflow brass bath drain
- or
- K-7272 Slotted overflow bath drain

Required Electrical Service

Two dedicated circuits required, protected with Class A Ground-Fault Circuit-Interrupter (GFCI). Outside North America, this device may be known as a Residual Current Device (RCD).

Pump:	120 V, 15 A, 60 Hz
Heater:	120 V, 15 A, 60 Hz

Electrical Component Ratings

Pump:	120 V, 7 A, 60 Hz
Number of Speeds:	Single
Heater:	120 V, 12.5 A, 60 Hz, 1500 W

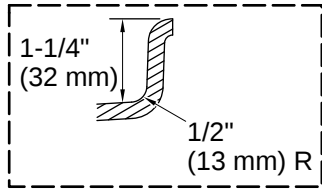
Warranty

See website for detailed warranty information.

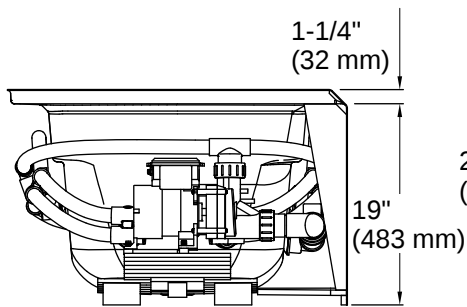
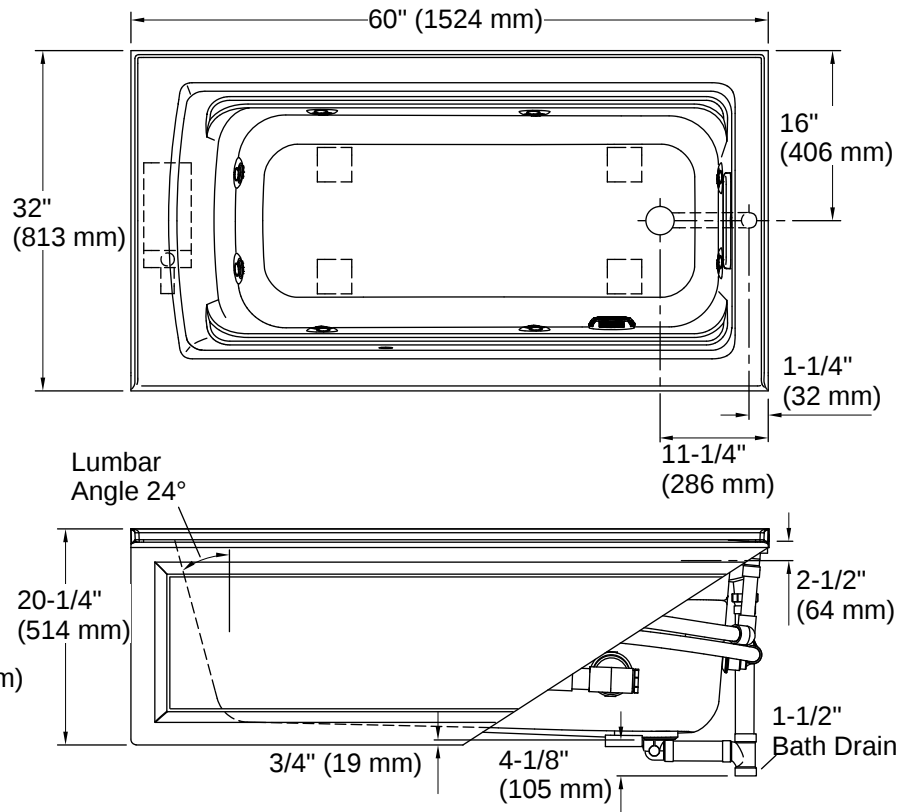
KOHLER® Plastic Baths and Shower Bases Lifetime Limited Warranty|KOHLER® Hydrotherapy Components Five-Year Limited Warranty



No change in measurements if connected with drain illustrated. (K-7272)



Integral Flange Detail



Installation

- Right drain
- Alcove
- Requires Clearflo slotted overflow bath drain (sold separately)

Installation Notes

Install this product according to the installation instructions.

Measure your actual product for rough-in details.

The hot water supply should be 70% of the capacity of the bath or greater. Installations will vary.

ADA compliant when installed to the specific requirements of these regulations.

