

ASSEMBLY&INSTALLATION

Please read carefully and save these instructions,as you may need them a later date.

CAUTION

Turn off the main power at the circuit breaker before installing the fixture, in order to prevent possible shock.

GENERAL

All electrical connections must be in accordance with local and National Electrical Code (N.E.C) standards. If you are unfamiliar with proper electrical wiring connections obtain the services of a qualified electrician.

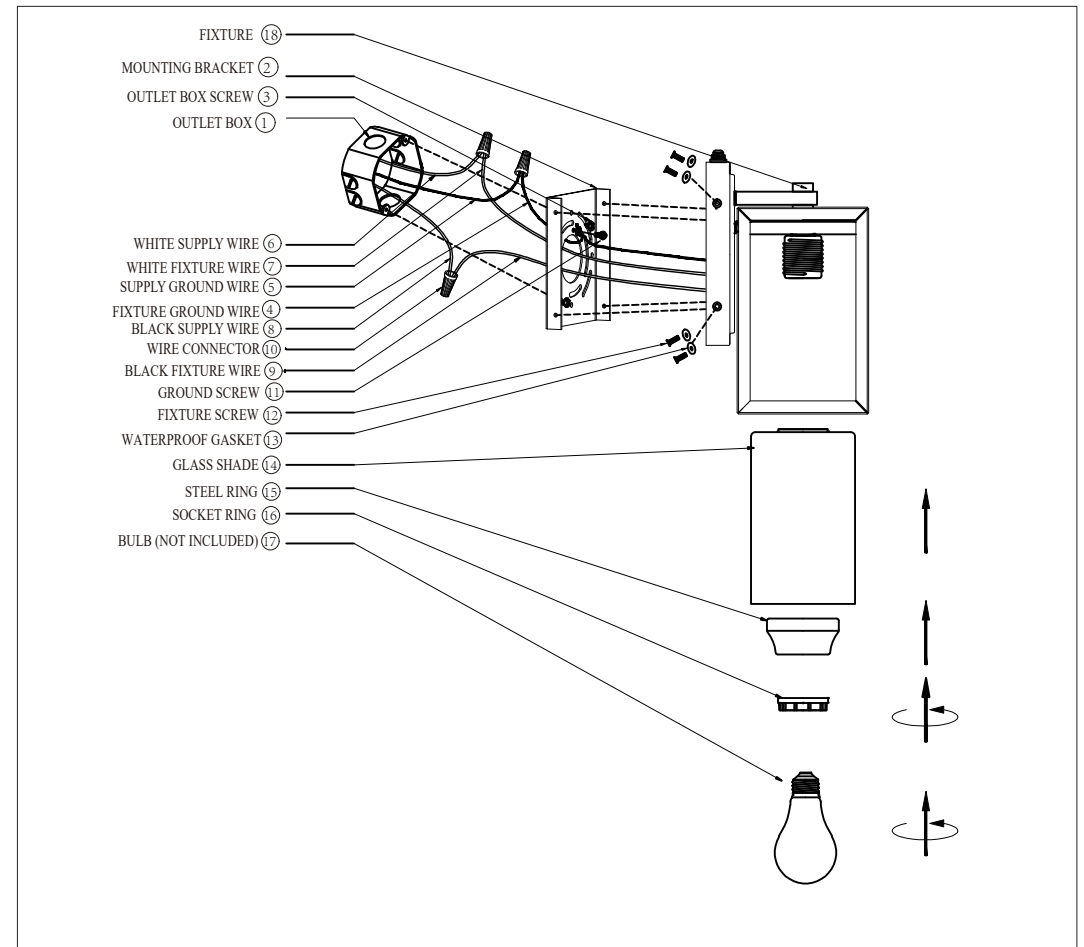
Remove the fixture and the mounting package from the box and make sure that no parts are missing by referencing the illustrations on the installation instructions.

ASSEMBLY AND INSTALLATION

- Carefully unpack the fixture, lay out all parts on a clean surface.
- Mount the mounting bracket (2) to the outlet box(1) (not included) using the outlet box screws (3).
- Wrap the ground wire (4) from the fixture around the ground screw (11) on the mounting bracket (2). Use a wire connector (10) to connect the ground wire (4) from the fixture to the ground wire (5) from the outlet box.
- Use a wire connector (10) to connect the white wire (7) from the fixture to the white wire (6 neutral wire) from the outlet box. Use a wire connector (10) to connect the black wire (9) from the fixture to the black wire (8 live wire) from the outlet box. Position the wires inside the outlet box
- Place the fixture(18) onto the mounting bracket (2), and secure it into place using the waterproof gasket(13) and fixture screw(12) provided.
- Remove the pre-installed socket rings (16) and steel rings (15) from the light fixture(18), add the glass shades (14) and re-secure steel rings (15) and socket rings (16)
- To prevent moisture from entering the outlet box and the fixtures mounting plate causing a short, apply a bead of clear caulk to outline the outside of the fixtures mounting plate where it meets the wall. Leave a small space at the bottom to allow any condensation or moisture to escape.

ASSEMBLY AND INSTALLATION (CONT.)

- Install the bulb (17 not included) into the socket. Make sure they do not exceed the maximum wattage specified on the fixture's wattage rating label.
- Turn on the power.
- This fixture includes a photocell sensor which controls the electric current to operate the fixture, based on available light levels. This turns on the bulb in absence of light and turns it off again when light is detected

INSTALLATION IS NOW COMPLETED

ITEM NO.: 4541,4551,4561