

# Installation Instructions

## Freestanding Bath

Record your model number:  
Noter le numéro de modèle:  
Anoté su número de modelo: \_\_\_\_\_

Français, page 8  
Español, página 14

**KOHLER**<sup>®</sup>

# Thank You for Choosing KOHLER

---

Need help? Contact our Customer Care Center.

- USA/Canada: 1-800-4KOHLER (1-800-456-4537)
- Mexico: 001-800-456-4537
- For service parts information, visit [kohler.com/serviceparts](http://kohler.com/serviceparts).
- For care and cleaning information, visit [kohler.com/clean](http://kohler.com/clean).
- Patents: [kohlercompany.com/patents](http://kohlercompany.com/patents)

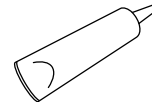
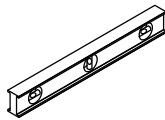
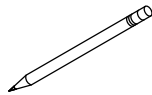
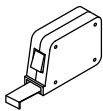
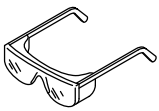
## Warranty

---

This product is covered under the KOHLER® Plastic Baths and Receptors Lifetime Limited Warranty, found at [kohler.com/warranty](http://kohler.com/warranty). For a hardcopy of warranty terms, contact the Customer Care Center.

## Tools and Materials

---




100% Silicone Sealant    Sealant Tape

### Plus:

- Drop Cloth
- Lifting Straps
- 1-1/2" PVC Pipe [Approximately 6" (152 mm) Long]
- 1-1/2" 11-1/2 NPSM Adapter
- PVC Glue

## Before You Begin

---

 **CAUTION: Risk of personal injury.** This bath is heavy. Obtain sufficient help and use lifting straps to lift or move the bath.

**IMPORTANT!** To ensure a successful installation, install the bath on a level floor.

**IMPORTANT!** Drain parts are included in a small box within the carton. Locate and retain the small box before discarding the carton and packing material.

Follow all local plumbing and building codes.

Unpack and inspect the product for damage. Return the product to the carton until installation.

To simplify future maintenance, provide access to plumbing connections.

This bath will not easily fit through doorways. Carefully plan how to move the bath into the installation area.

Install the bath to an adequately supported, level finished floor.

This bath is designed for freestanding installation only.

This bath features an integral overflow.

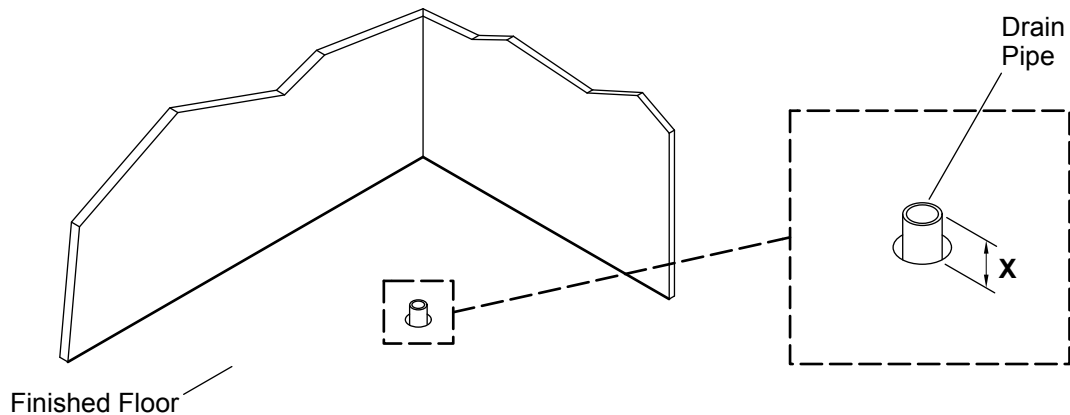
Install a floor- or ceiling-mount bath filler with this freestanding bath.

Your product may appear different from the one illustrated. The installation procedure is the same.

This bath conforms to CSA B45.5/IAPMO Z124.

# 1. Prepare the Site

---



**NOTICE:** Measure your product for site preparation. Note the **model number** on the packaging label, then visit the product page at [kohler.com](http://kohler.com) for more information.

**NOTICE:** Provide adequate floor support.

- Determine the location of the bath.
- Position the bath so that the overflow side of the bath faces the preferred direction.
- Make sure the subfloor is level and offers adequate support for the bath.
- Verify that the finished floor is level before proceeding.

## Brass Installation

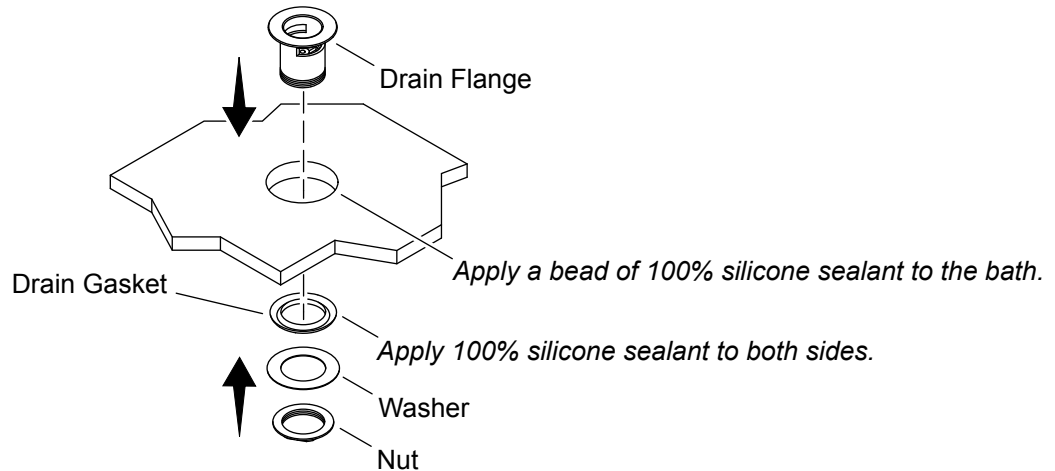
- Insert the drain body into the bath.
- Measure the distance "X" between the bottom of the drain body and the floor.
- Cut the pipe to extend "X" height above the floor.

## PVC Installation

- Insert the drain body into the bath.
- Thread on a 1-1/2" 11-1/2 NPSM PVC adapter.
- Measure the distance "X" between the bottom of the adapter and the floor.
- Cut the pipe to extend "X" height above the floor.

## 2. Install the Drain

---



**⚠ CAUTION: Risk of personal injury.** This bath is heavy. Obtain sufficient help and use lifting straps to lift or move the bath.

**NOTE:** If your model has a factory-installed drain, proceed to the “Install the Bath” section.

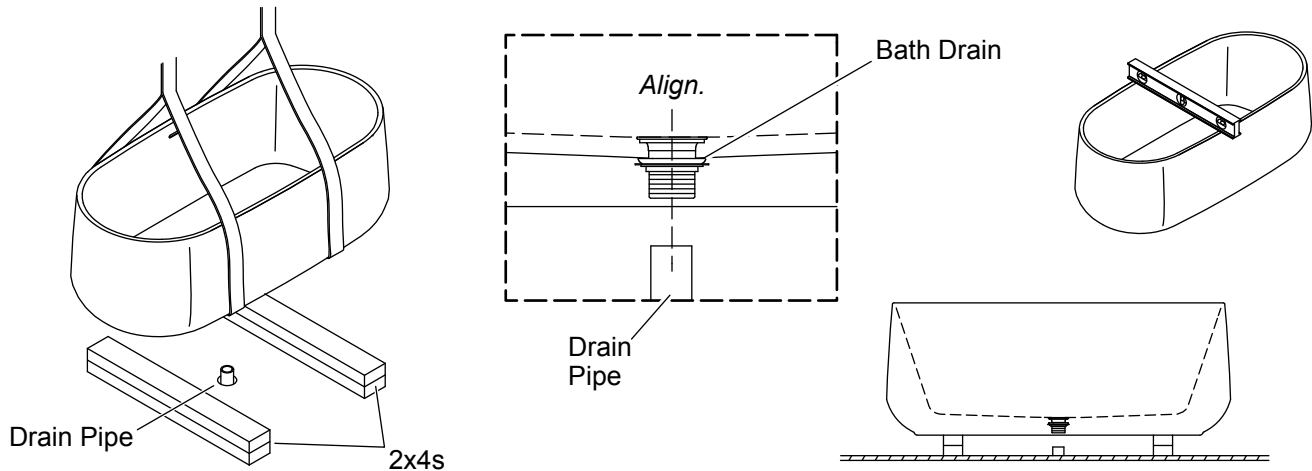
- Place a drop cloth on the floor.
- With assistance, use lifting straps to carefully place the bath on its side.

**NOTE:** The drain cover and gaskets are included in a small box located within the carton.

- Apply a bead of 100% silicone sealant between the drain flange and the bath.
- Apply 100% silicone sealant to both sides of the drain gasket.
- Apply sealant tape to the drain flange threads.
- Install the drain flange to the bath.
- Install the drain gasket and washer. Secure the drain flange with the nut.

### 3. Install the Bath

---



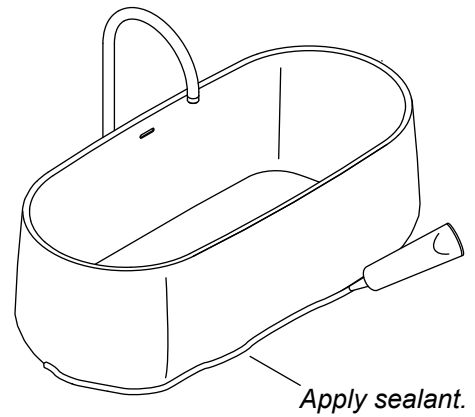
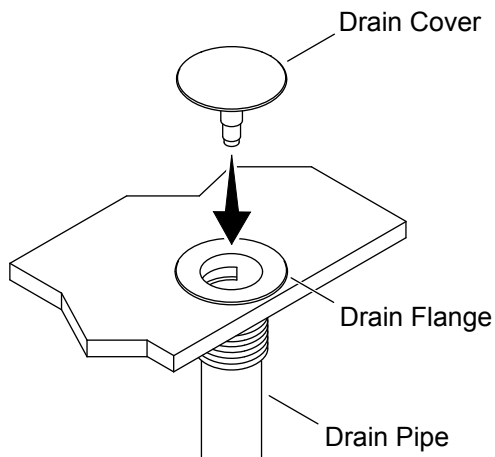
**⚠ CAUTION: Risk of personal injury.** This bath is heavy. Obtain sufficient help and use lifting straps to lift or move the bath.

**⚠ CAUTION: Risk of property damage.** Make sure any factory-installed drain connections have not become loose during shipping. Tighten as needed to prevent leakage.

- Stack together two 6' (1.8 m) lengths of 2x4 lumber. Secure the stacked 2x4s together with nails or screws.
- Position the stacked 2x4s on each side of the drain pipe to temporarily support the bath.
- With help, use lifting straps to carefully lift the bath into position on the 2x4s so the bath drain is over the drain pipe.
- Carefully reposition the bath as needed so the bath drain is directly over the drain pipe.
- Apply a bead of 100% silicone sealant to the bottom of the bath.
- Use lifting straps and get additional assistance to remove the 2x4 supports and carefully set the bath on the floor.
- Adjust the bath position as needed to ensure that the drain pipe is centered in the bath drain hole.
- Verify that the bath is level. Install shims as needed.

## 4. Complete the Installation

---



**⚠ CAUTION: Risk of property damage.** Make sure that a watertight seal exists on all drain connections.

**⚠ CAUTION: Risk of personal injury.** The edges of drain flange openings may be sharp.

**NOTE:** The drain cover is included in a small box located within the carton.

**NOTE:** Make sure there is no interference with the drain flange openings.

- For Brass Installation:** Apply sealant tape between the drain flange and the drain pipe to create a watertight seal.
- For PVC Installation:** Apply 100% silicone sealant between the drain flange and the 1-1/2" 11-1/2 NPSM adapter to create a watertight seal.
- For PVC Installation:** Apply PVC glue between the 1-1/2" 11-1/2 NPSM adapter and PVC pipe to create a watertight seal.
- Insert the drain cover into the drain flange.
- Press the drain cover several times to make sure the drain opens and closes properly.
- Apply a thin, continuous bead of clear or color-matched silicone sealant to the seam between the bath and the finished floor.
- Install the bath filler following the faucet manufacturer's instructions.
- Close the bath drain.
- Fill the bath to the overflow and check the drain connections for leaks.