



# Iron Plains®

30" rectangular drop-in/undermount bathroom sink  
K-20212

## Features

- Large rectangular basin
- No faucet holes; requires wall- or counter-mount faucet
- Overflow drain

## Material

- KOHLER® enameled cast iron

## Installation

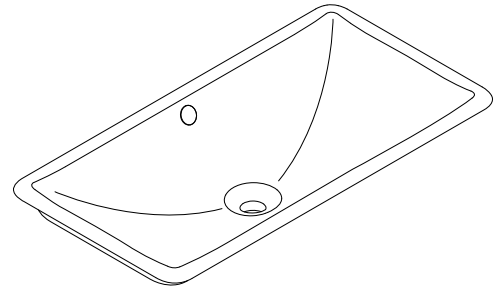
- Drop-in or undermount

## Recommended Products/Accessories

- K-23726 Drain treatment
- K-23725 Cast iron cleaner

## Included Components

- 1193643 Basin clamps



ADA

CSA B651

## Codes/Standards





ASME A112.19.1/CSA B45.2  
ADA  
ICC/ANSI A117.1  
CSA B651

## KOHLER® Enameled Cast Iron Kitchen and Bathroom Sink Lifetime Limited Warranty

See website for detailed warranty information.

## Available Colors/Finishes

*Color tiles intended for reference only.*

Color	Code	Description
	0	White
	96	Biscuit
	NY	Dune
	7	Black Black™

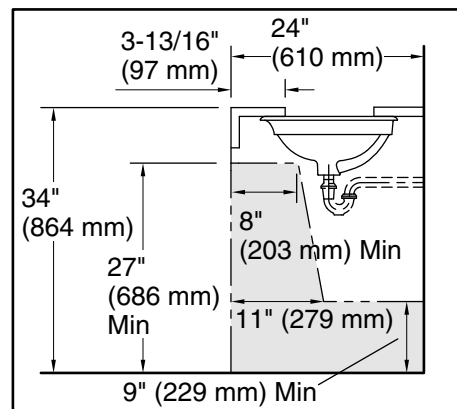
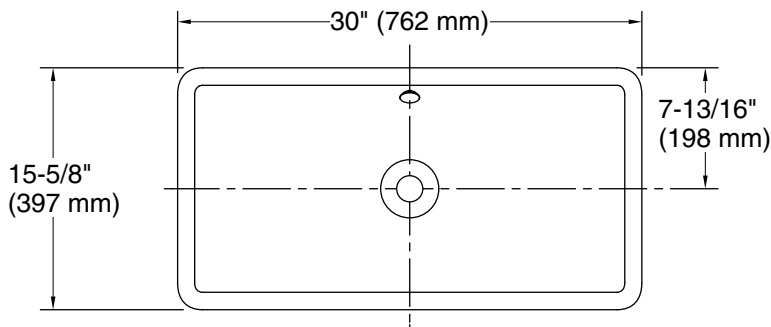
1-800-4KOHLER (1-800-456-4537)

Kohler Co. reserves the right to make revisions without notice to product specifications.

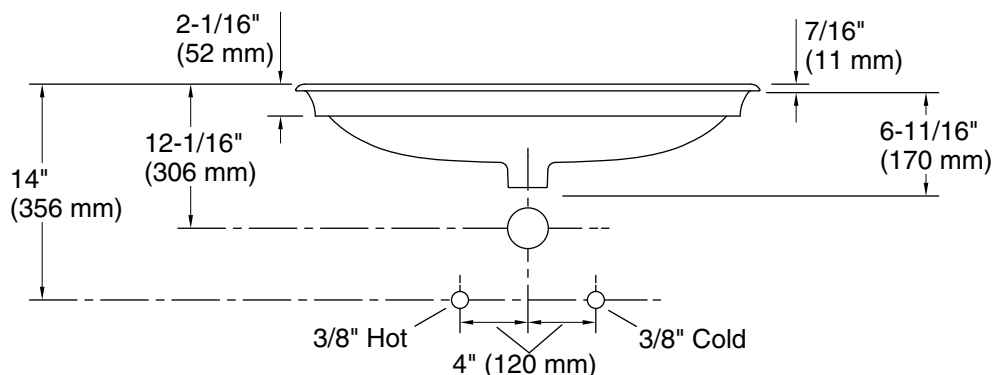
For the most current Specification Sheet, go to [www.kohler.com](http://www.kohler.com) USA or [www.kohler.ca](http://www.kohler.ca) Canada

8-21-2025 20:18 - US/CA

THE BOLD LOOK  
OF **KOHLER**®



Recommended ADA Installation



### Technical Information

All product dimensions are nominal.

Basin configuration: Single Bowl

Bowl area (Only):  
 Length: 28-13/16" (732 mm)  
 Width: 14-7/16" (367 mm)  
 Bowl depth: 4-3/4" (121 mm)  
 Water depth: 3-5/16" (84 mm)

With overflow: Yes

Drain hole: 1-3/4" (44 mm)

Template: 1319048-7, required, included

### Notes

Install this product according to the installation instructions.

Countertop manufacturer or cutter must use the cut-out template provided with the product, or a current one provided by Kohler Co. (call 1-800-43-FOCUS). Kohler Co. is not responsible for cut-out errors when the incorrect cut-out template is used.

ADA, CSA B651 compliant when installed to the specific requirements of these regulations.