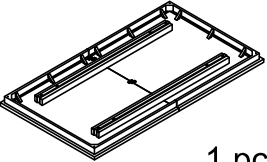
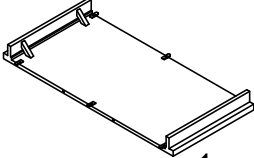
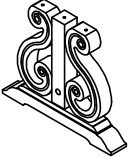
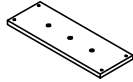
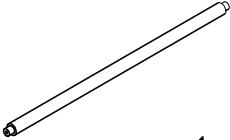








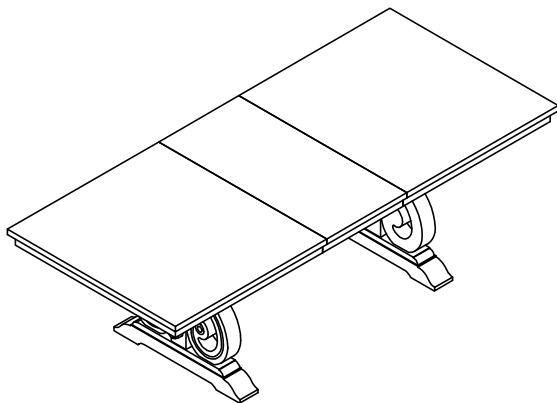


# ASSEMBLY INSTRUCTION

## DINING TABLE

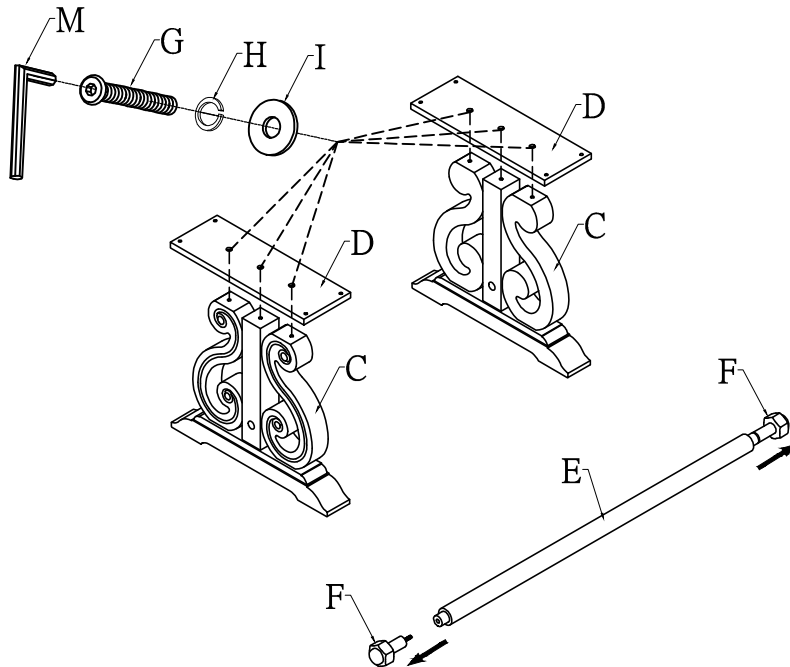
<b>A</b> Table Top  1 pc	<b>B</b> Table Leaf  1 pc	<b>C</b> Leg  2 pcs	<b>D</b> Mounting Plate  2 pcs
<b>E</b> Stretcher  1 pc	<b>F</b> Trim (Lock on both sides of the E)  2 pcs	<b>G</b> Bolt 5/16"*2"  6 pcs	<b>H</b> Lock Washer 5/16"  6 pcs
<b>I</b> Flat Washer 5/16"  6 pcs	<b>J</b> Bolt 1/4"*2"  8 pcs	<b>K</b> Lock Washer 1/4"  8 pcs	<b>L</b> Flat Washer 1/4"  8 pcs
<b>M</b> Allen Wrench 4mm  1 pc			



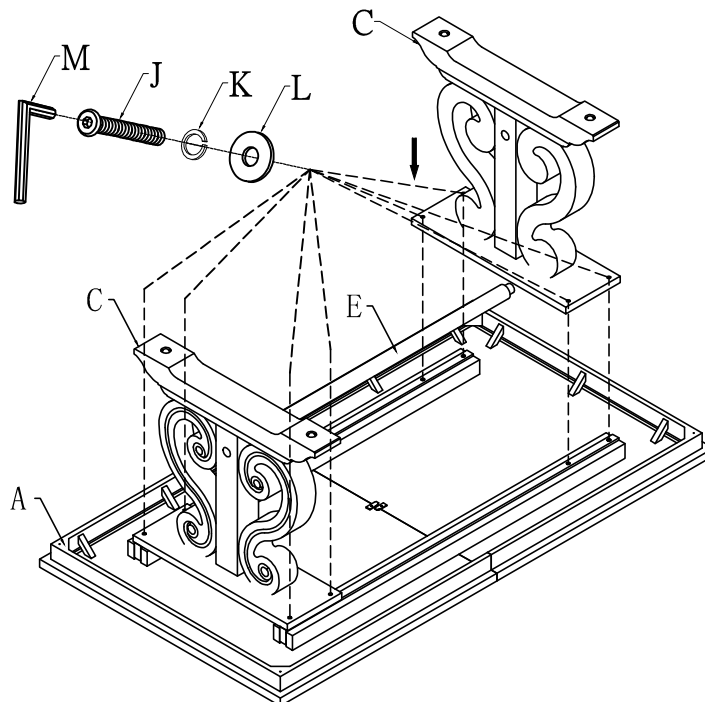
This page lists all the contents included in the box. Please take the time to identify the hardware as well as the individual components to this product. As you unpack and prepare for assembly, place the contents on a carpeted or padded area to protect them from damage.

**1**

Place the Leg(C) down smooth carpet surface. Tighten the Leg (C) and Mounting Plate(D) by Bolts(G), Lock Washers(H) and Flat Washers(I) with Allen Wrench(M). Remove Trim(F) on both sides of Stretcher(E).

**2**

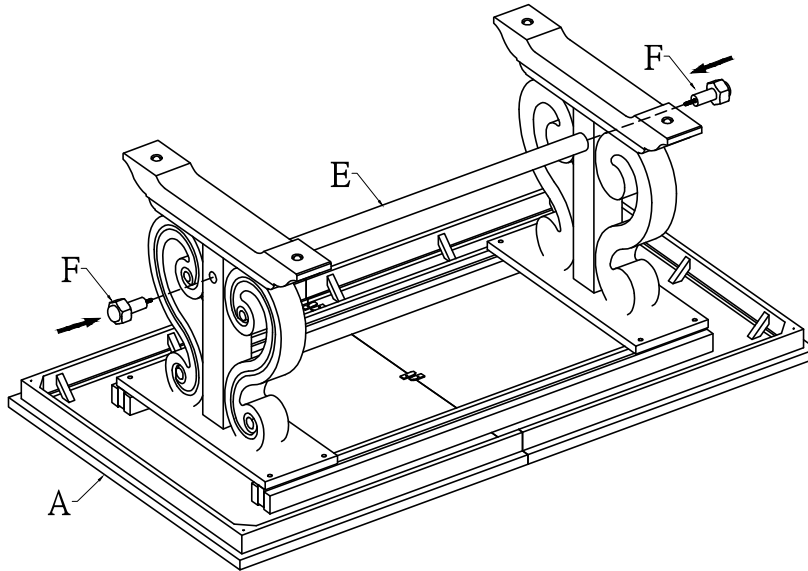
Tighten the Leg(C) and Table Top (A) by Bolts(J), Lock Washers(K) and Flat Washers(L) with Allen Wrench(M) and place the Stretcher(E) penetration Leg (C)



---

**3**

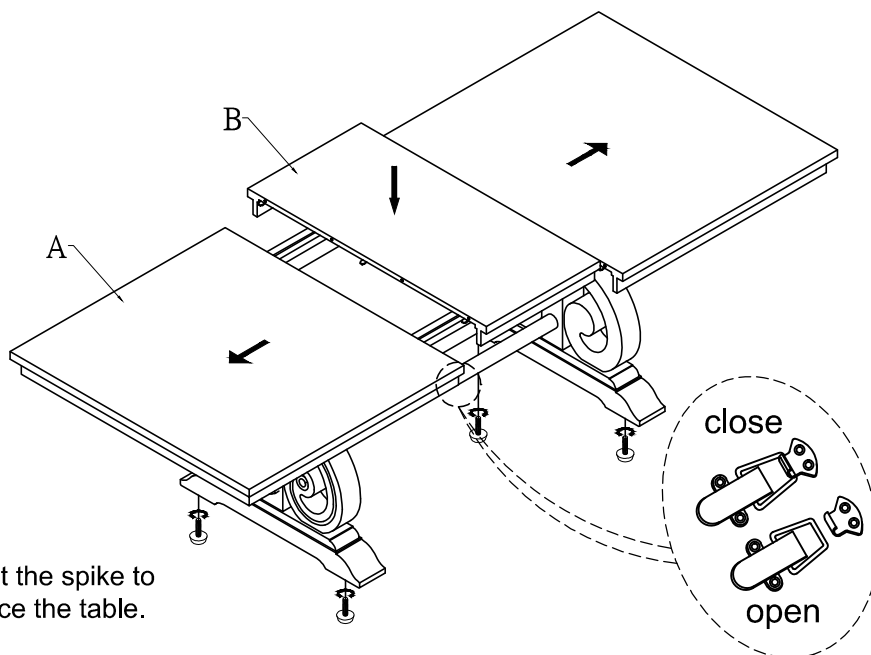
Place the Table Top(A) upside down smooth carpet surface. Tighten the Stretcher(E) by Trim(F).



---

**4**

Open the Table Top(A), put the Left(B) on the slides.



---

**Cleaning & Care**

Treat surface with care. Surface is resistant to scratches but is not scratch resistant. Clean surfaces with a dry or damp soft cloth. Do not use abrasive cleaners. Hardware may loosen over time. Periodically check that all connections are tight.