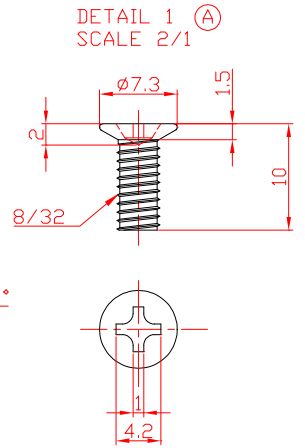
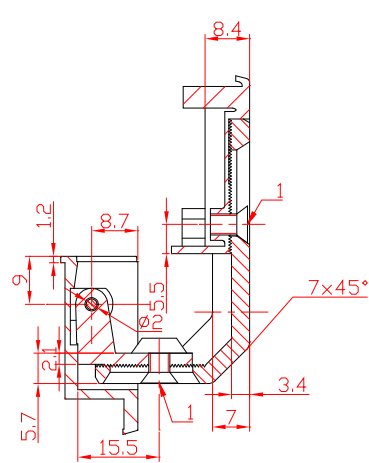


REV: A 04/25/01



WEIGHT: 99g

DRAWN BY: John Lai
SCALE: 1/1
DATE: 5/29/00

UNLESS OTHERWISE SPECIFIED
DIMENSIONS AND TOLERANCING
ARE IN MILLIMETERS (INCHES)

TOLERANCES

.X ± .1
.XX ± .03
.XXX ± .005

HARDWARE RESOURCES
4319 MARLENA ST, BOSSIER CITY, LA 71111

MATERIAL: Zinc Die Cast

PART NAME: Pie Corner Hinge

ITEM NO: 22877-000 (A)

PLATING: Nickel

