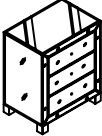




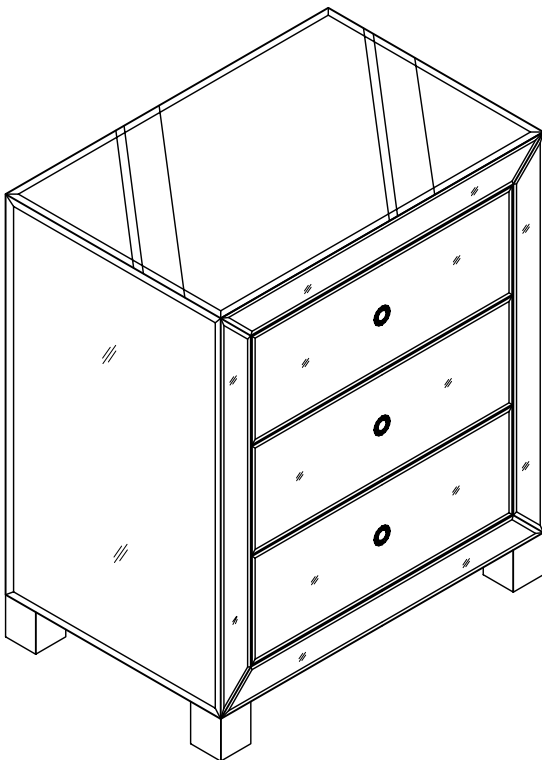


ASSEMBLY INSTRUCTION

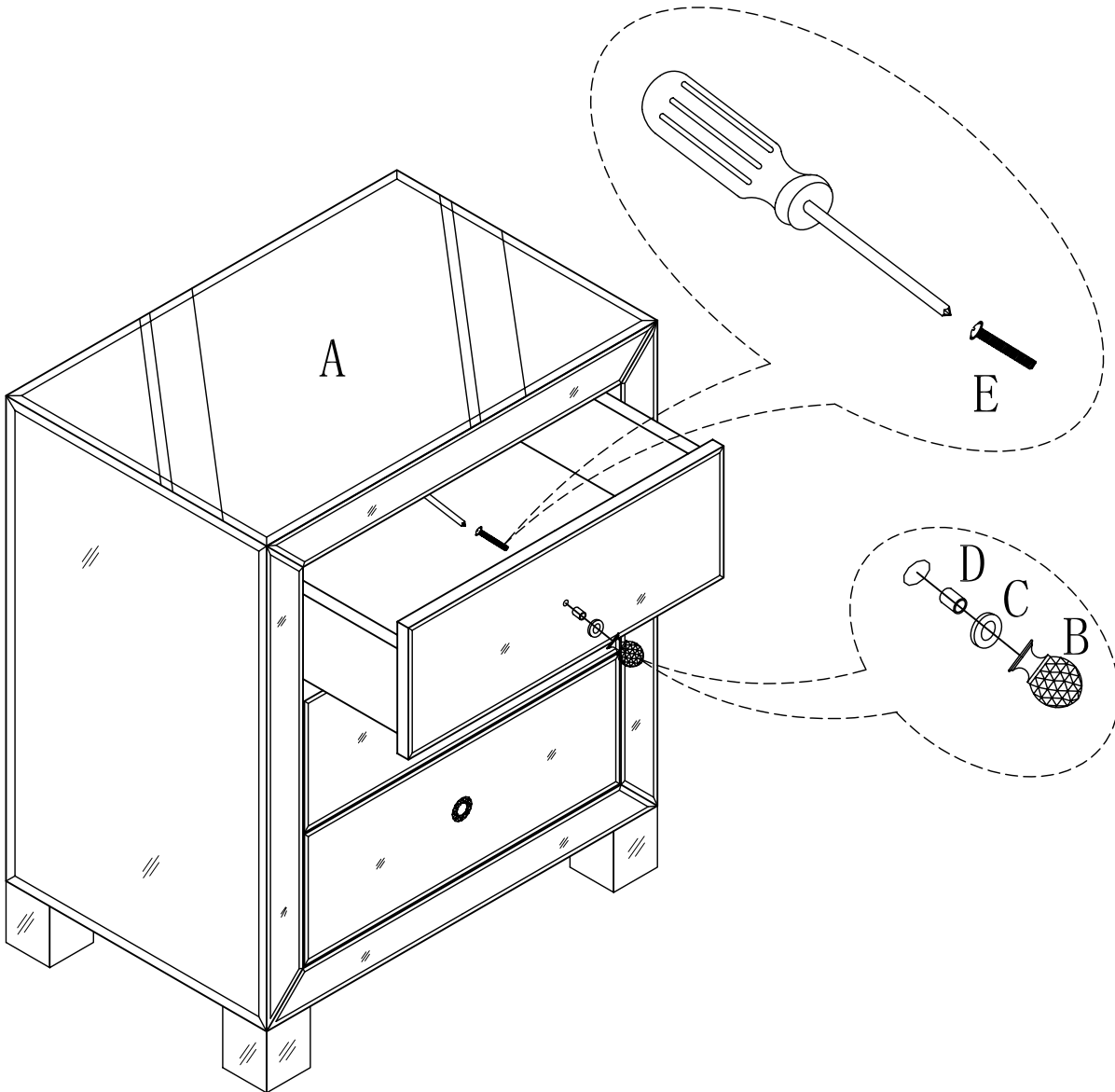
4677(3A) SILVER FINISH MIRROR CABINET

A Cabinet Body	B Drawer Knob	C Rubber Washer	D Metal Tube
			
1PC	3PCS	3PCS	3PCS
E Screw			
			
3PCS			



This page lists all the contents included in the box. Please take the time to identify the hardware as well as the individual components to this product. AS you unpack and prepare for assembly, place the contents on a carpeted or padded area to protect them from damage.

- 1 Remove the Drawer Knob (B) with Rubber Washer (C) and Metal Tube (D) from inside drawer and then attach the Drawer Knob (B) with Rubber Washer (C) and Metal Tube (D) to the drawer front panel by using Screw (E).



Cleaning & Care

Treat surface with care. Surface is resistant to scratches but is not scratch resistant. Clean surfaces with a dry or damp soft cloth. Do not use abrasive cleaners. Hardware may loosen over time. Periodically check that all connections are tight.