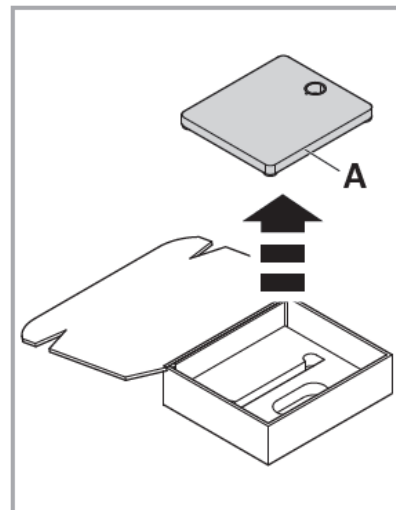
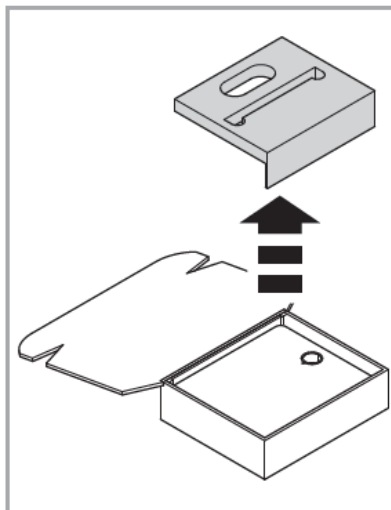
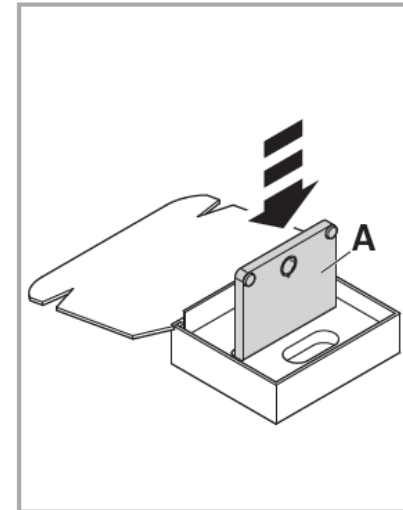
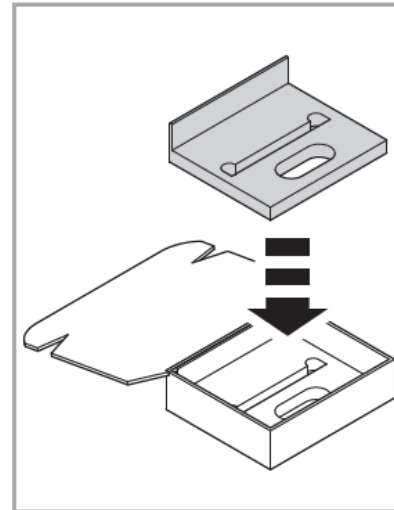
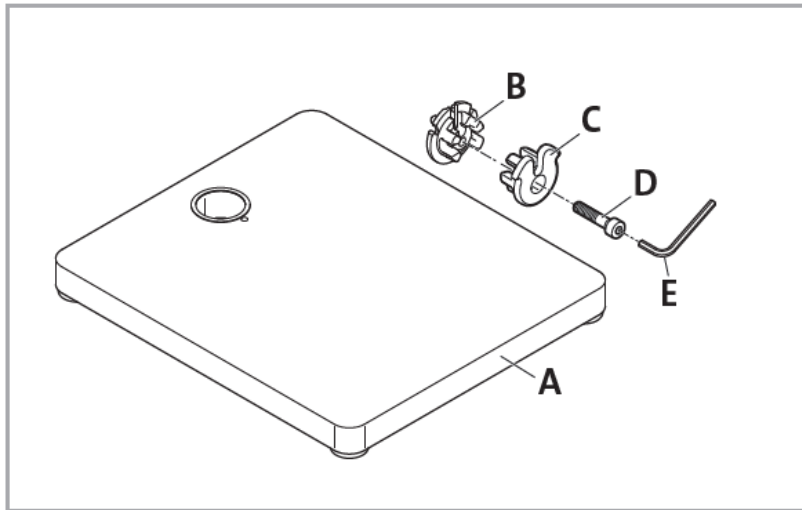




assembly instruction: Novus
Attenzia Task with base plate

NOVUS[®]

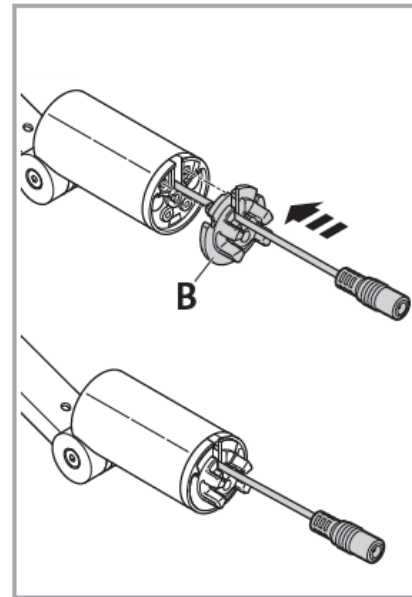
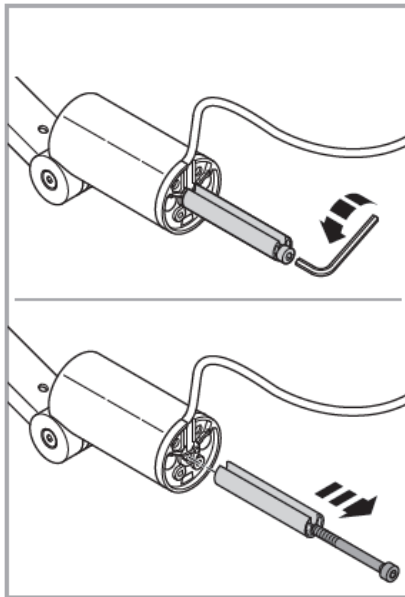
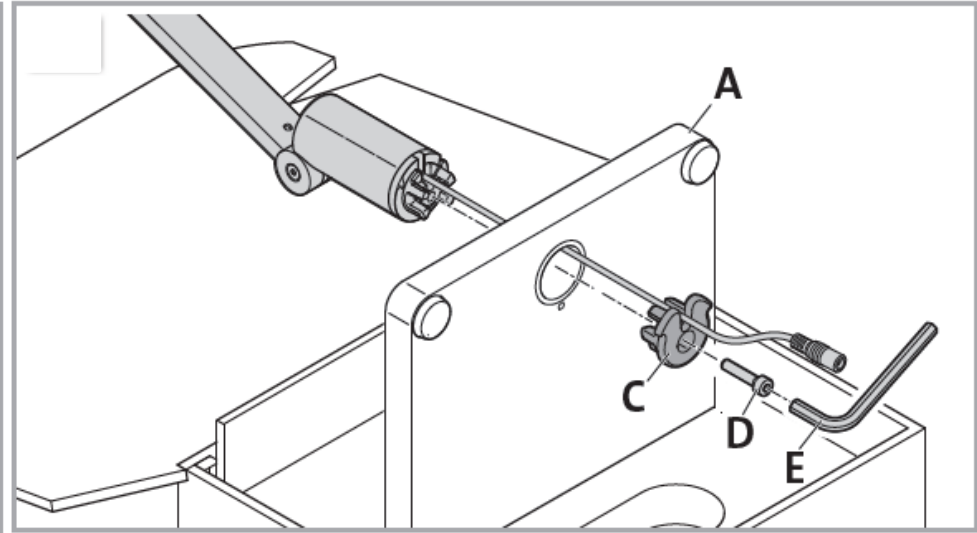
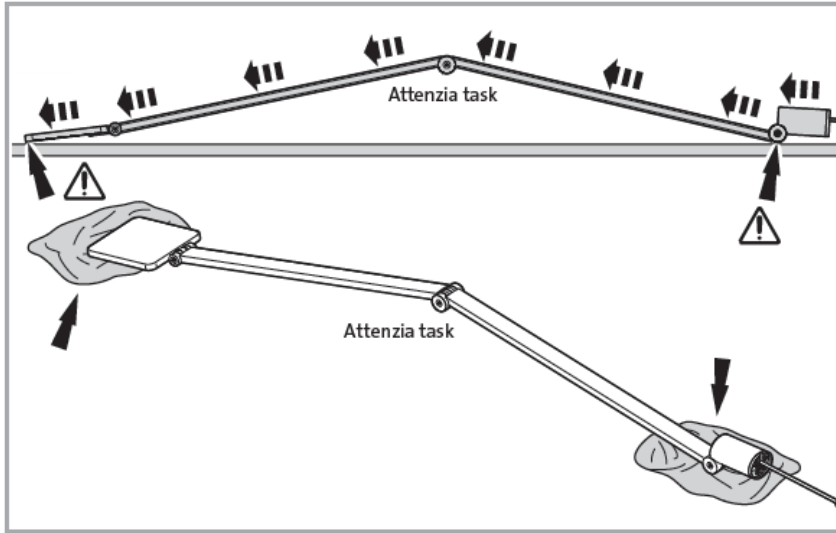
Attenzia



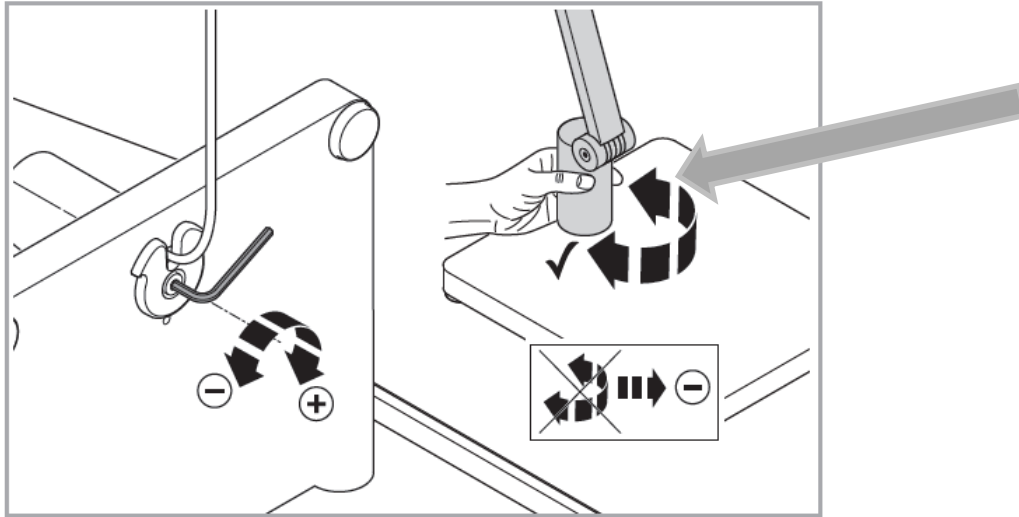
1. Take the Attenzia base plate „A“ from it's packaging and use this packaging as an assembly assistance.

NOVUS®

Attenzia



2. Place the Attenzia Task light on e.g. desk plate , then unscrew the existing metal bolt and locate the plastic part „B“. Lead the cable of the Task light through the aperture of the base plate „A“. In the last step put the second plastic part „C“ from the bottom side of the base plate „A“ and fix it with the screw „D“.



3. Attention. Please just tighten the screw „D“ only so tight that you can move the base easily with just 2 fingers.

NOVUS®

Atenzia