



VITREOUS CHINA

TOILET
SE-21-112

LAVATORIES

TOILETS

BIDETS / URINALS

CAST IRON

MAXWELL® SE Elongated Toilet

12" Rough-in

Features:

- 1.6 gpf/6 Lpf two-piece toilet
- Elongated bowl
- Dual-fed siphon jet
- 2" flush valve
- Glazed trapway
- Color matched front tank lever (white only)
- Optional insulated non-sweating tank
- Optional right-handed trip lever
- Available in White, Bone and Biscuit
- 2 bolt caps

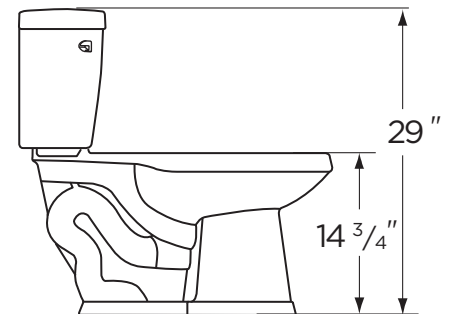
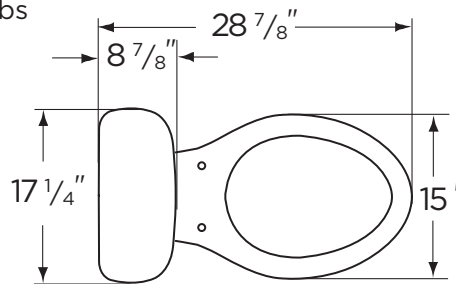


Dimensions:

- Height29"
- Width17 1/4"
- Depth 28 7/8"
- Rough-in12"
- Water Surface from Rim5 1/2"
- Trapway1 3/4"
- Water Surface11" x 8"
- Water Seal2 1/2"
- Shipping Weight 75.5 lbs

Specifications: Bowl—#21-162 Elongated Bowl
Seat not included

Tank—#28-170



THIS FIXTURE QUALIFIES ACCORDING TO ASME TEST PROCEDURES AS A LOW CONSUMPTION WATER CLOSET WITH AN AVERAGE CONSUMPTION OF 1.6 gpf (6Lpf) OR LESS.



www.gerberonline.com

Job Name	
Date	
Model Specified	
Quantity	
Customer	
Contractor	
Architect/engineer	

