

**Features**

- Two Lever handles offer separate control of hot and cold water
- 90° spout rotation
- 1.2 gpm (4.5 lpm) maximum flow rate at 60 psi (4.14 bar)
- KOHLER® ceramic disc valves exceed industry longevity standards for a lifetime of durable performance
- Clicker drain with tailpiece and overflow
- Coordinates with other products in the Medley collection

**Material**

- Premium metal construction for durability and reliability
- KOHLER finishes resist corrosion and tarnishing

**Installation**

- For 4" (102 mm) centers
- Centerset
- Deck-mount

**Recommended Products/Accessories**

K-23726 Drain treatment



<b>ADA</b>	<b>CSA B651</b>	<b>OBC</b>
------------	-----------------	------------

**Codes/Standards**




ASME A112.18.1/CSA B125.1  
NSF/ANSI/CAN 61  
NSF/ANSI/CAN 372  
DOE - Energy Policy Act 1992  
EPA WaterSense®  
California Energy Commission (CEC)  
ADA  
ICC/ANSI A117.1  
CSA B651  
OBC

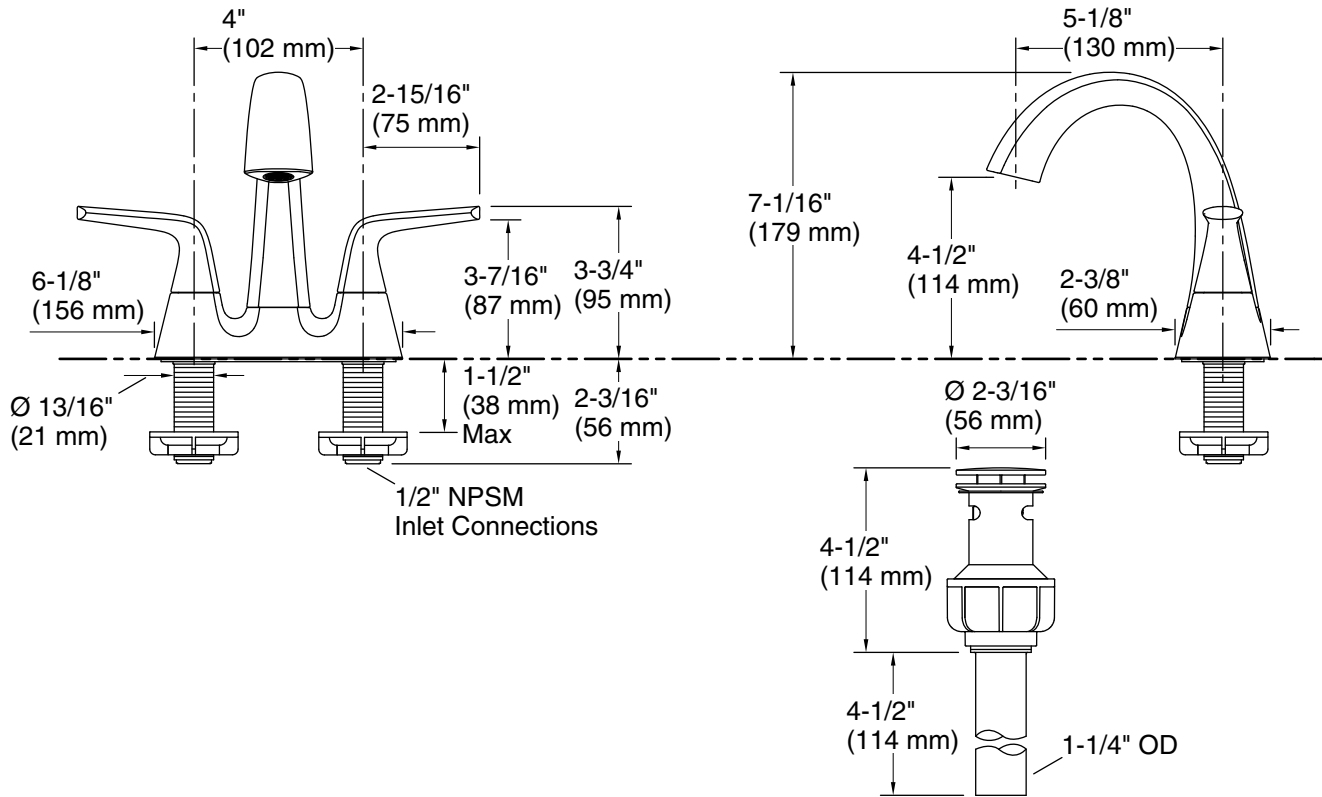
**STERLING® Faucet Lifetime Limited Warranty**

See website for detailed warranty information.

**Available Colors/Finishes**

*Color tiles intended for reference only.*

Color	Code	Description
	CP	Polished Chrome
	BN	Vibrant® Brushed Nickel
	BL	Matte Black



**Technical Information**

All product dimensions are nominal.

Faucet flow rate: 1.2 gal/min (4.5 l/min)

Drain included: Yes

Drain tailpiece included: Yes

**Spout:**

Spout reach: 5-1/8" (130 mm)

**Notes**

Install this product according to the installation instructions.

ADA, OBC, CSA B651 compliant when installed to the specific requirements of these regulations.