



41180 Raintree Court  
 Murrieta, CA 92562  
 1-888-304-0660  
 www.waterstoneco.com

ITEM NO: **3100**

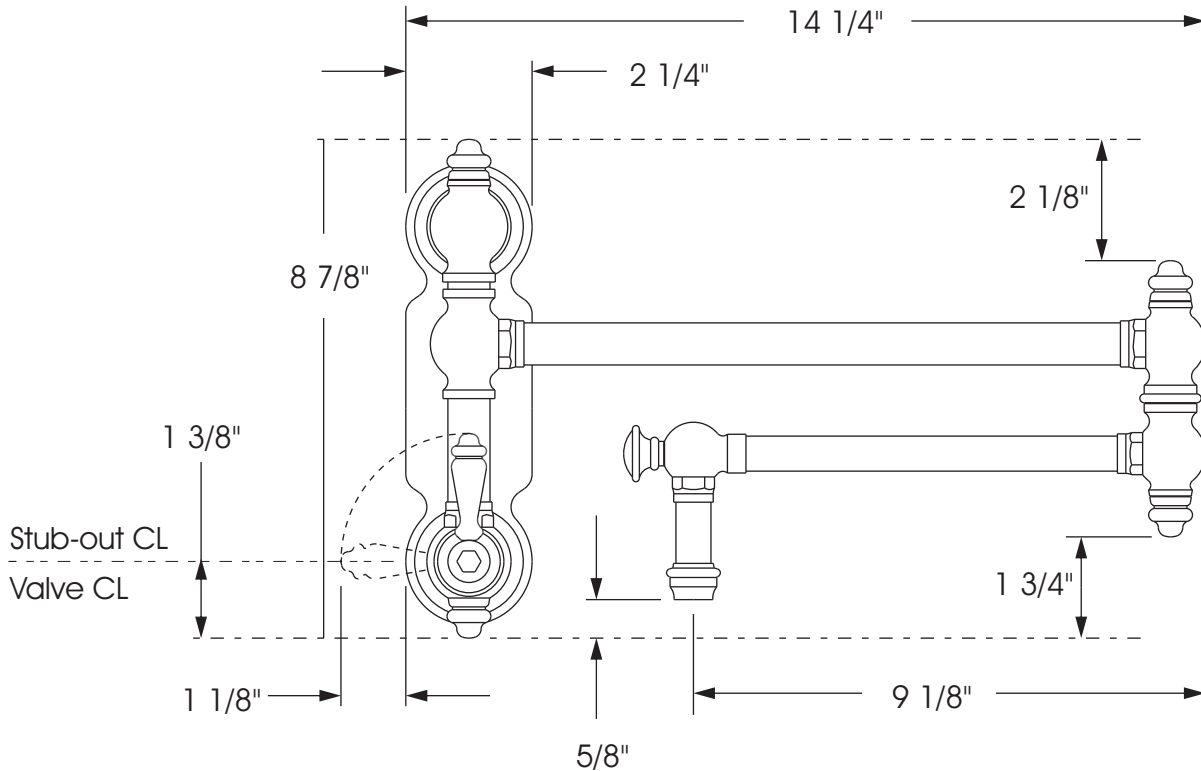
STYLE: **TRADITIONAL**

INTENDED USE:  
 WALL MOUNTED POTFILLER

CUSTOMER NAME:

JOB NO:

DIMENSIONS MAY VARY AND ARE SUBJECT TO CHANGE. NO RESPONSIBILITY IS ASSUMED FOR USE OF SUPERCEDED OR VOIDED DATA



### Technical Specifications

- Solid brass construction.
- 1/4 turn ceramic disk valve cartridge.
- Lever handle.
- 1.75 gpm maximum flow rate.
- Check valve to prevent water run-out.
- Aerated stream.
- 22" reach
- Stub-out connection 1/2" NPT.

### Codes/Standards Applicable

Specified model meets or exceeds the following:

- ASME A112.18.1
- CSA B125.1
- NSF 61
- CALGreen

DATE: 1-10-08



MADE IN THE USA