

Features

- 4-7/8" diverter spout with 1/2" NPT connection
- 1/2" (12.7 mm) max hole diameter
- Coordinates with Antique faucets, accessories, and showering components to complete your bathroom

Material

- Brass
- KOHLER finishes resist corrosion and tarnishing

Installation

- Wall-mount

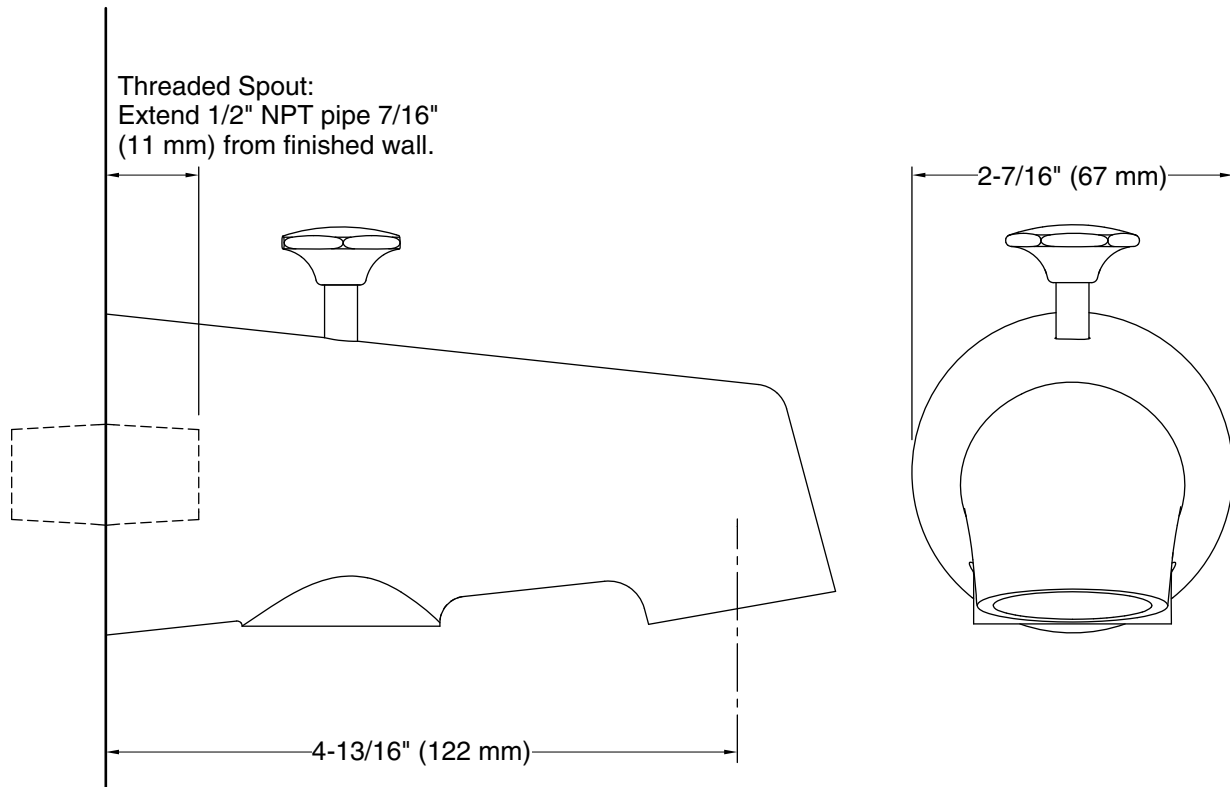


Codes/Standards

ASME A112.18.1/CSA B125.1
DOE - Energy Policy Act 1992
NOM Standards
NOM 012-CONAGUA

KOHLER[®] Faucet Lifetime Limited Warranty

See website for detailed warranty information.



Technical Information

All product dimensions are nominal.

Notes

Install this product according to the installation instructions.