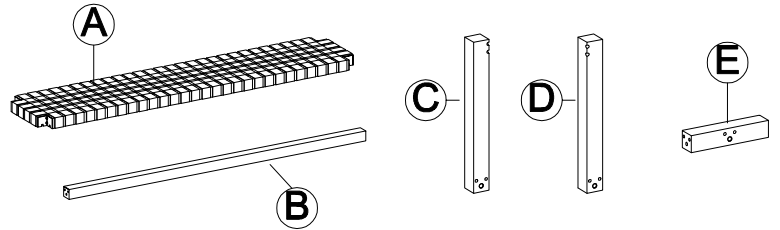


ONE COLL. WOVEN DINING BENCH ASSEMBLY INSTRUCTIONS



PARTS PACKING CONFIGURATIONS

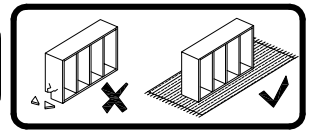
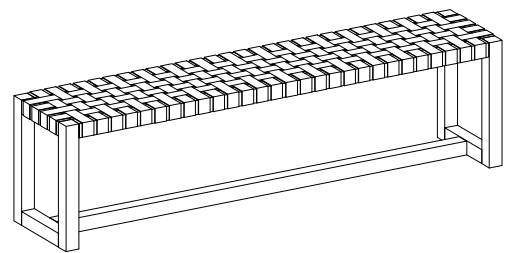
- A. SEAT 1PC
- B. STRETCHER 1PC
- C. LEG C 2PCS
- D. LEG D 2PCS
- E. SIDE STRETCHER 2PCS



HARDWARE KIT PACKED IN BOX

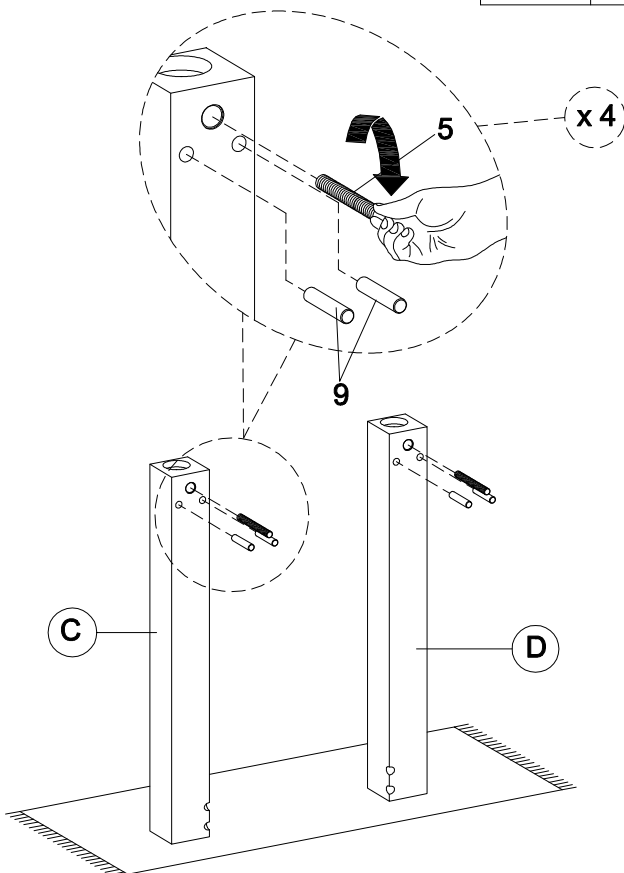
NO.	DESCRIPTION	IMAGE	Q'TY
1	ALLEN BOLT (5/16"x3")		8 PCS
2	LOCK WASHER (5/16")		8 PCS
3	FLAT WASHER (5/16")		8 PCS
4	ALLEN KEY (5mm)		1 PC
5	THREADED BOLT (5/16"x3")		6 PCS
6	HALF MOON WASHER (28x14x7mm)		6 PCS
7	HEX NUT (5/16")		6 PCS
8	WRENCH		1 PC
9	WOOD DOWEL (8x30mm)		12 PCS

FULLY ASSEMBLED



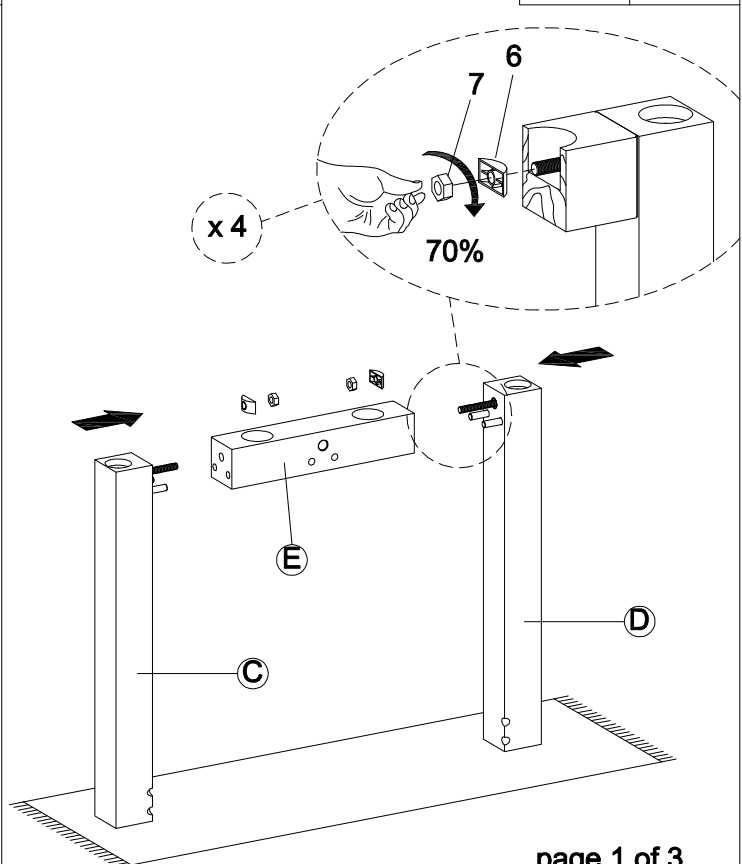
Step 1:

- #5 (4)
- #9 (8)



Step 2:

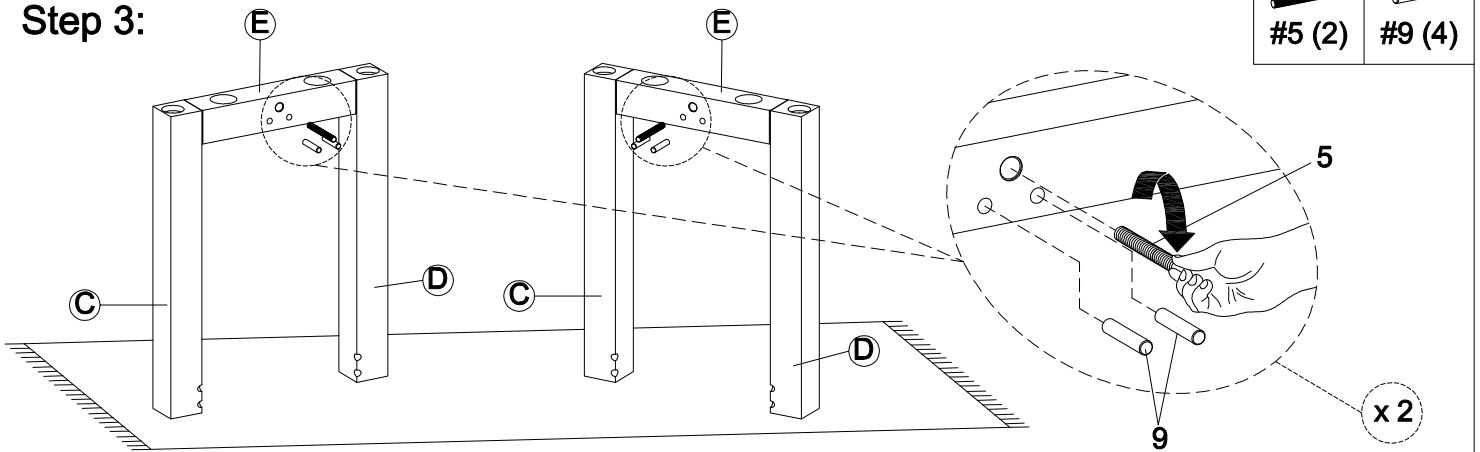
- #6 (4)
- #7 (4)



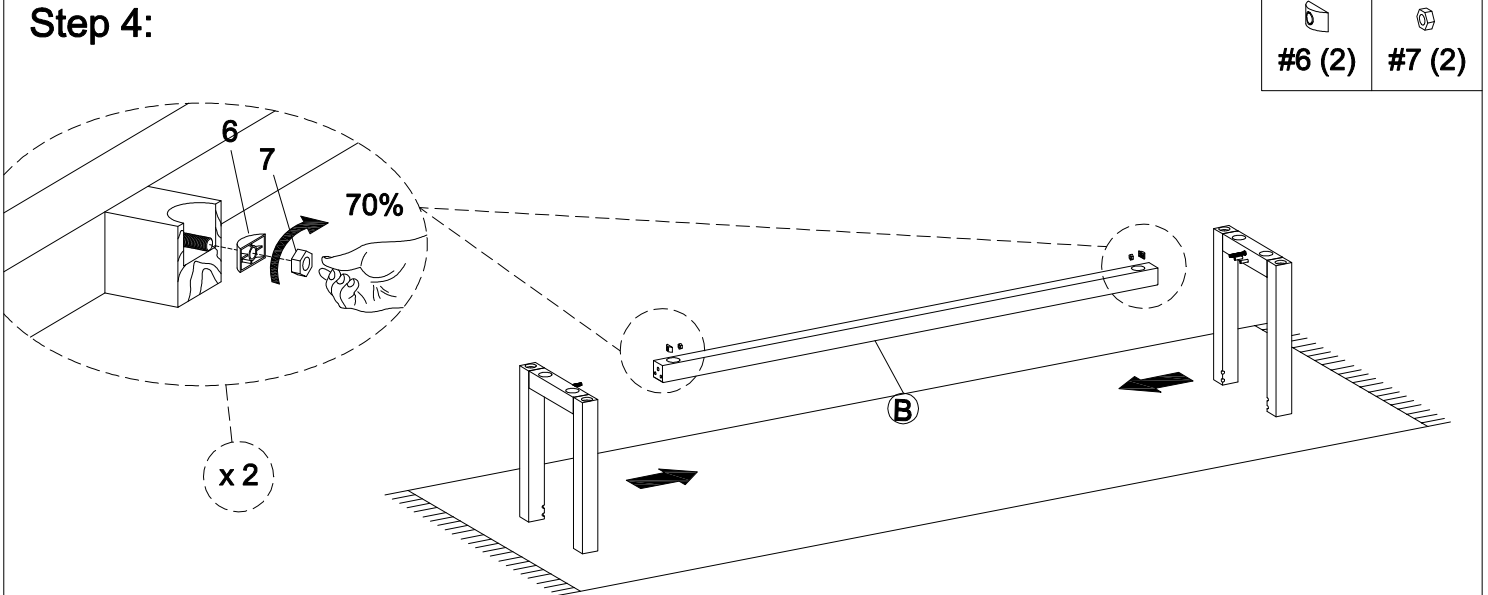
ONE COLL. WOVEN DINING BENCH ASSEMBLY INSTRUCTIONS

MODUS
FURNITURE

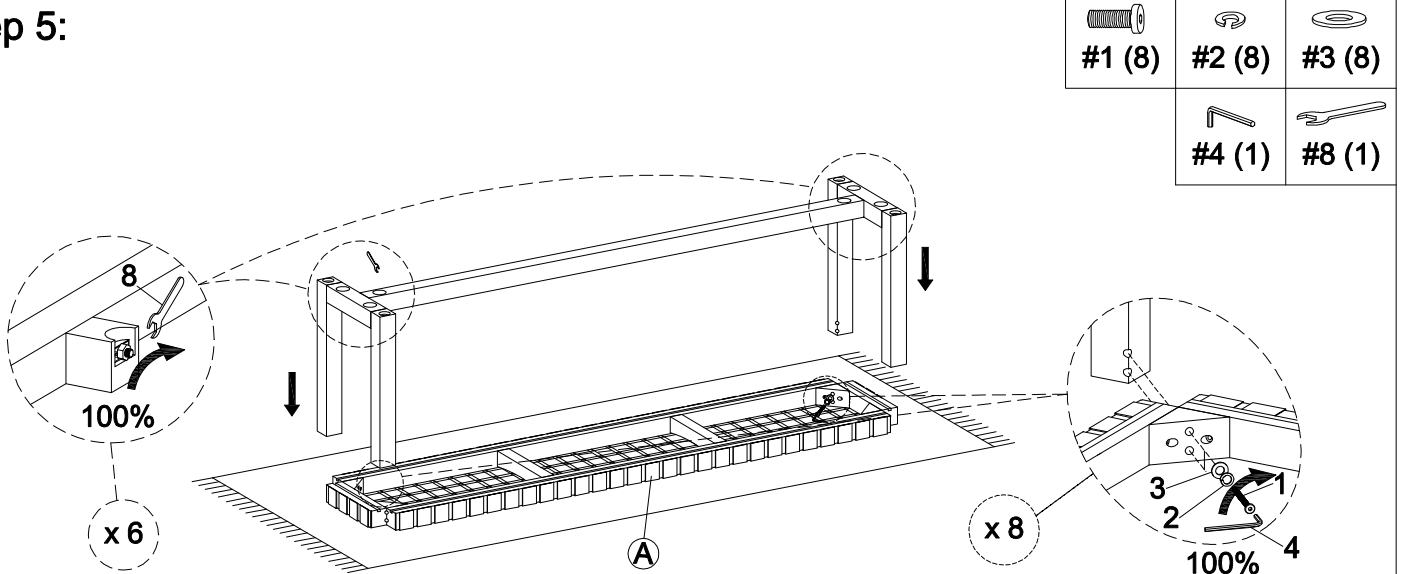
Step 3:



Step 4:



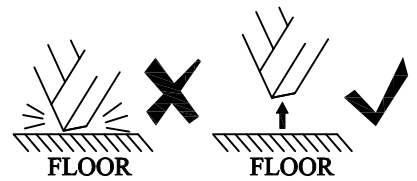
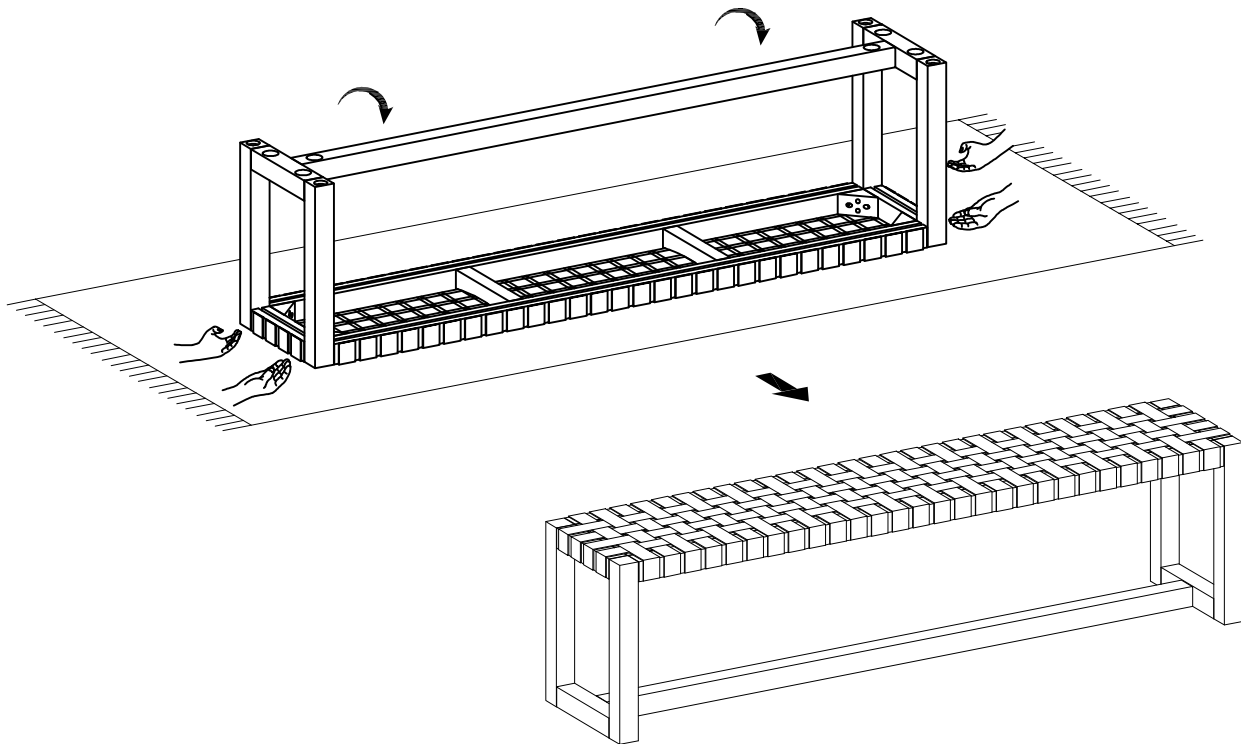
Step 5:



ONE COLL. WOVEN DINING BENCH ASSEMBLY INSTRUCTIONS



Step 6:



ASSEMBLY COMPLETE

