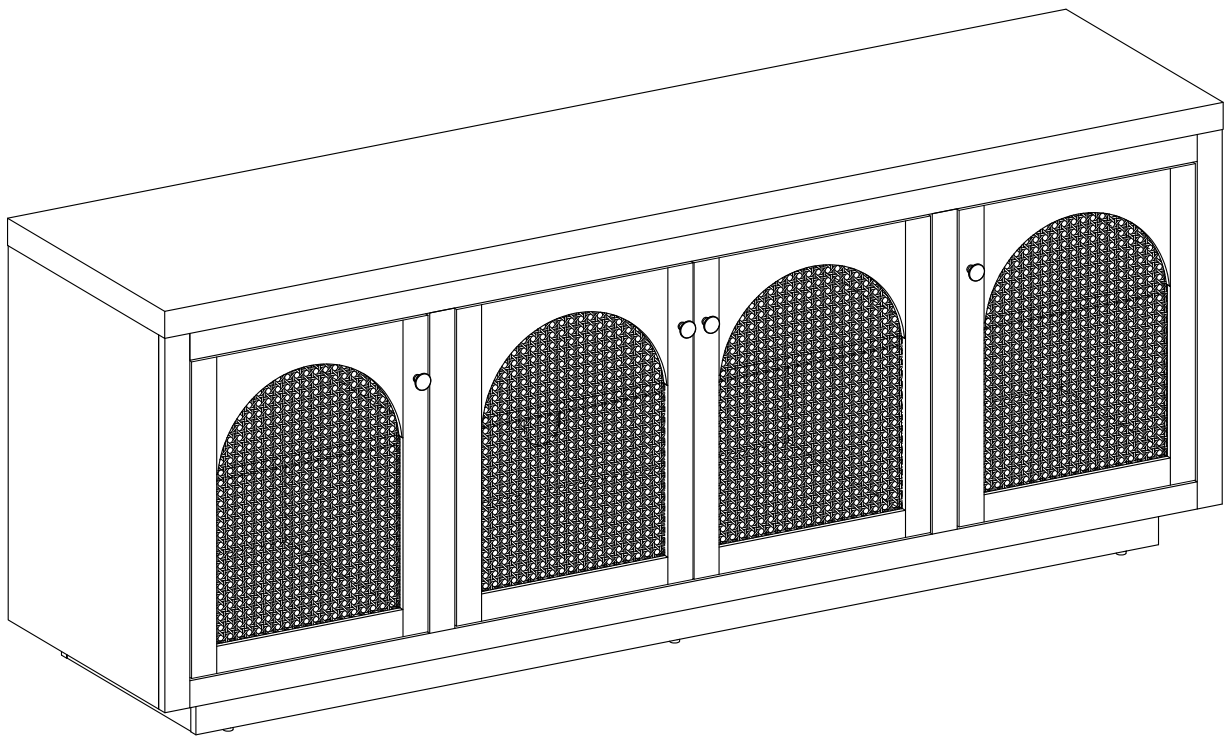


WALKER EDISON
TM

Sasha 70" Contemporary TV Stand & Sideboard with Rattan Doors

SKU# WESAS21704



For Residential Use Only

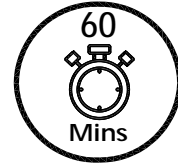
Please visit our website for the most current instructions, assembly tips, report damage, or request parts. www.walker-edison.com



Time to get started

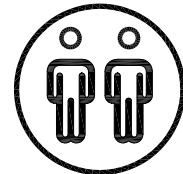
Set up a clean and soft workplace to get started and avoid damage during the assembly. It also helps to double-check that you've got all the pieces and parts before diving in to assembly.

Estimated time for assembly



People recommended for assembly

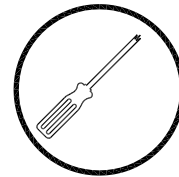
Make it a team effort! Grab a friend for quicker, easier assembly.



2 People Build

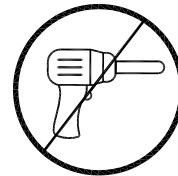
Tools Needed

Grab a Phillips head screwdriver to conquer this assembly



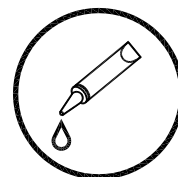
Use power tools with caution

You can cause cracking or damage to the material and easily strip the hardware. If you choose to use a power tool, your product will no longer be covered under Walker Edison's warranty.



Glue is provided to secure wood dowels in place

When inserting dowels, locate the appropriate hole, place a small amount of glue in the hole, and then insert the dowel. Wipe away excess glue immediately.

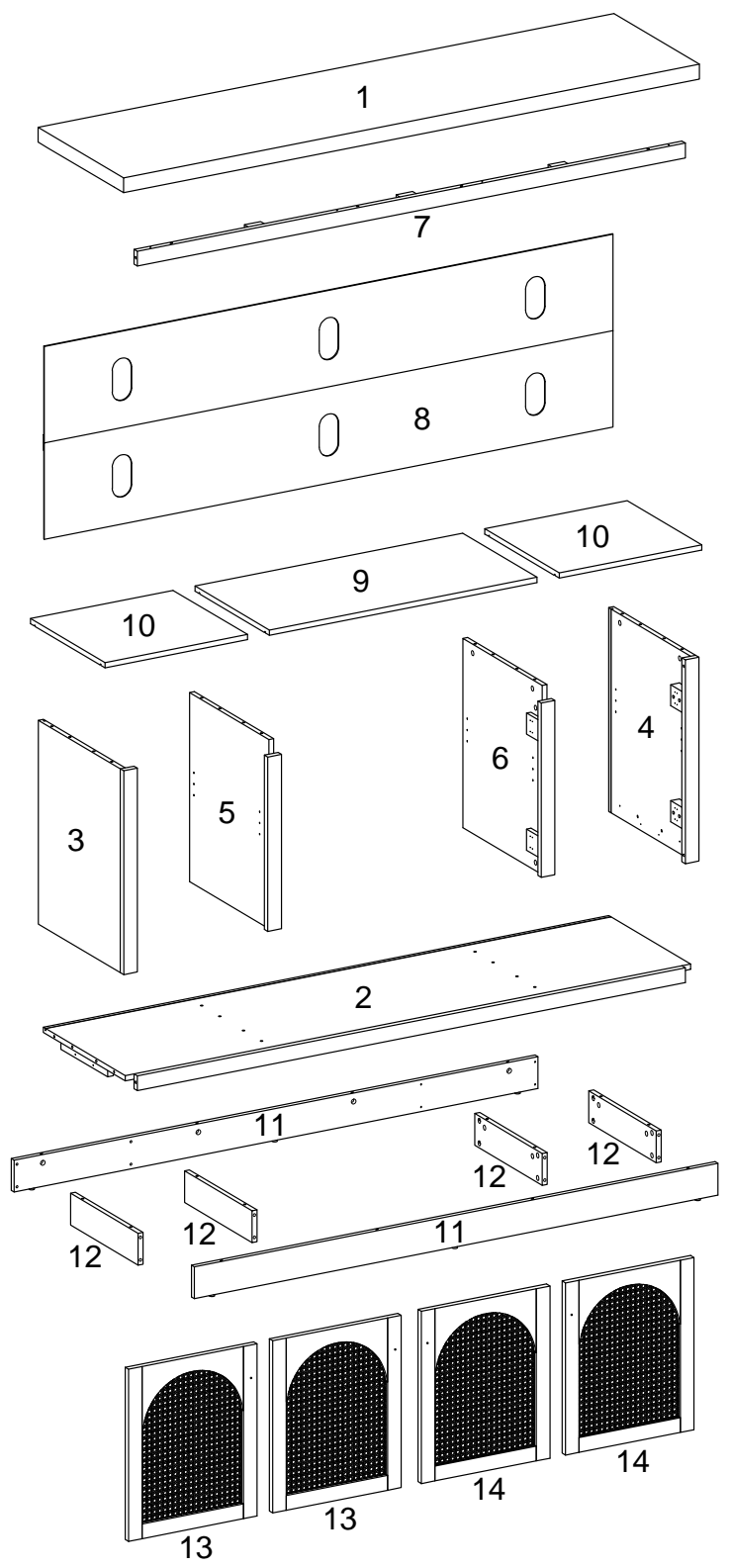


Sasha




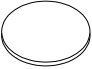
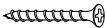
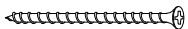
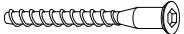

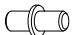

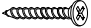

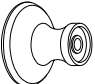
Scan to get assembly tips and help!

WE Parts List

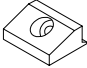
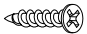
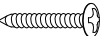


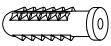
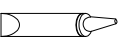
Part Number	Description	Quantity
1	Top Panel	1
2	Bottom Frame	1
3	Left Panel	1
4	Right Panel	1
5	Left Divider Panel	1
6	Right Divider Panel	1
7	Top Rail	1
8	Back Panel	1
9	Middle Adjustable Shelf	1
10	Side Adjustable Shelf	2
11	Long Apron	2
12	Short Apron	4
13	Left Door	2
14	Right Door	2



WE Hardware List

Part	Size	Name	Quantity
A	 8x30mm	Wooden dowel	24
B	 6x35mm	Cam Bolt	44
C	 15x11mm	Cam Lock	44
D	 30mm	Sticker	48
E	 4x25mm	Screw	4
F	 4x50mm	Screw	4
G	 6x50mm	Bolt	4
H	 M4	Hex key	1
J	 8x5x16mm	Shelf Support Pin	12
K	 26mm	Hinge	8
L	 3.5x14mm	Screw	48
M	 5/32"x25mm	Bolt	4
N	 Ø26x22mm	Handle	4

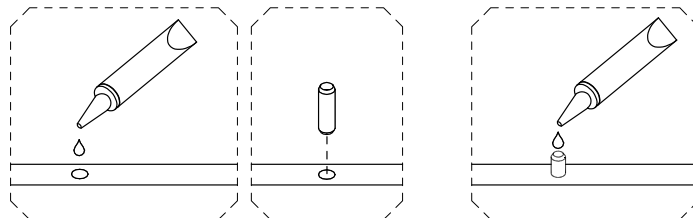
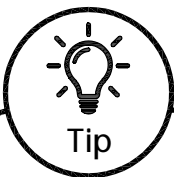
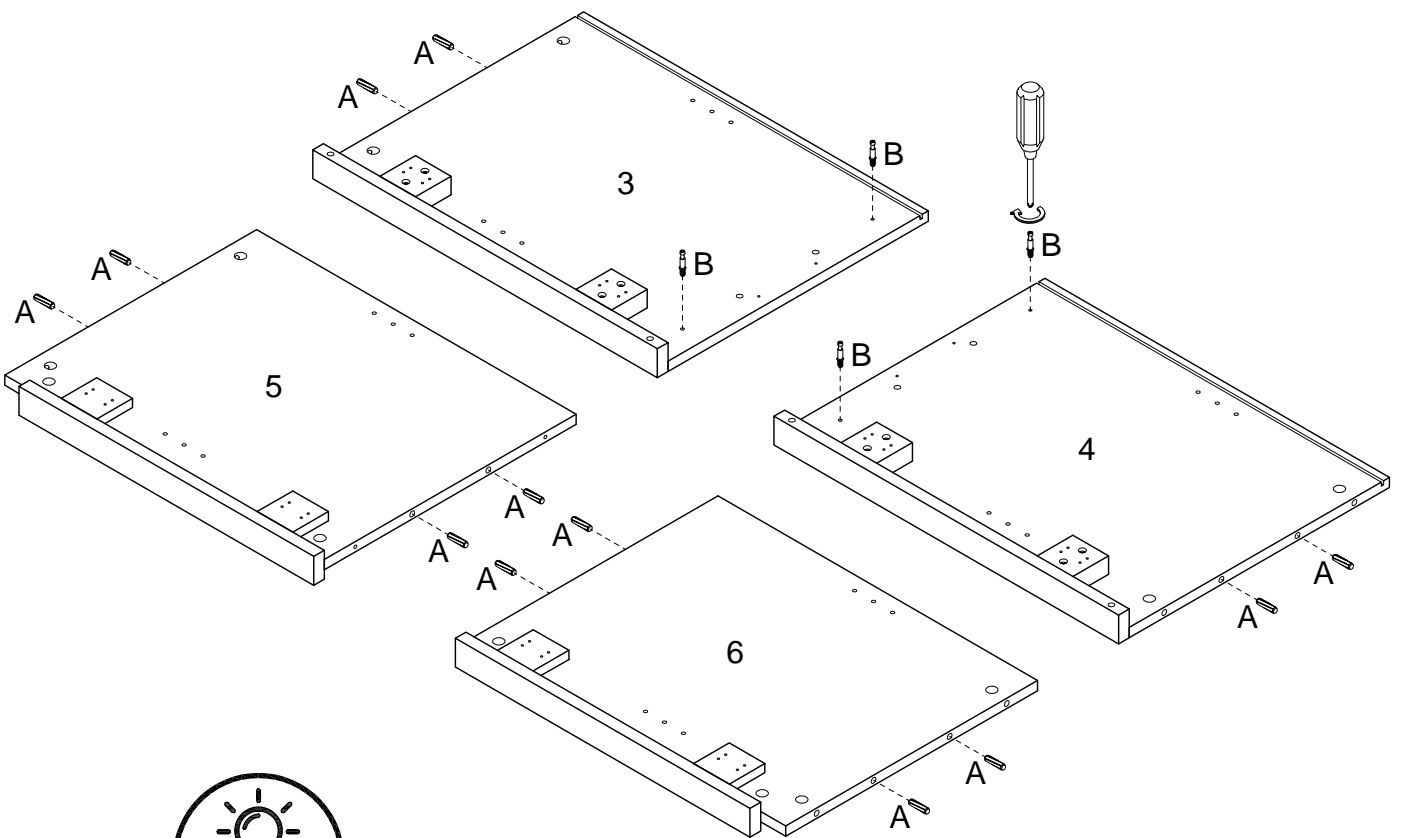
WE Hardware List

Part	Size	Name	Quantity
P		Plastic Wedge	16
Q	 3x17mm	Screw	16
R	 4x25mm	Screw	2
S	 4x12mm	Screw	2
T		Plastic strap	2
U		Wall Anchor	2
V		Glue Tube	2

The hardware quantities listed above are required for proper assembly.
Extra hardware pieces may be included.

Step 1

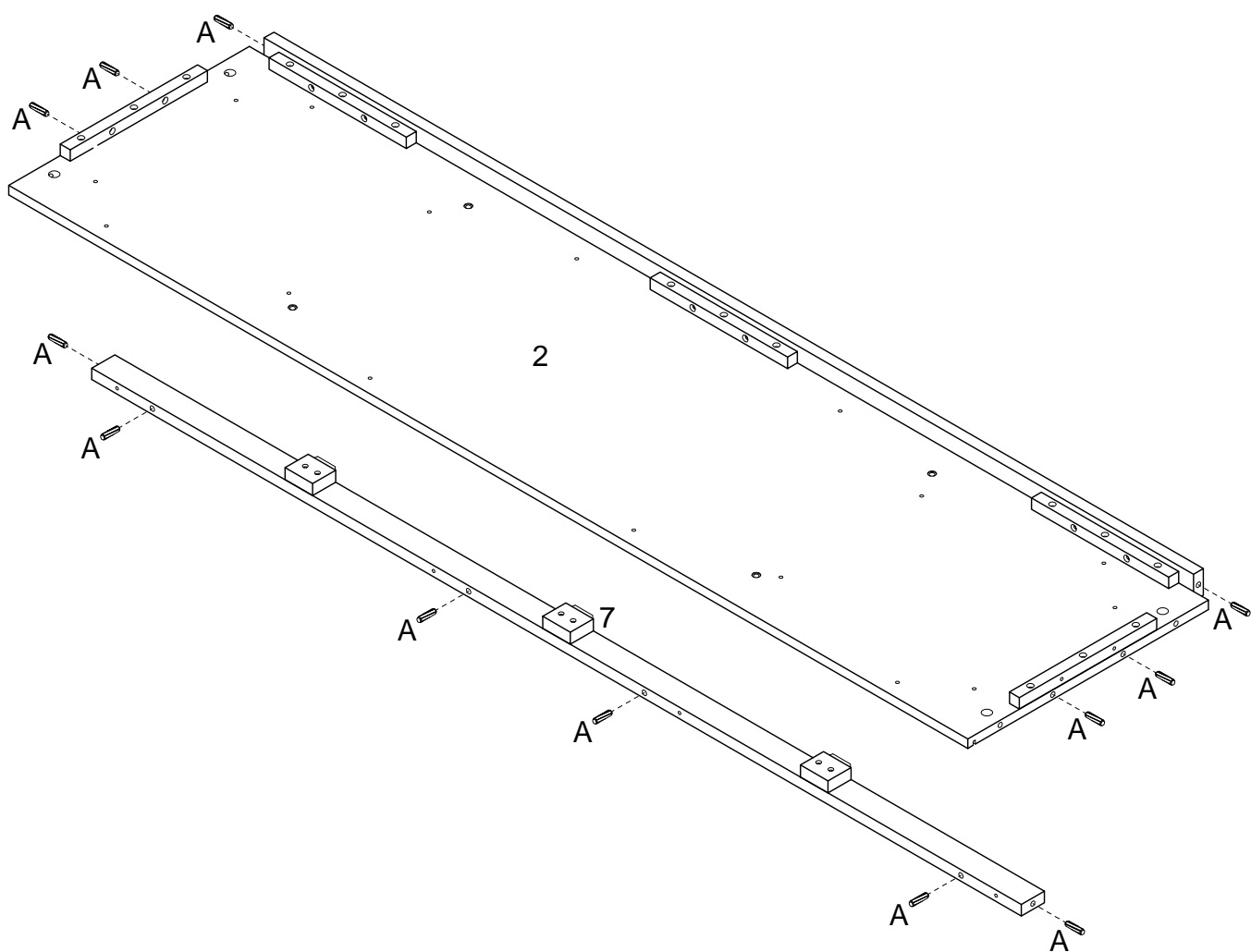
Let's get started! Insert the wooden dowels (A) into the Left Panel, Right Panel, Left Divider Panel and Right Divider Panel (3,4,5,6). Now, twist in the cam bolts (B) to the Left and Right Panels (3 & 4) with a Phillips head screwdriver.



- 1: The provided glue is to secure wood dowels in place. When first inserting dowels, locate the appropriate hole for the dowel, place a small amount of glue in the hole and insert the dowel. Wipe away excess glue immediately.
- 2: In future assembly steps when dowels are necessary to attach assembly parts together, place a small amount of glue on the end of the dowel before attaching parts together. Wipe away excess glue immediately.

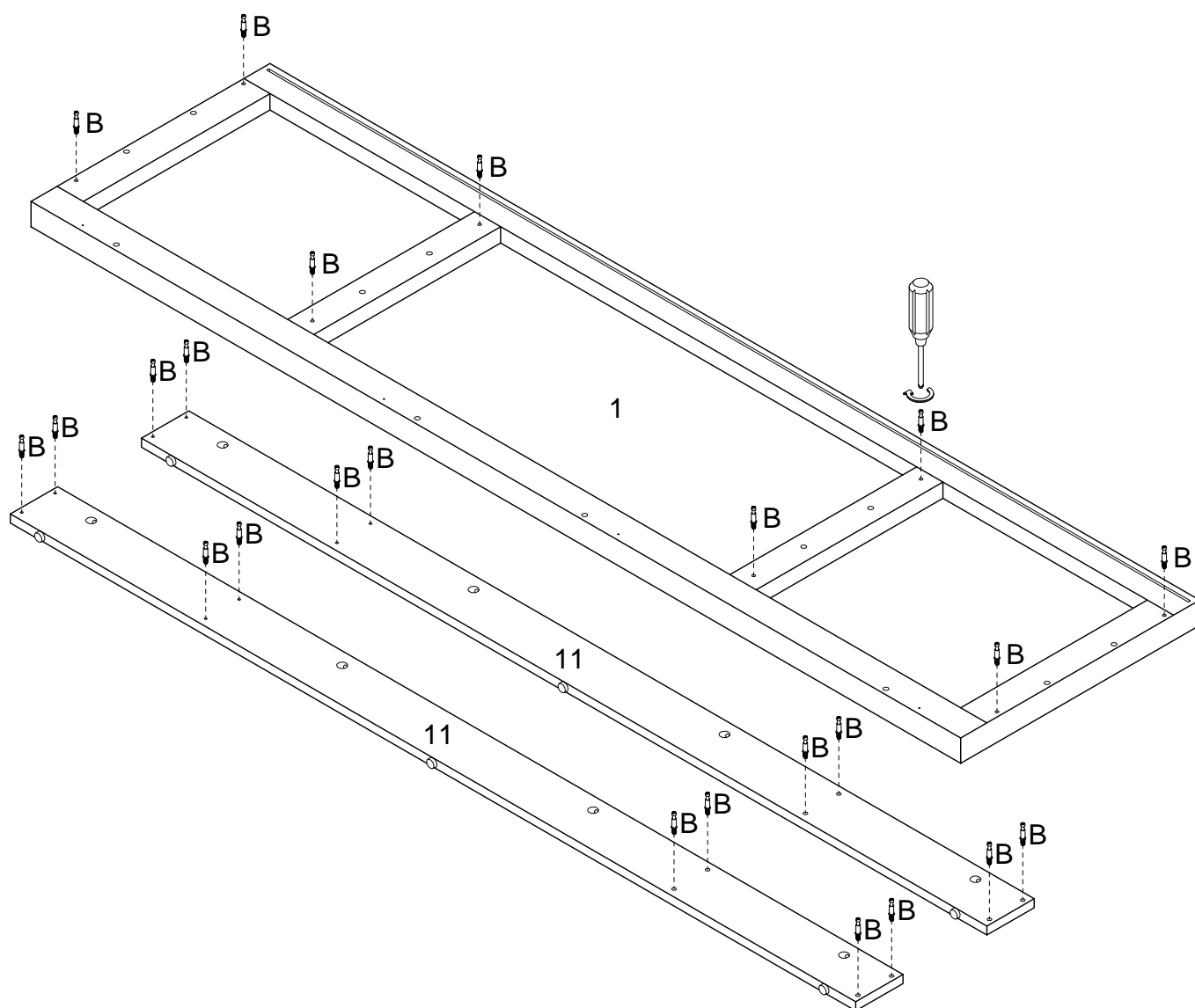
Step 2

Insert those dowels (A) into the Bottom Frame (2) and the Top Rail (7).



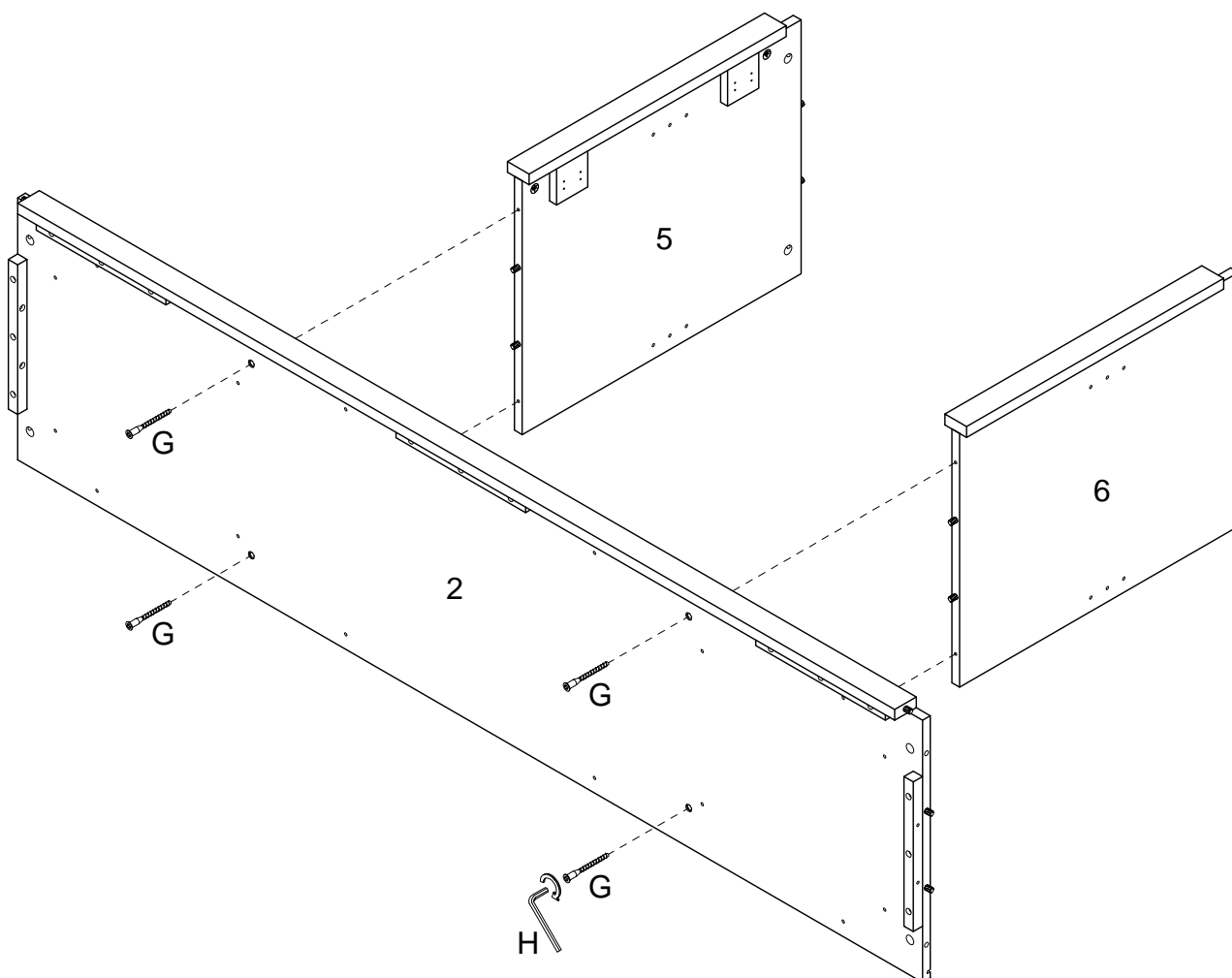
Step 3

Screw in the cam bolts (B) to the Top Panel (1) and both Long Aprons (11).



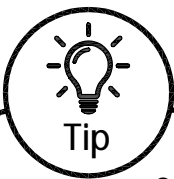
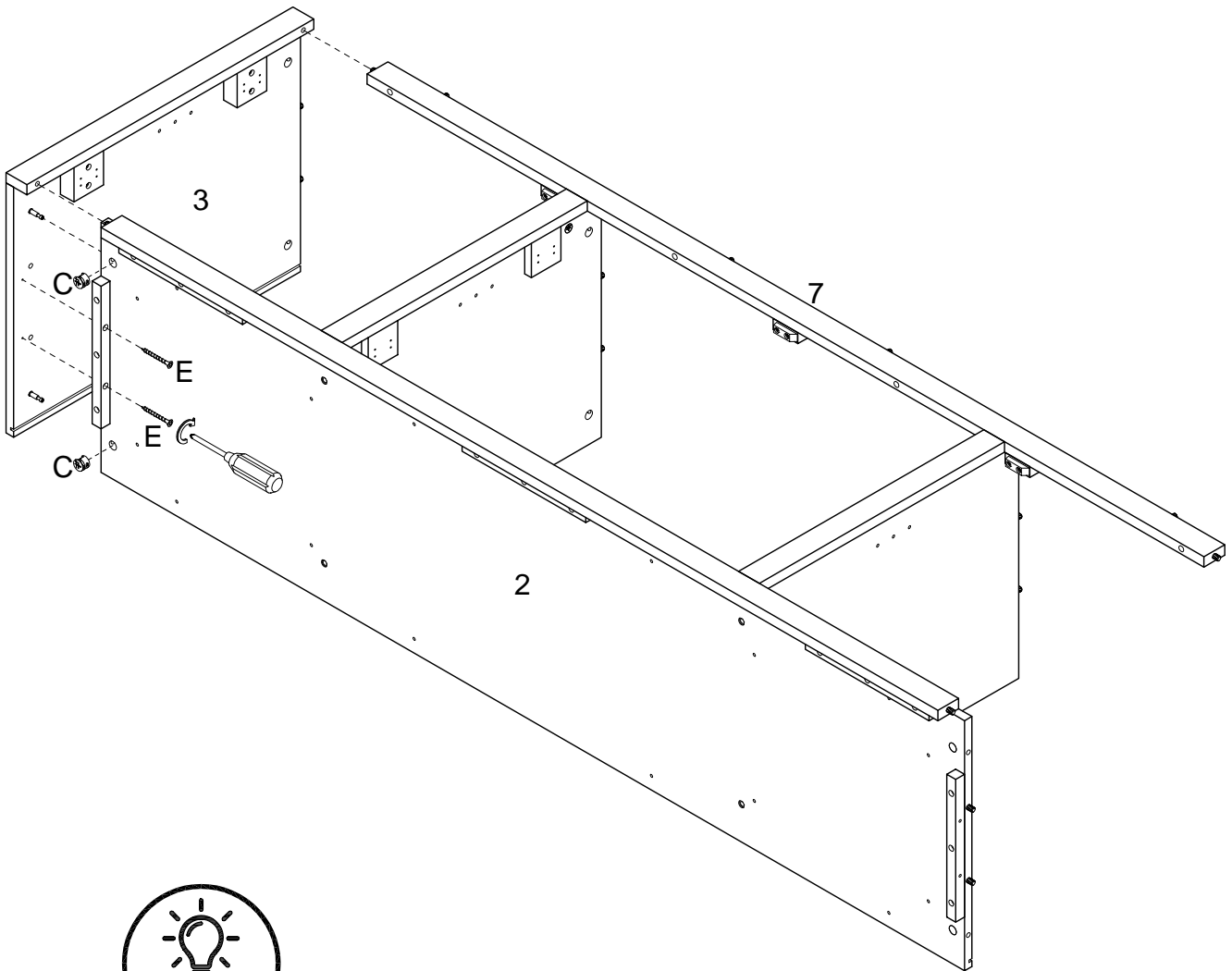
Step 4

Using the hex key (H), secure the Left and Right Divider Panels (5 & 6) to the Bottom Frame (2) with bolts (G).



Step 5

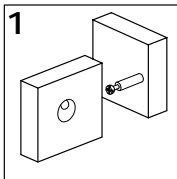
Attach the Left Panel (3) to the Bottom Frame (2) and the Top Rail (7) using the cam locks (C). For added strength, pop in some screws (E).



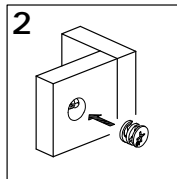
Tip

Cam Locks

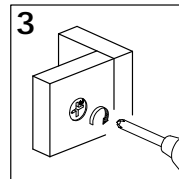
Cam Locks help securely join two pieces together. Follow these easy steps.



1: Insert Cam Bolt into bolt holes on the flat side. Don't over tighten!



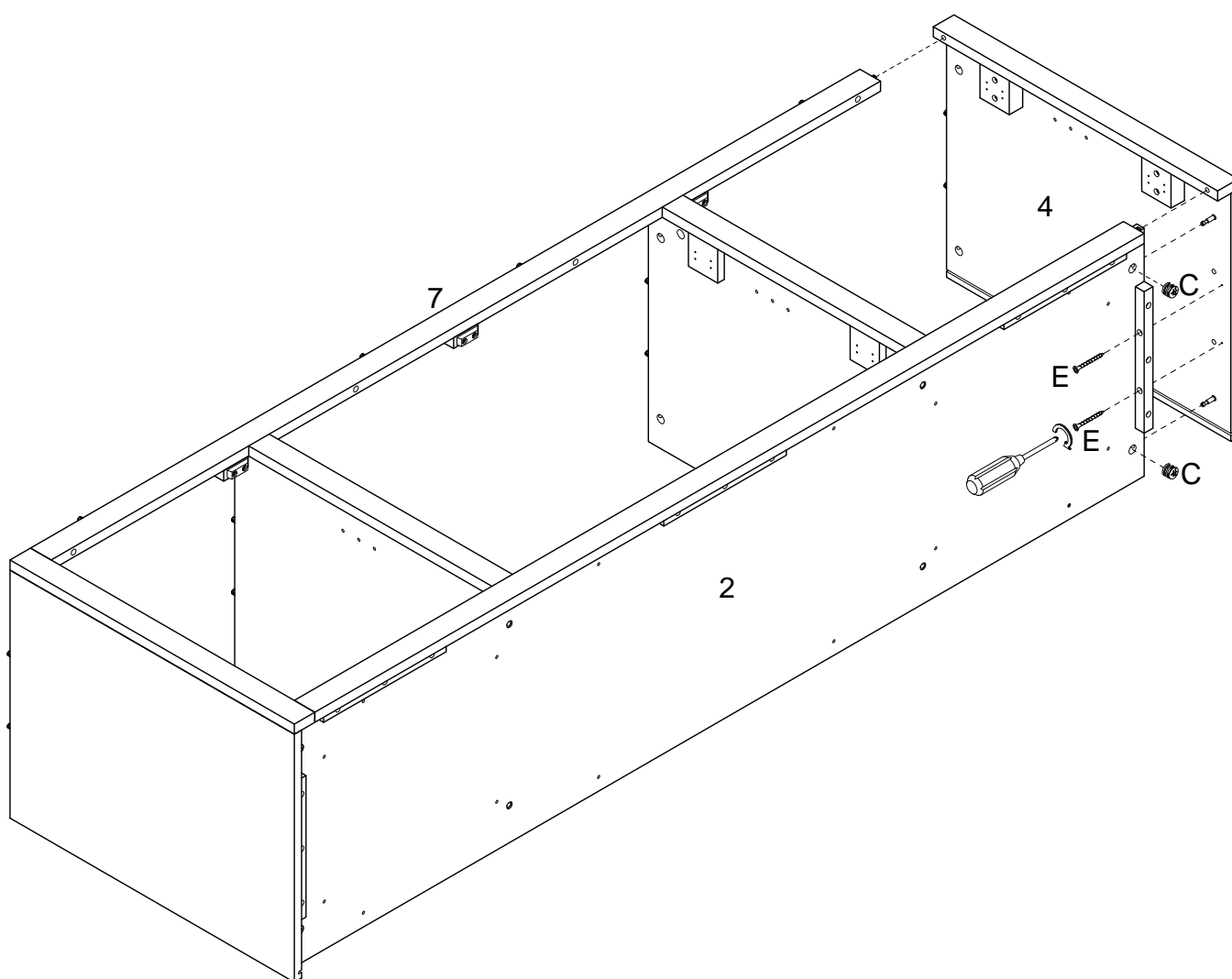
2: Fit the proper holes on the edge of the other part over the Cam Bolts. You should be able to see the cam bolts through the larger hole on the side.



3: On the back of the Cam Lock will be a "C" shape. Insert the Cam Lock so the opening of the "C" fits over the Cam Bolt. Tighten with the screwdriver.

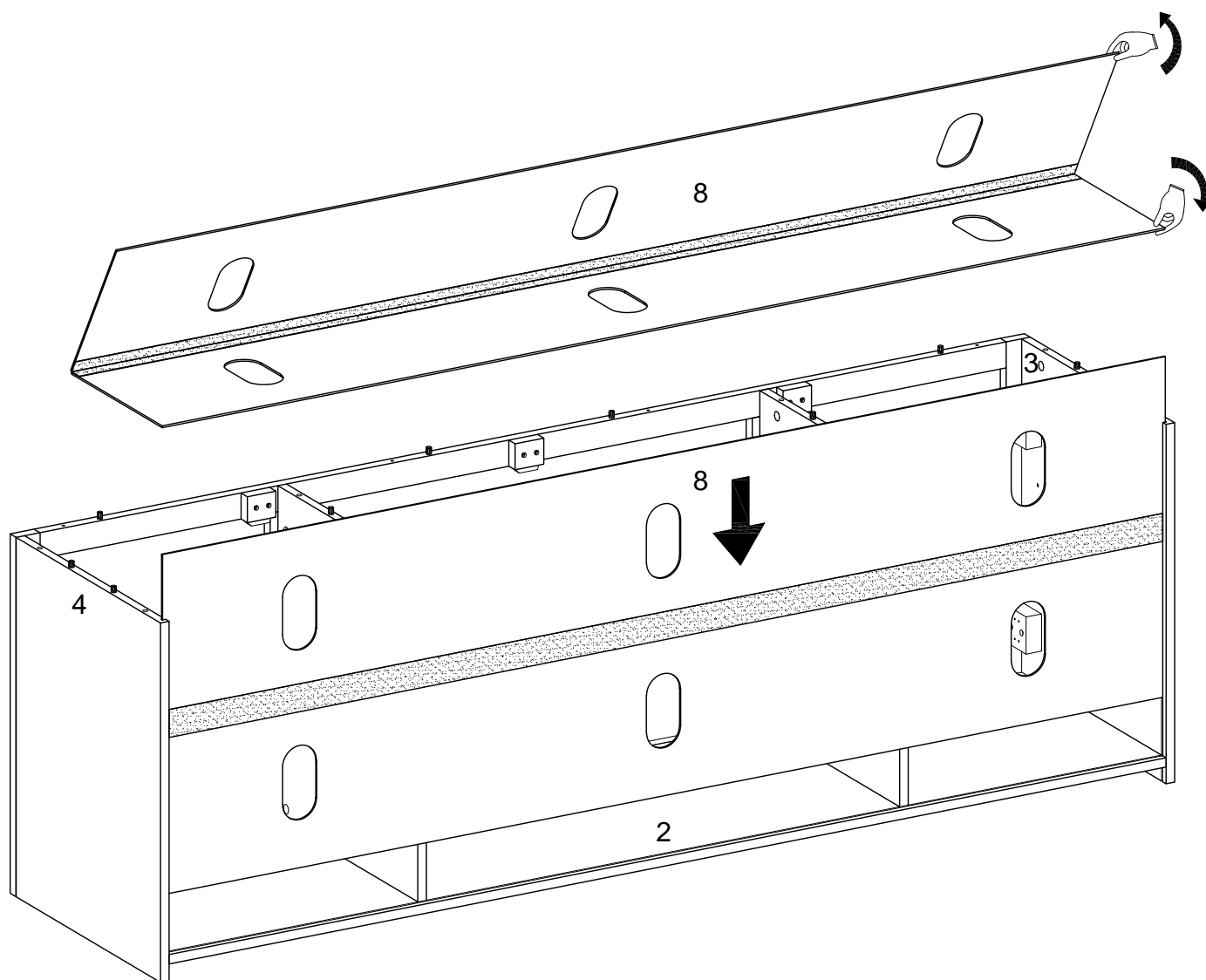
Step 6

Repeat the previous step on the right side with the Right Panel (4).



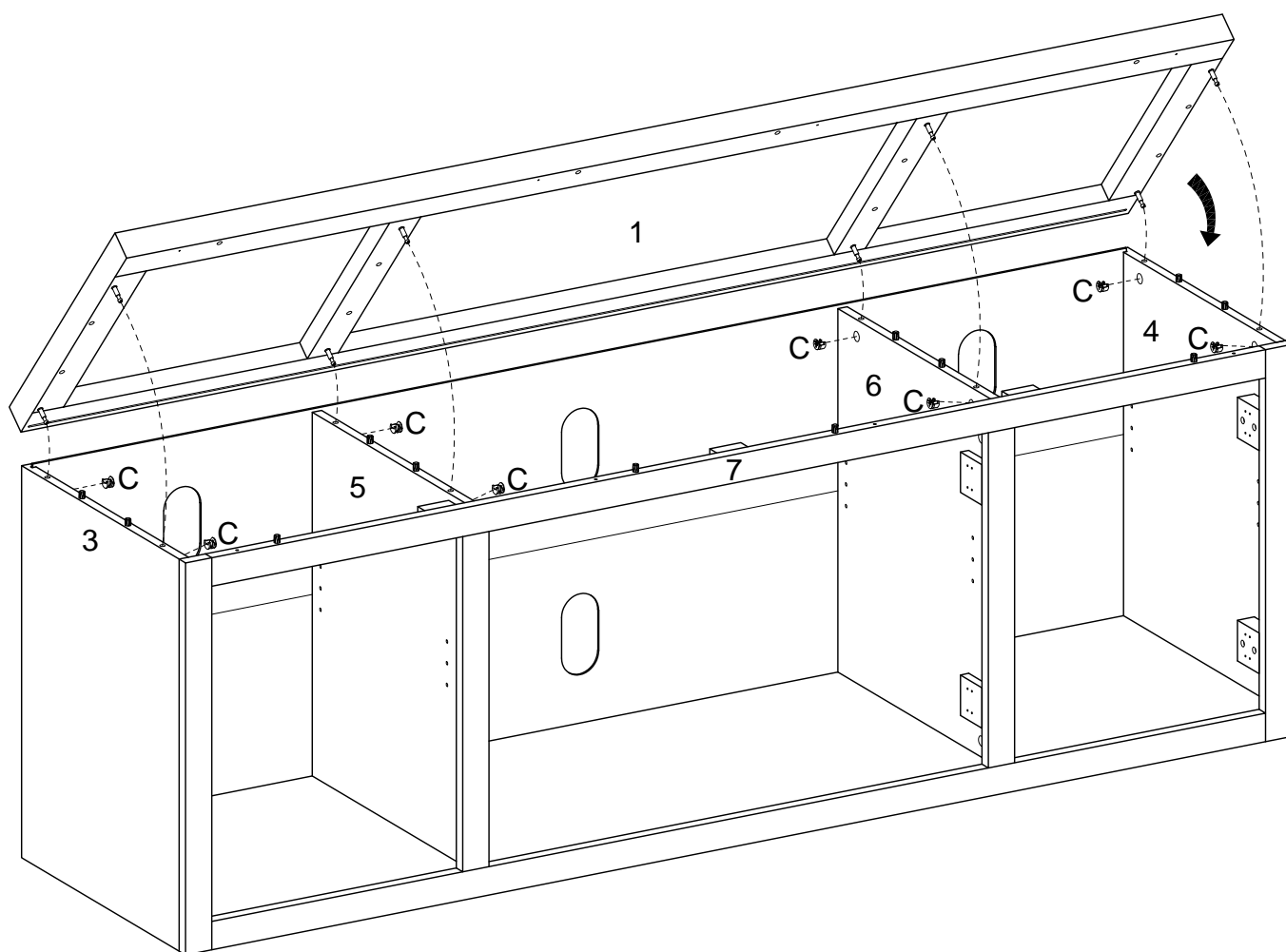
Step 7

Unfold the Back Panel (8) and slide it gently into the grooves on the back of your furniture.



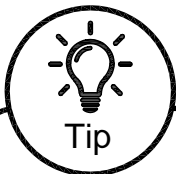
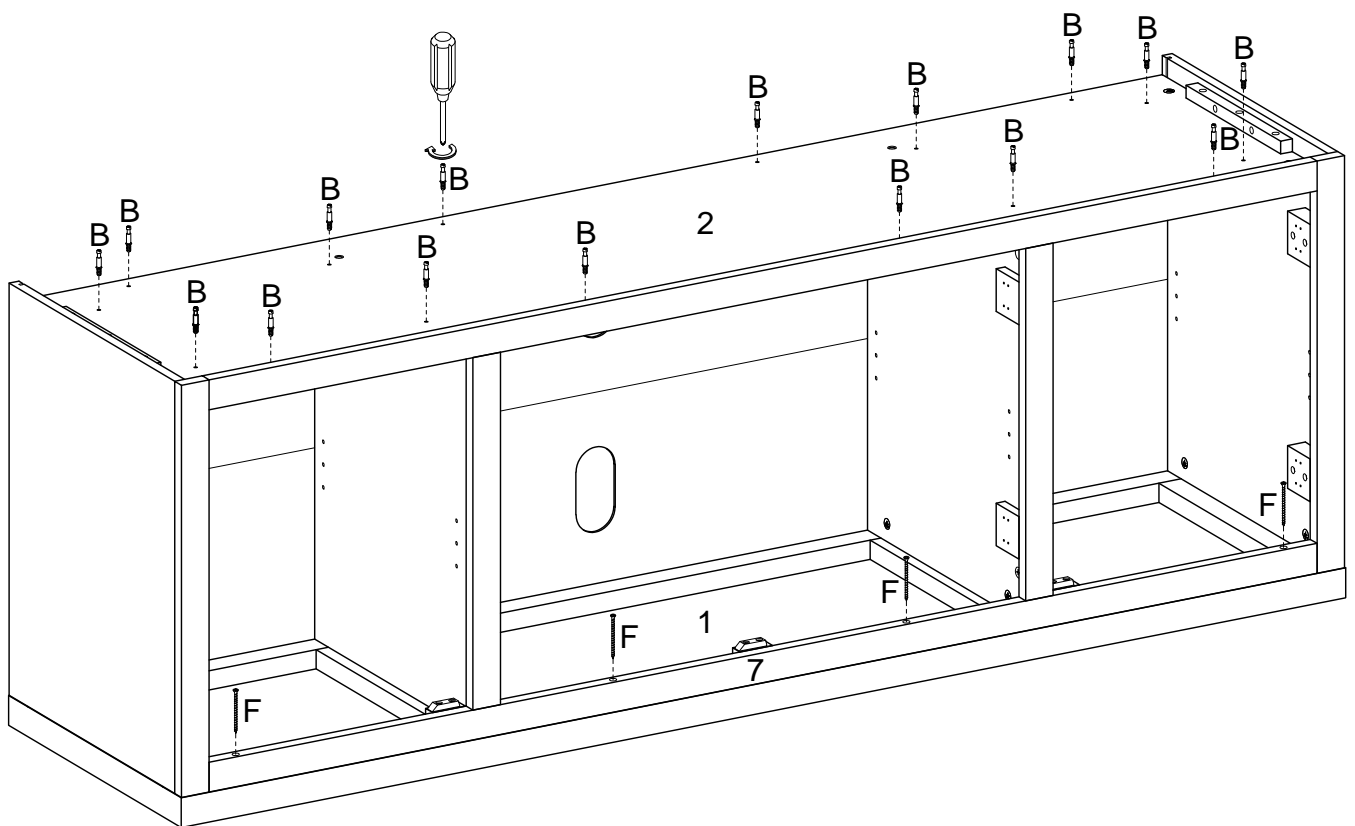
Step 8

Place the Top Panel (1) on top, making sure the cam bolts and dowels align perfectly. Lock it down with cam locks (C).



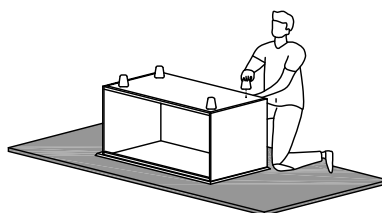
Step 9

Carefully turn the whole thing onto the Top Panel (1). Screw in cam bolts (B) to the Bottom Frame (2) and screws (F) into the Top Rail (7).



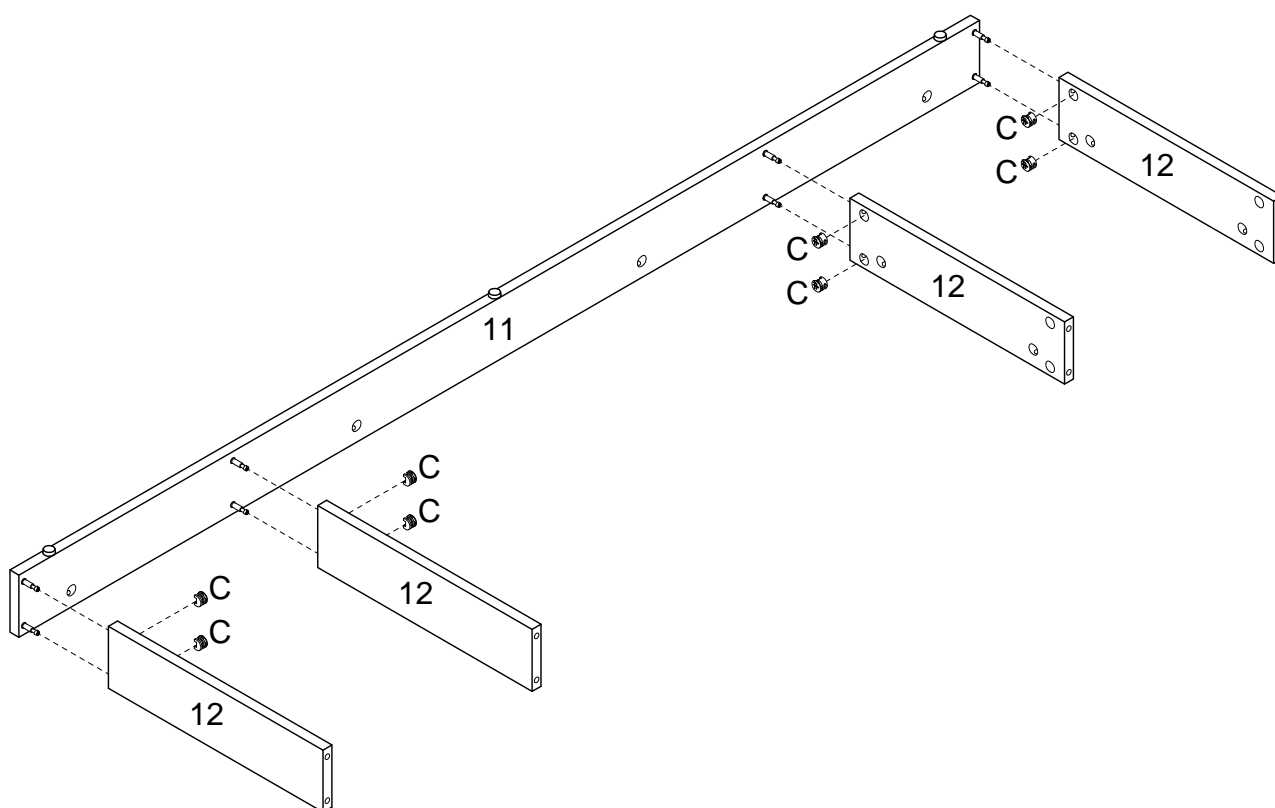
Tip

To keep your product looking its best and scratch-free, try assembling it on a soft surface like carpet or a blanket. This helps prevent any accidental scratches and keeps your furniture in top shape!



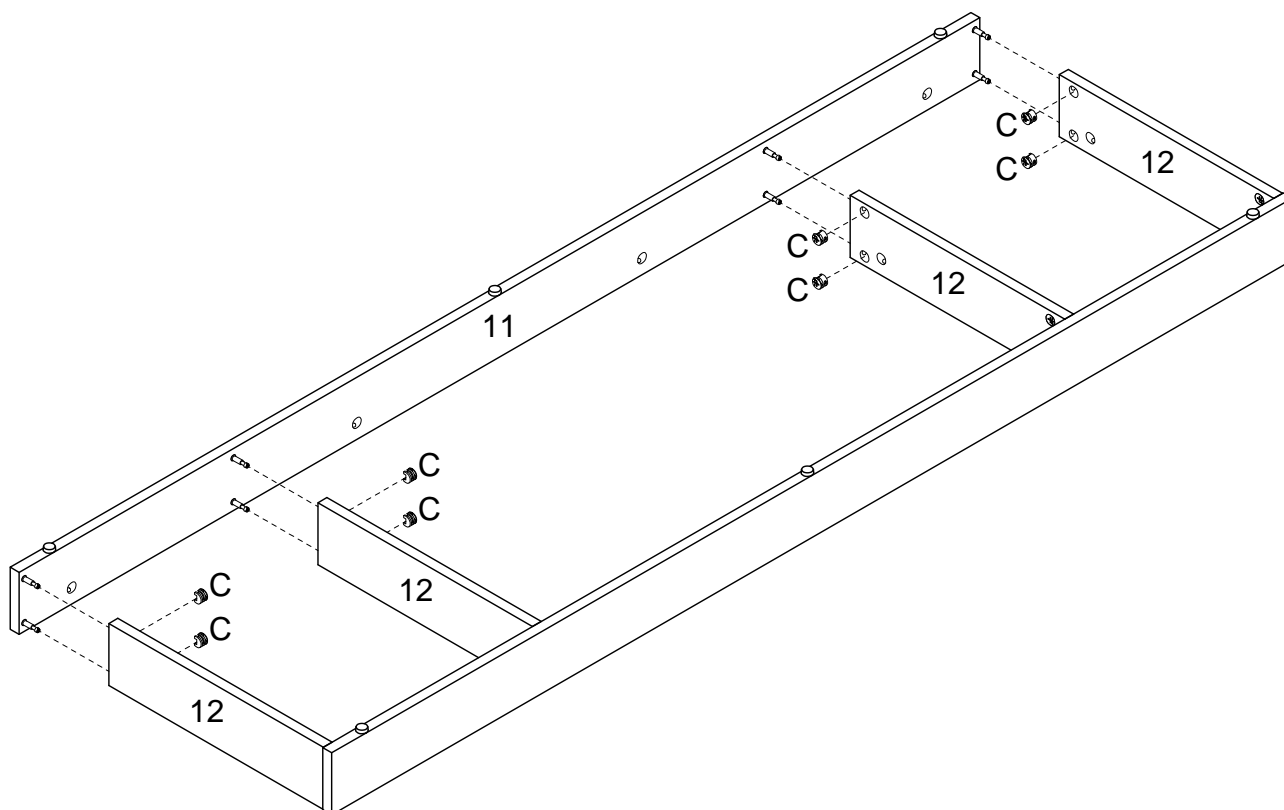
Step 10

Secure the Short Aprons (12) to the Long Apron (11) with cam bolts (C).



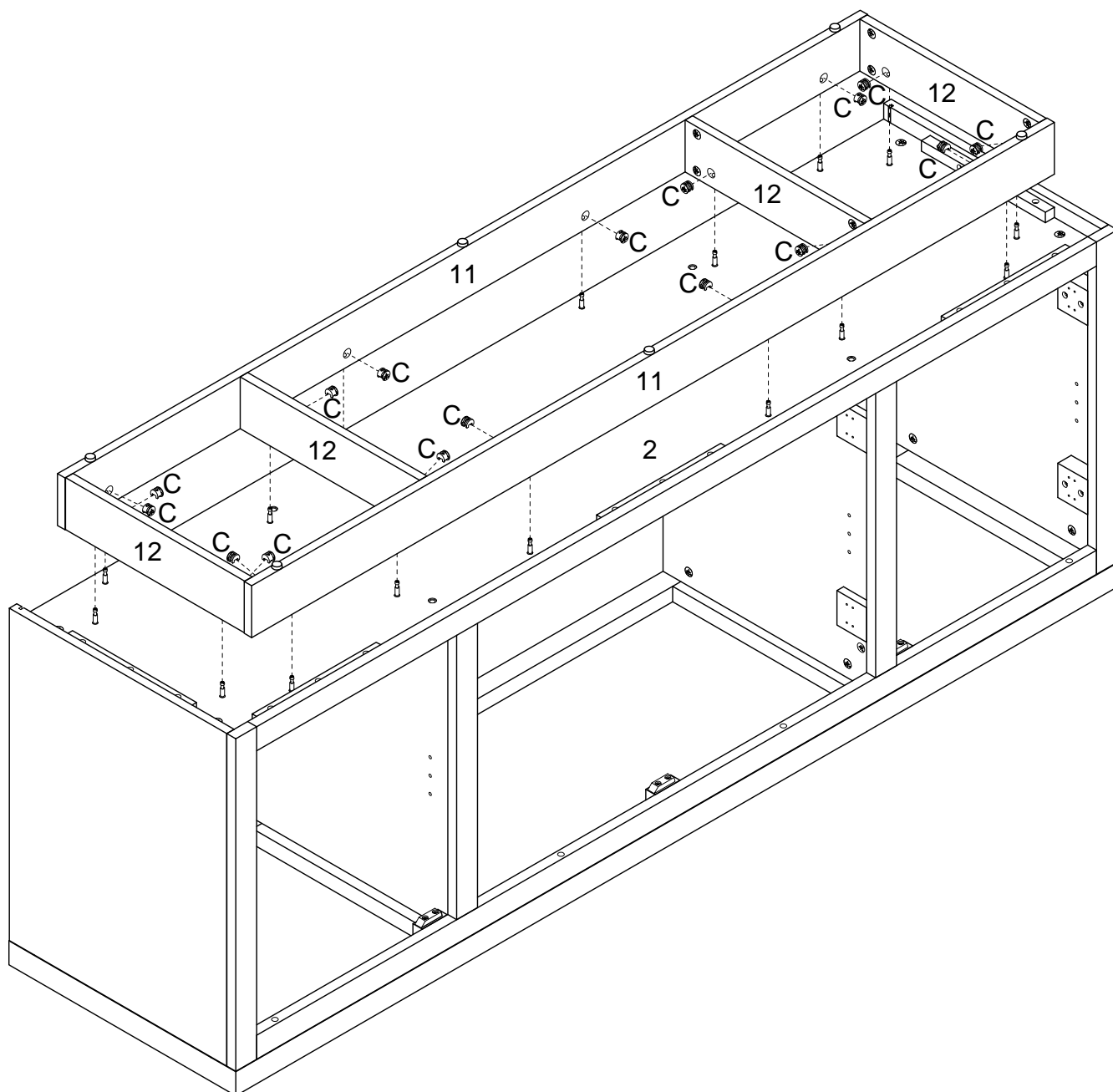
Step 11

Attach the other Long Apron (11) to the Short Aprons (12) again with cam bolts (C). Plinth base is built!



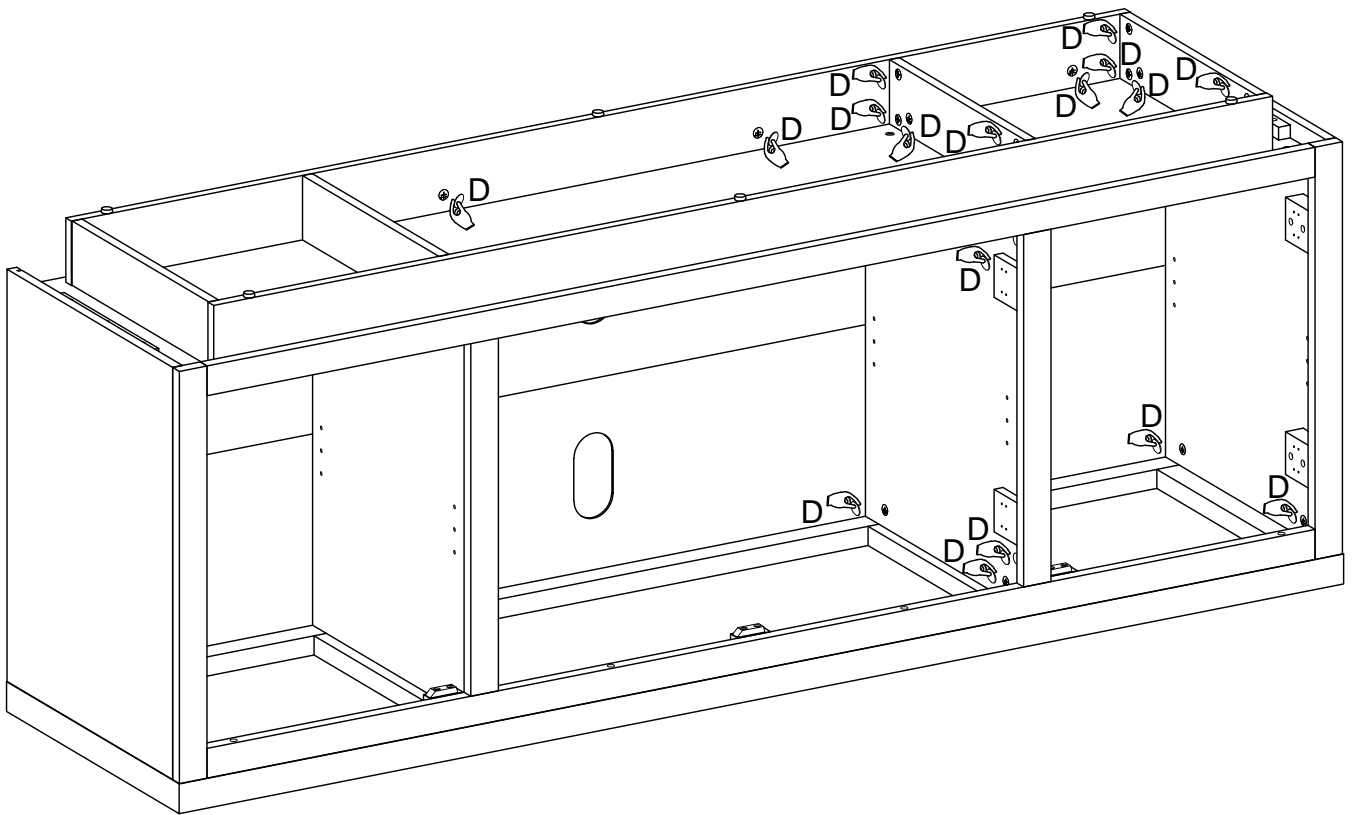
Step 12

Place the plinth base you just built on the Bottom Frame (2) aligning with the cam bolts and secure with cam locks (C).



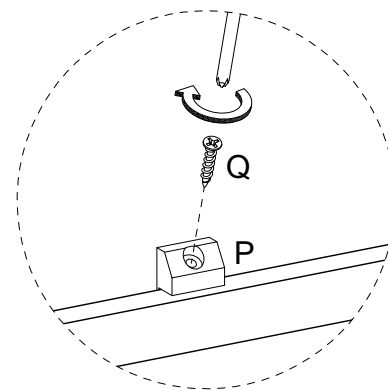
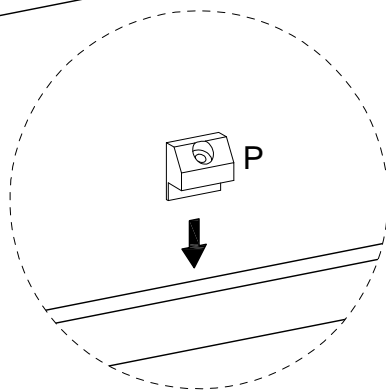
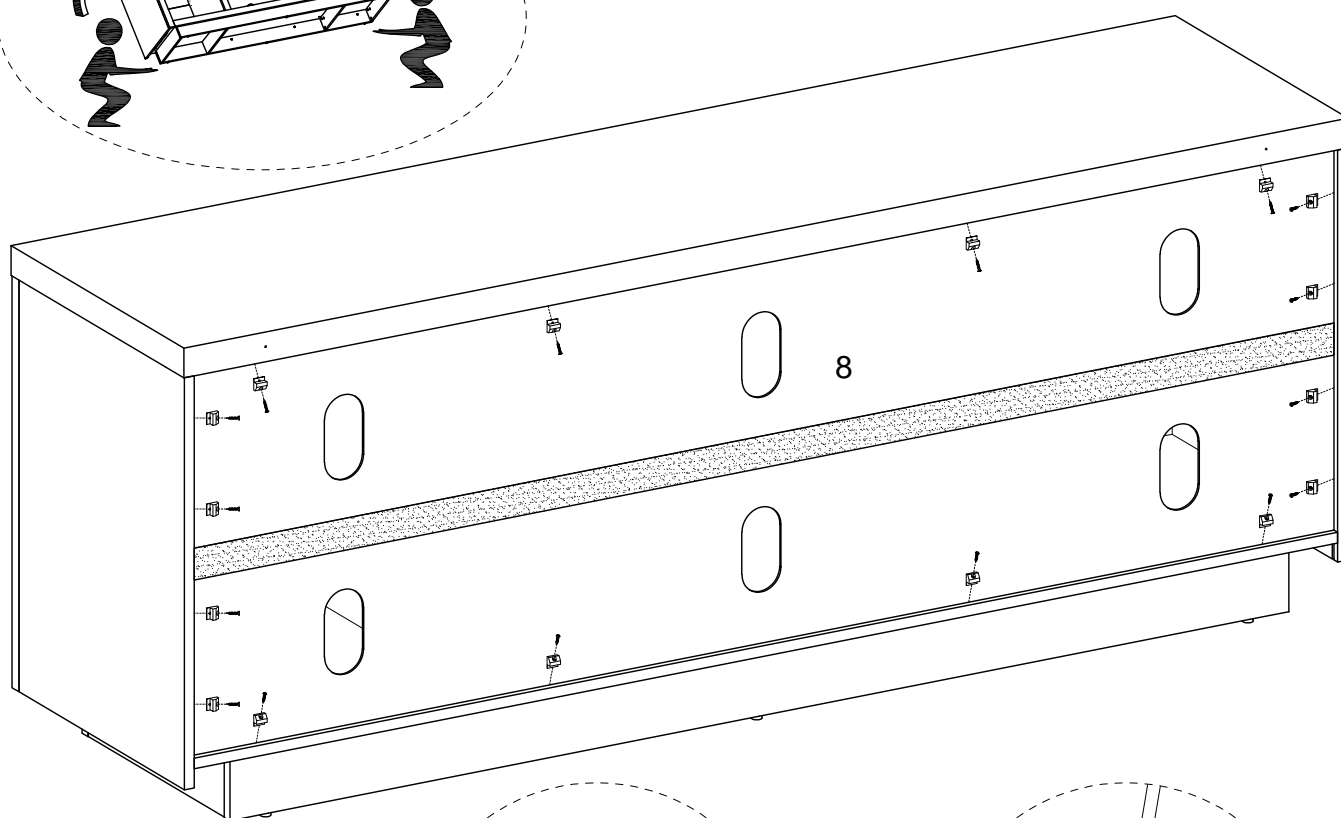
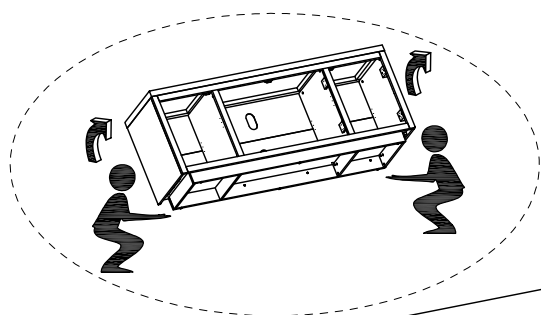
Step 13

Cover the cam locks with stickers (D).



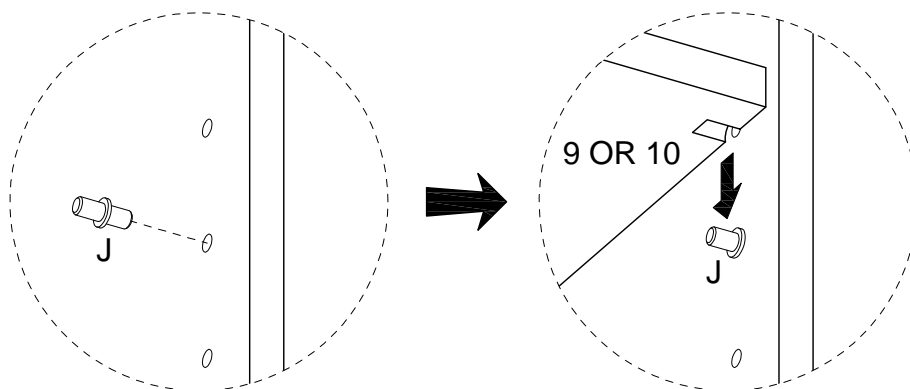
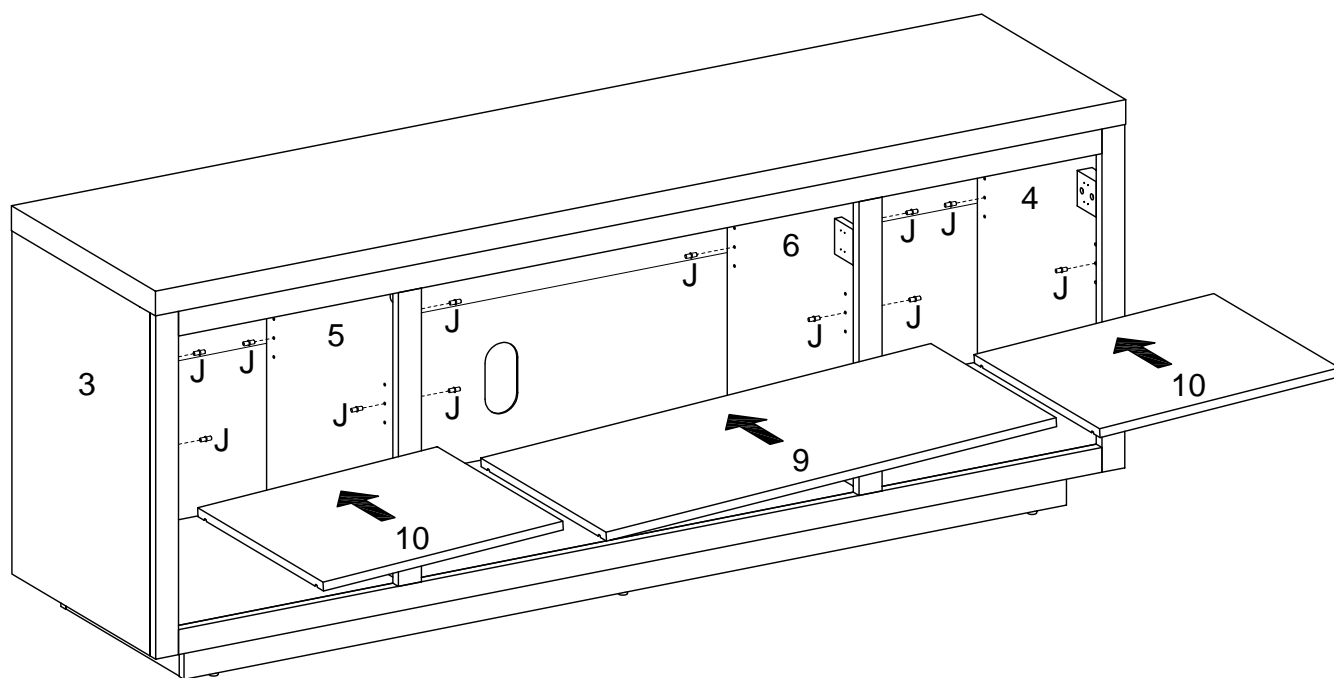
Step 14

Carefully turn the whole thing upright. Insert the plastic wedges (P) into the edges of the back panels and secure them with screws (Q). Stability is key!



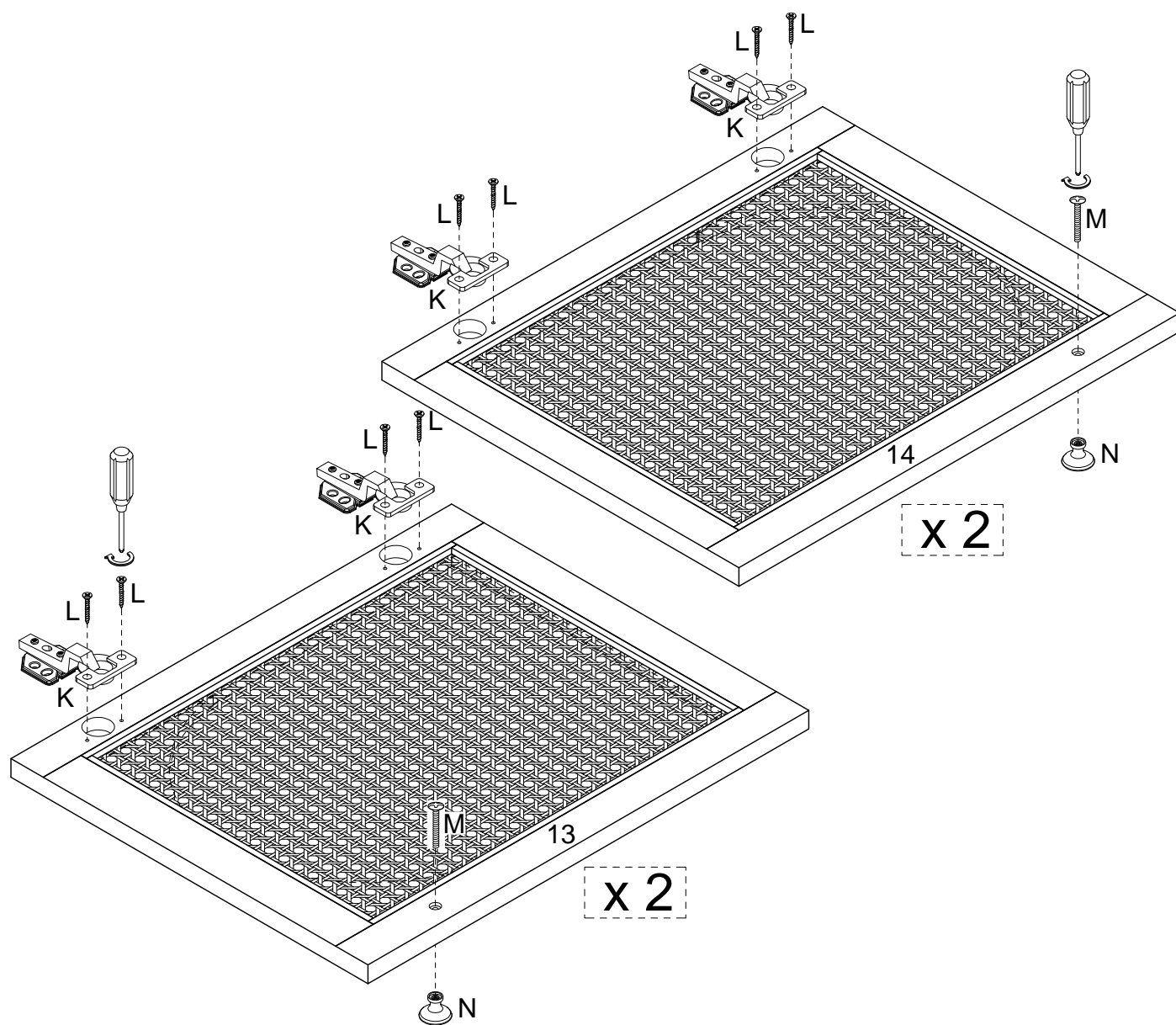
Step 15

Pop in the Shelf Support Pins (J), then place the shelves (9 & 10) into the case. Look at all that storage space!



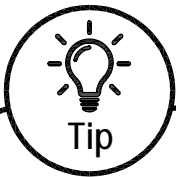
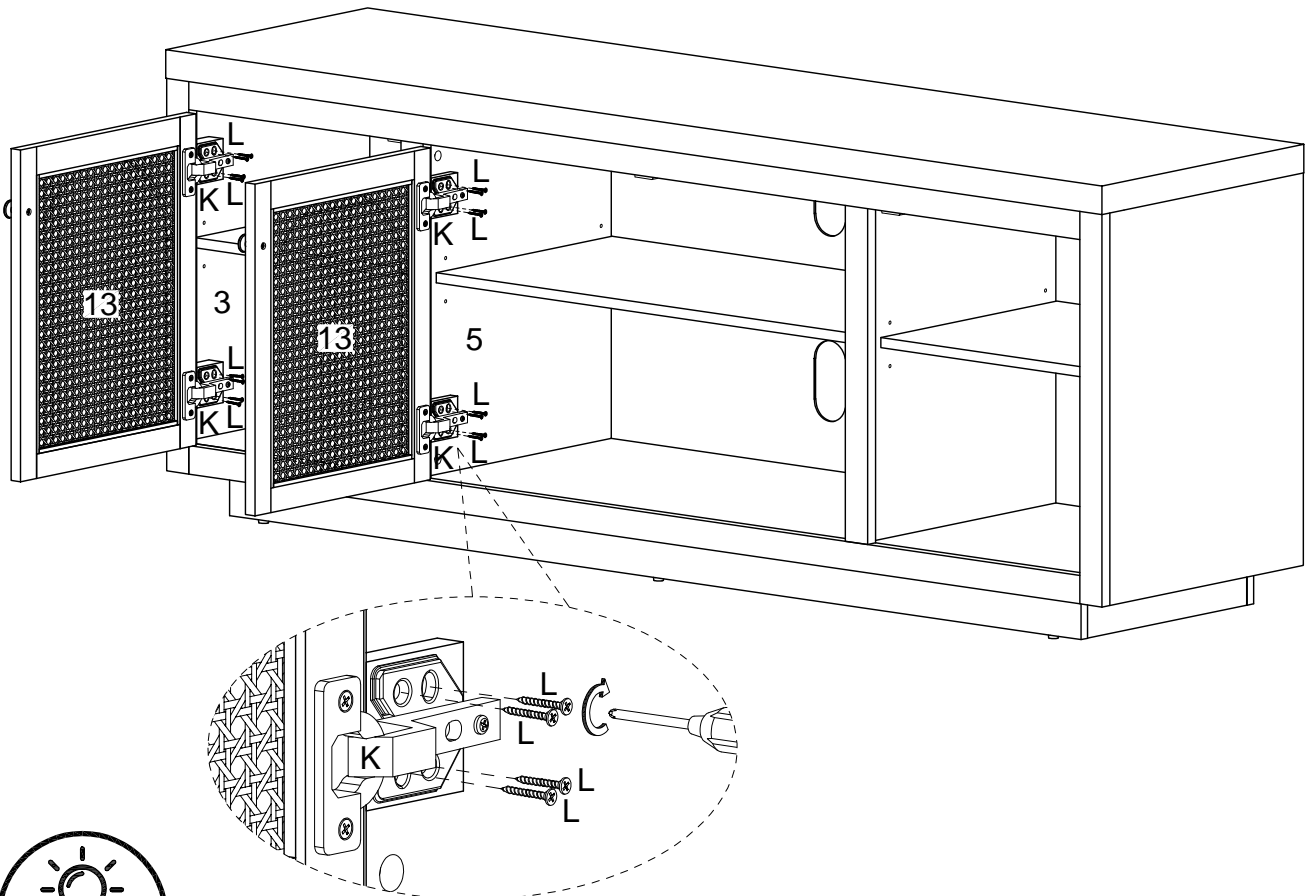
Step 16

Attach the hinges (K) to the Doors (13 & 14) using screws (L).
Then, add the handles (N) with the bolts (M).

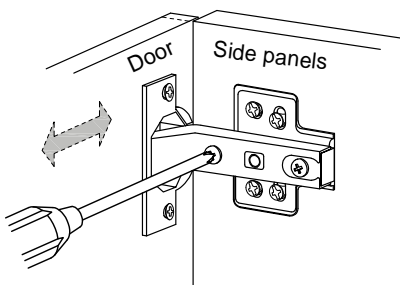


Step 17

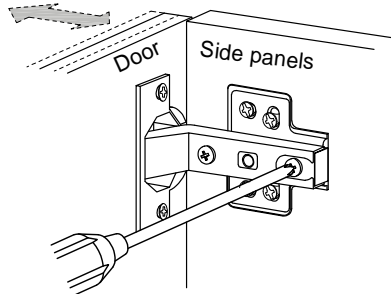
Secure the Left Door (13) to the case using screws (L).



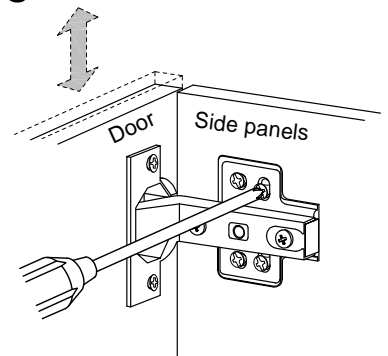
Adjusting The Cabinet Doors



Adjust horizontal width with this screw.



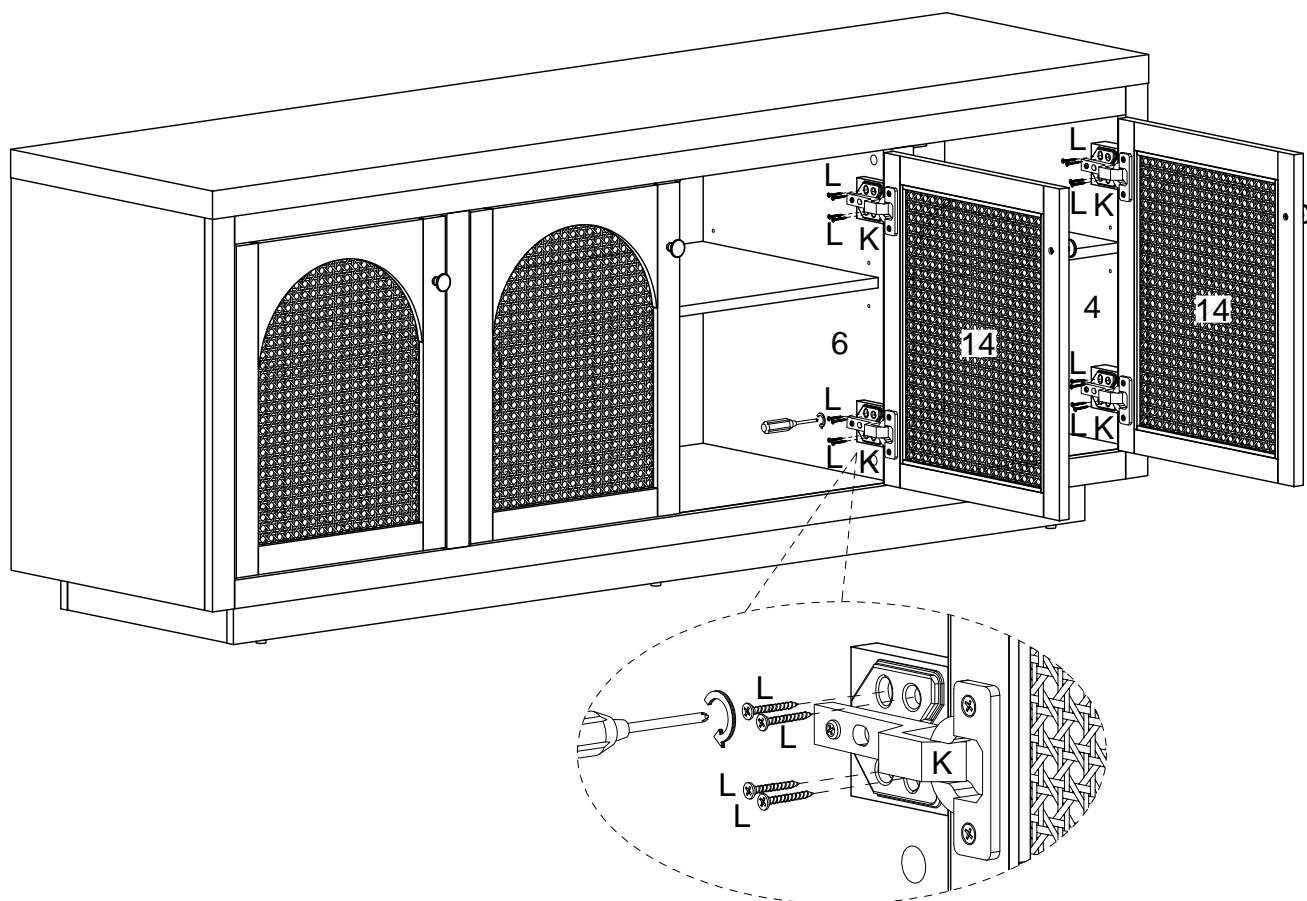
Adjust depth position by loosening the hinge arm mounting screw.



Adjust vertical height via the screws in the mounting plate.

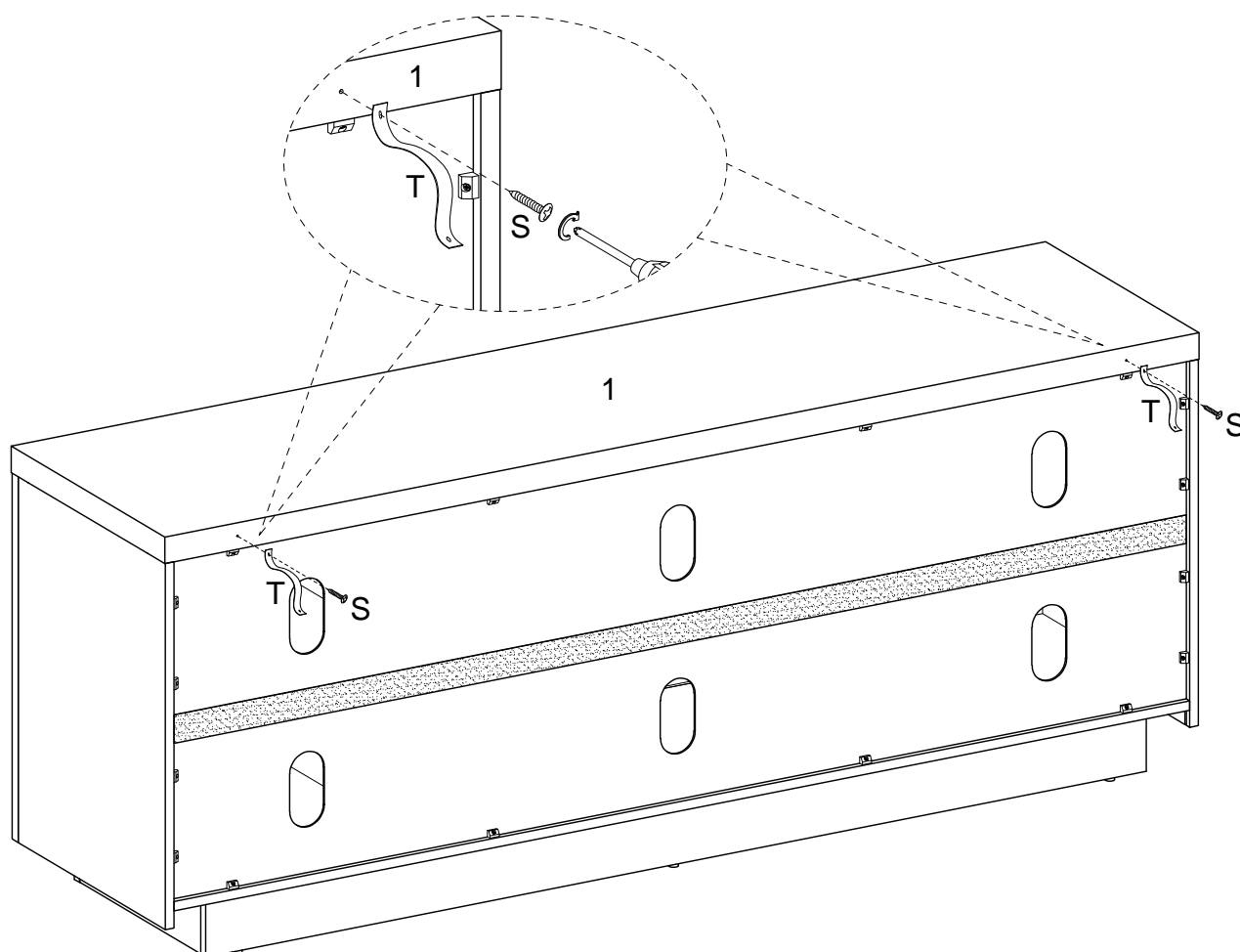
Step 18

Repeat Step 17 with the Right Door (14).



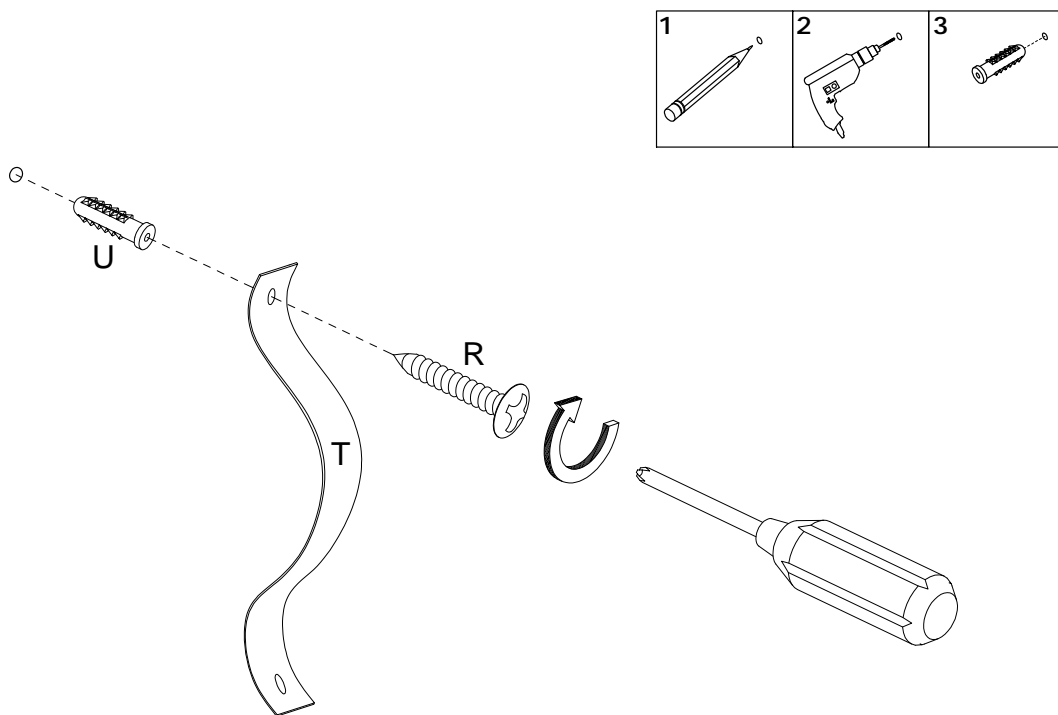
Step 19

Grab the tip kit and secure the plastic strap (T) to the Top Panel (1) using screws (S).



Step 20

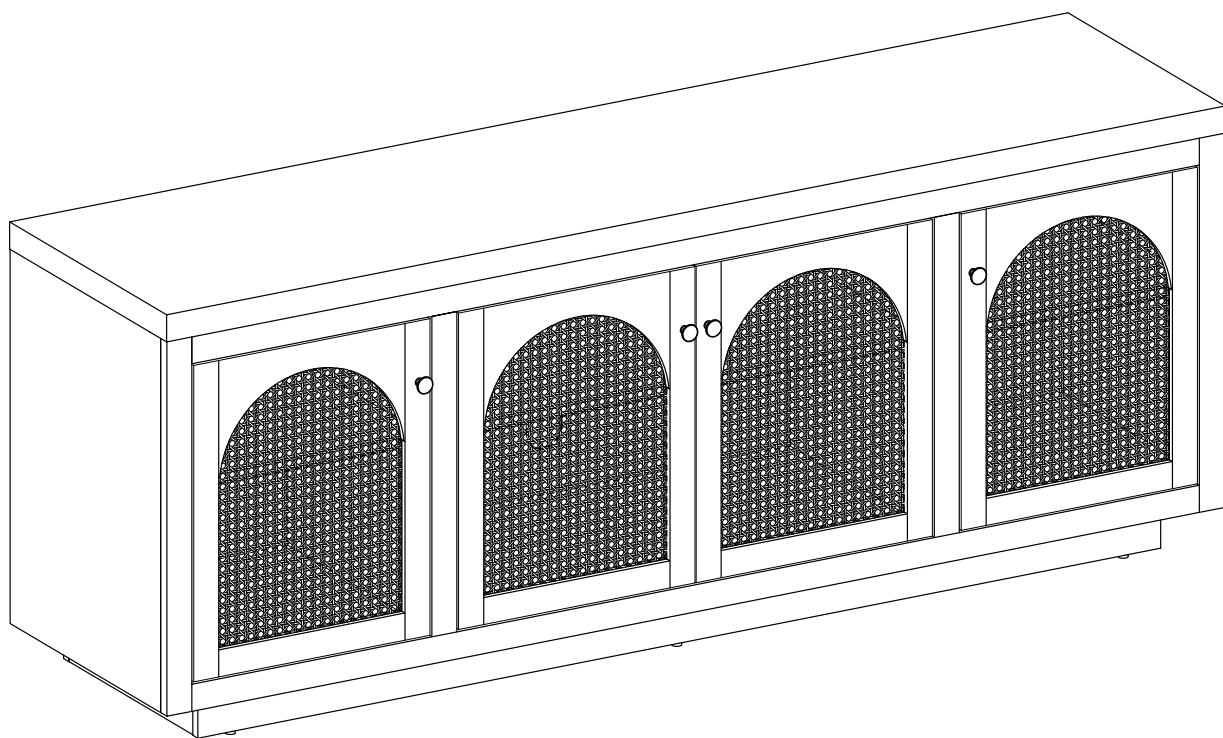
Attach the other end of the plastic strap (T) to your wall with the wall anchor (U) and screw (R). No tipping over here—safe and secure!



Warning

Serious or fatal injuries can occur from furniture tipping over. To prevent the furniture from tipping over we recommend that it is permanently fixed to the wall. Wall anchor and hardware are included with this product. Please make sure hardware is suitable for your walls before installing, as different wall materials may require different types of anchors.

Final Assembly



Congratulations on your new piece of furniture!

We would love to hear about it and see it.
Please leave us a review or post a picture with
#mywalkerredisonhome

Assembling furniture can be tricky sometimes.

Our customer service team, located in Utah, is here for product information, help assembling a product, or for any other customer support issue

Call us at **801-433-3008**

Email us at service@walkeredison.com

Visit our Customer Service website at
walkeredison.com/pages/customer-service

We are available to help Monday -Thursday 8am-5pm, Friday
8am-3pm MST

For details on Assembly Videos, Assembly Instructions,
Replacement Parts, and Customer service,
SCAN HERE

