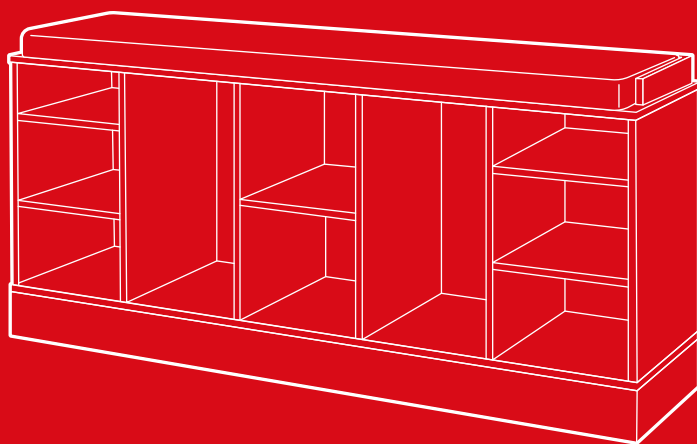




bestchoiceproducts



INSTRUCTION MANUAL

Shoe Storage Rack Bench

! NOTICE

Please retain these instructions for future reference.

- Please do not exceed the weight limitations of this item.
- Do not stand on or use any part of this item as a step ladder.
- Firmly secure all bolts, screws, and knobs before use.
- Reconfirm that all bolts, screws, and knobs are secure every 90 days.
- Do not use or store this item in the proximity of open flame or flammable/combustible chemicals.
- If any parts are missing, broken, damaged, or worn, stop using this item until repairs are made and/or factory replacement parts are installed.
- Do not use this item in a way inconsistent with the manufacturer's instructions as this could void the product warranty.

TOOLS REQUIRED



PHILLIPS
SCREWDRIVER



400 LBS
CAPACITY



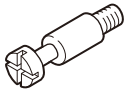
1 PERSON
ASSEMBLY



APPROXIMATELY
45 MIN.
ASSEMBLY

HARDWARE

1 CAM BOLT



30 PCS

2 CAM LOCK



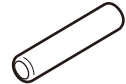
30 PCS

3 M4x35MM
SCREW



33 PCS

4 DOWEL



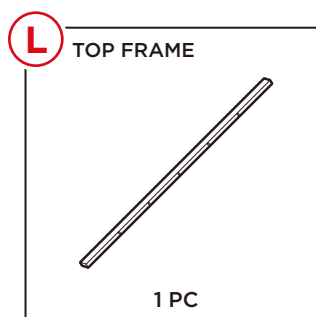
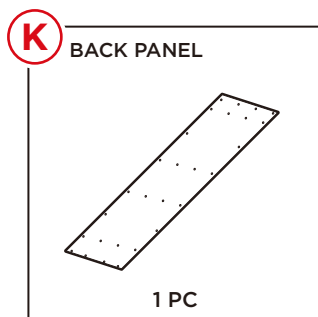
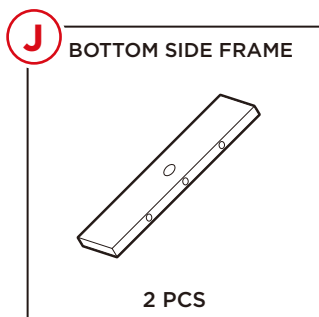
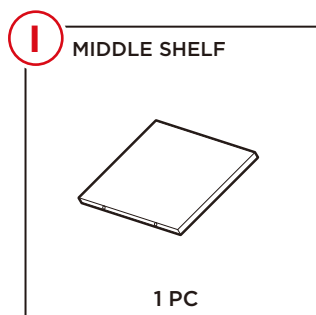
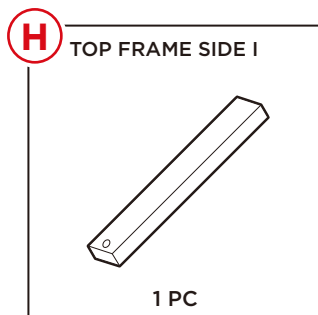
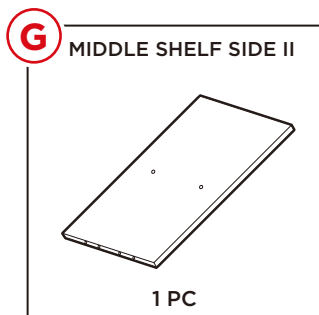
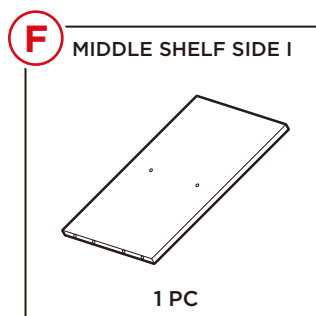
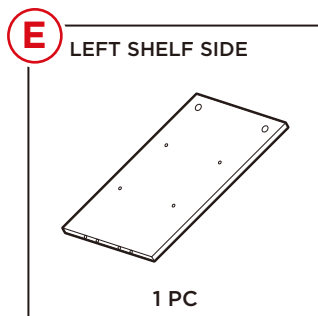
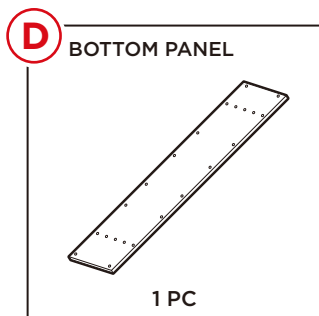
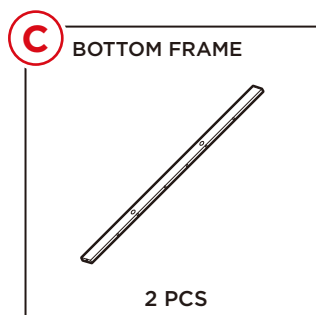
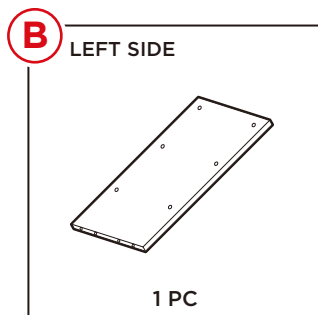
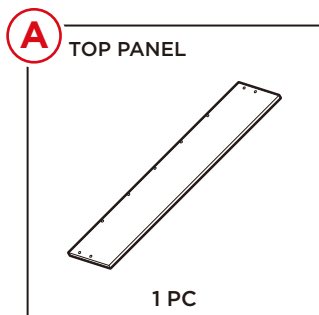
44 PCS

5 M3x14MM
SCREW

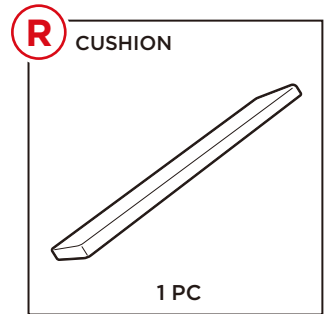
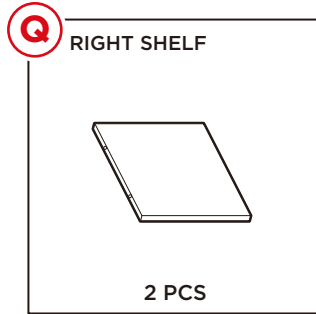
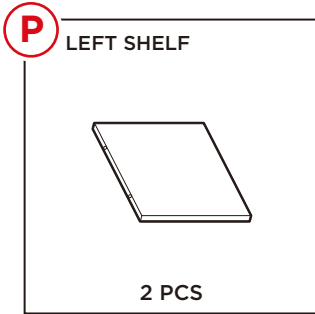
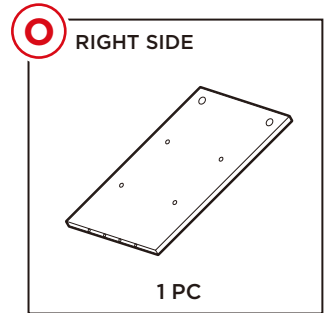
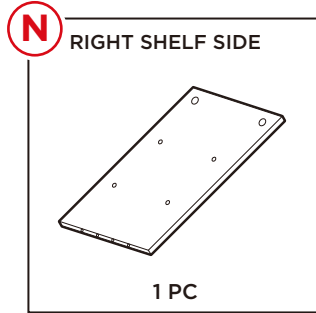
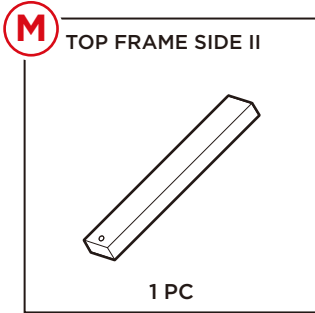


28 PC

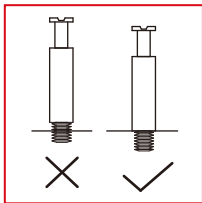
PARTS



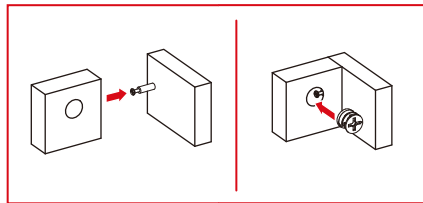
PARTS



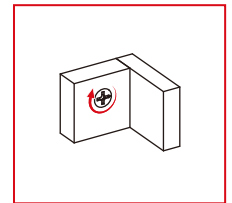
TIGHTENING CAMLOCKS



1. Screw cam bolt in completely.



2. Insert cam bolt and cam lock into designated holes.

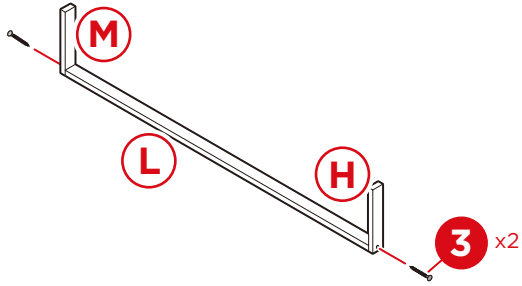


3. Screw cam lock clockwise to secure cam bolt.

PRODUCT ASSEMBLY

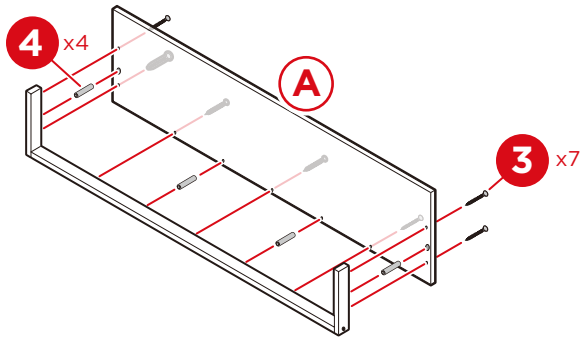
1

Attach part H and part M top frame sides to part L top frame with two part 3 screws.



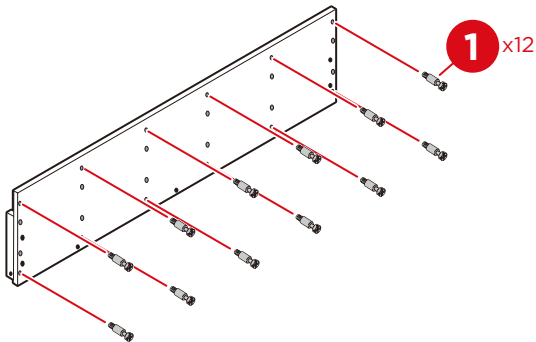
2

Attach the top frame to part A top panel with four part 4 dowels and seven part 3 screws.



3

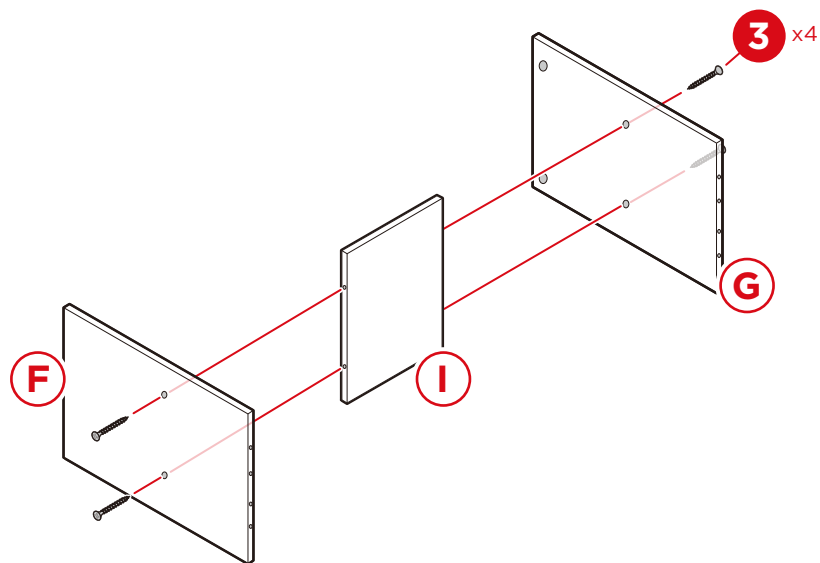
Screw twelve part 1 cam bolts into the other side of the top panel.



PRODUCT ASSEMBLY

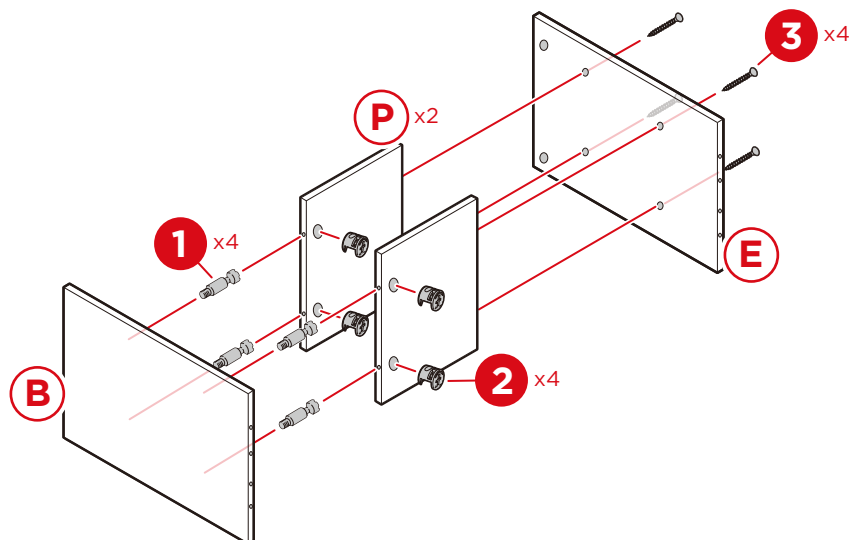
4

Attach part F and part G middle shelf sides to part I middle shelf with four part 3 screws.



5

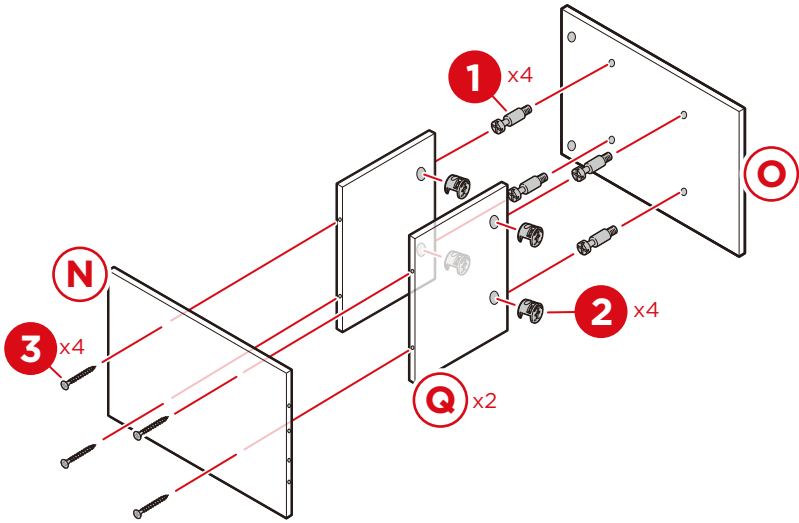
Screw four part 1 cam bolts into part B left side. Attach the left side and part E left shelf side to two part P left shelves with four part 2 cam locks and four part 3 screws.



PRODUCT ASSEMBLY

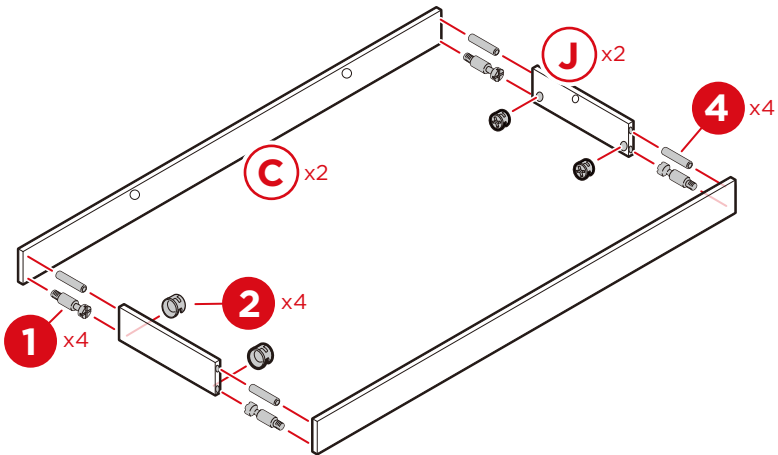
6

Screw four part 1 cam bolts into part O right side. Attach the right side and part N right shelf side to two part Q right shelves with four part 2 cam locks and four part 3 screws.



7

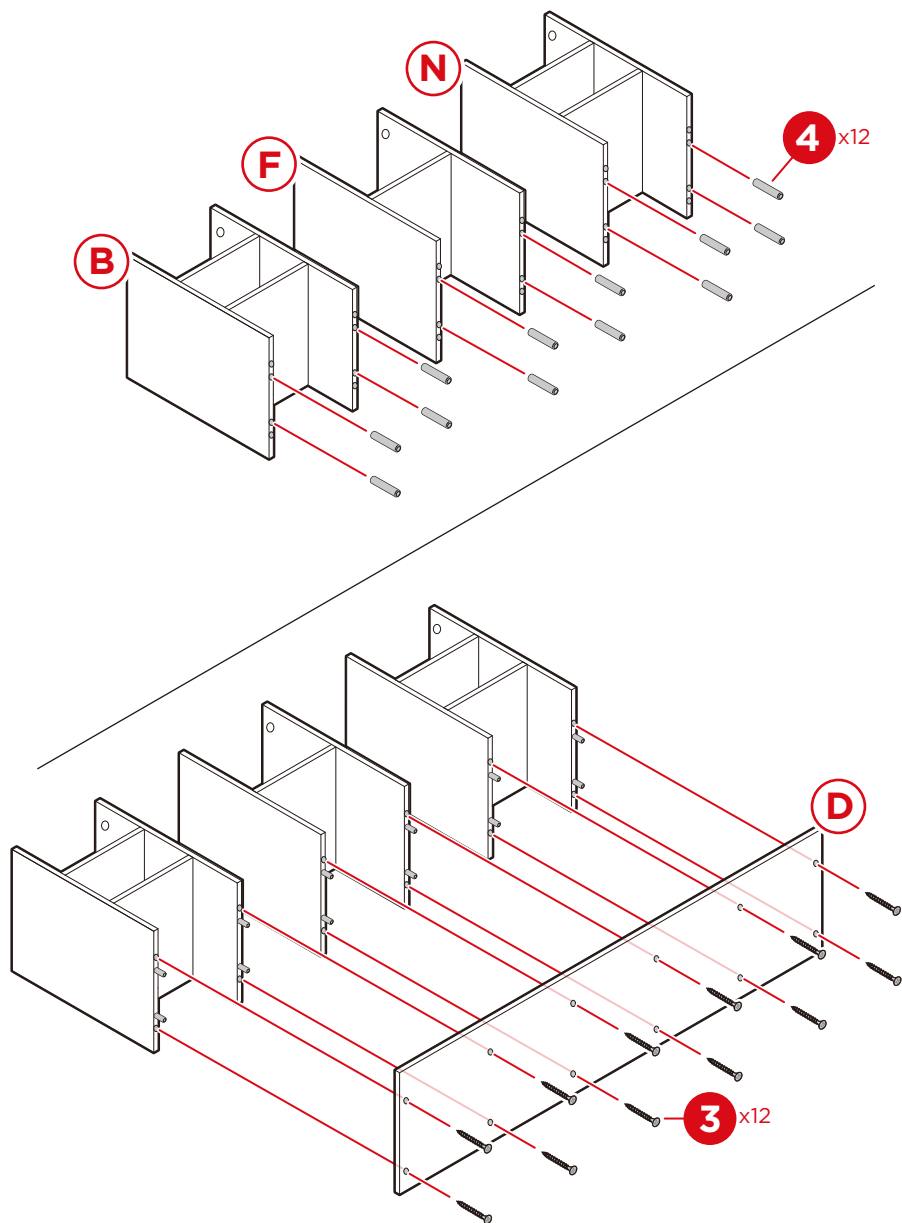
Screw four part 1 cam bolts into two part C bottom frames. Attach bottom frames to two part J bottom side frames with four part 4 dowels and four part 2 cam locks.



PRODUCT ASSEMBLY

8

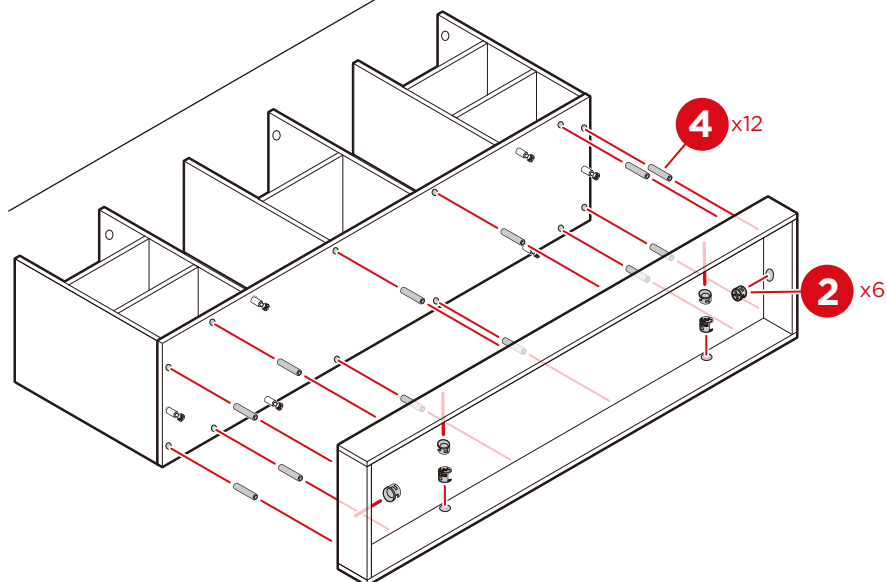
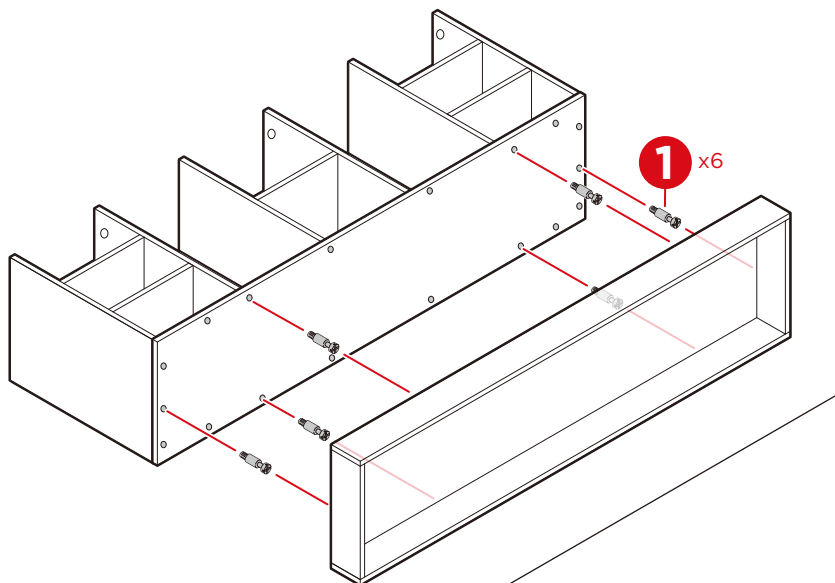
Insert twelve part 4 dowels into the assembled shelves. Attach the part D bottom panel with twelve part 3 screws.



PRODUCT ASSEMBLY

9

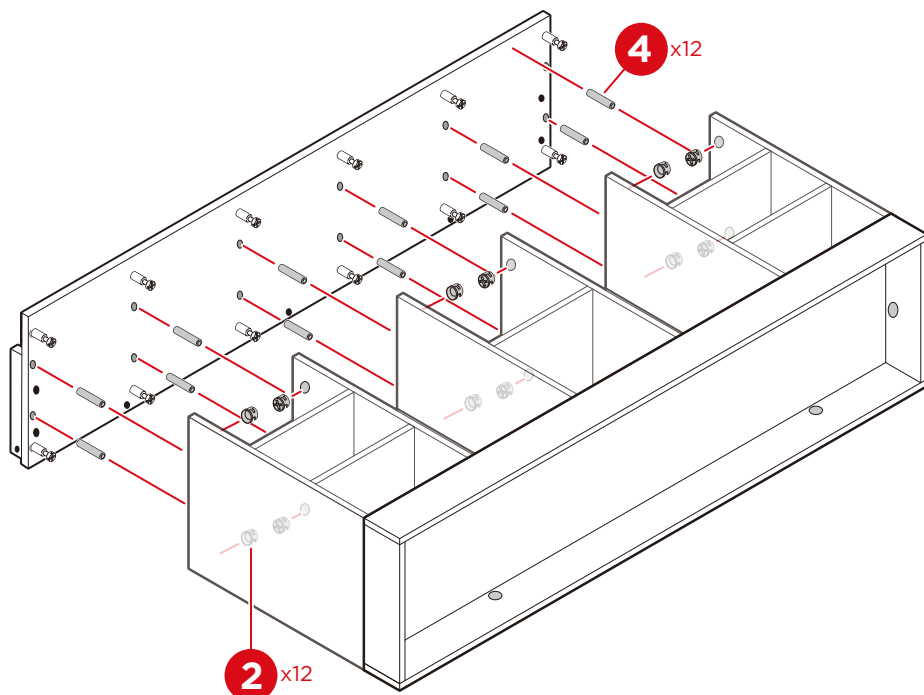
Screw six part 1 cam bolts into the bottom panel. Attach the bottom frame with twelve part 4 dowels and six part 2 cam locks.



PRODUCT ASSEMBLY

10

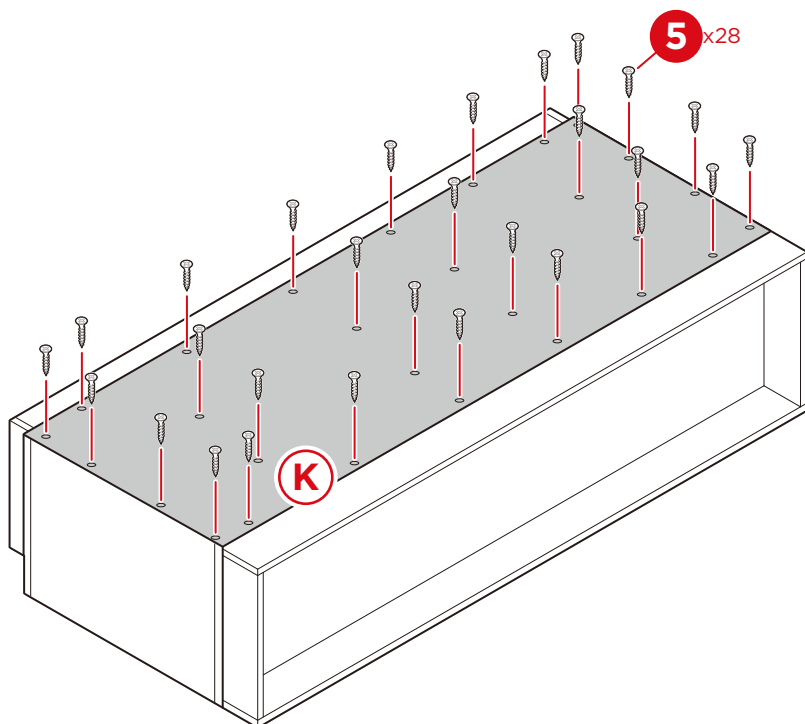
Attach the top panel with twelve part 4 dowels and twelve part 2 cam locks.



PRODUCT ASSEMBLY

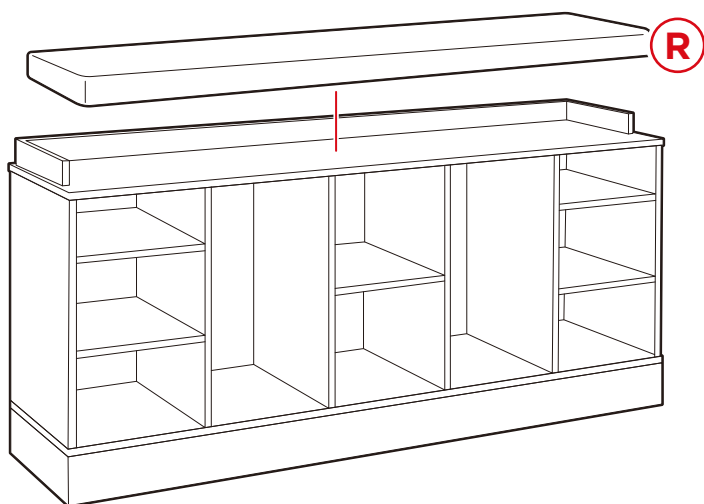
11

Flip the assembly over. Attach the part K back panel with twenty-eight part 5 screws.



12

Place the part R cushion.





HELP CENTER



Question about your product? We're here to help. Visit us at:

help.bestchoiceproducts.com



Chat Support



Product Inquiry



Orders FAQ



Product Assembly



Returns & Refunds

PRODUCT WARRANTY INFORMATION

All items can be returned for any reason within 60 days of the receipt and will receive a full refund as long as the item is returned in its original product packaging and all accessories from its original shipment are included. All returned items will receive a full refund back to the original payment method. All returned items will not be charged a re-stocking fee.

All returned items require an RA (Return Authorization) number, which can only be provided by a Best Choice Products Customer Service Representative when the return request is submitted. Items received without an RA may not be accepted or may increase your return processing time. Once an item has been received by Best Choice Products, refunds or replacements will be processed within 5 business days.

All returns must be shipped back to the Best Choice Products Return Center at the customer's expense. If the reason for return is a result of an error by Best Choice Products then Best Choice Products will provide a pre-paid shipping label via email. Boxes for return shipping will not be provided by Best Choice Products, and is the customer's responsibility to either use the original shipping boxes or purchase new boxes.

Pictures may be required for some returns to ensure an item is not damaged prior to its return. Items returned are not considered undamaged until they are received by Best Choice Products and verified as such. All damages to items are the customer's responsibility until the item has been received by and acknowledge by Best Choice Products as undamaged.



WARNING

Manufacturer and seller expressly disclaim any and all liability for personal injury, property damage or loss, whether direct, indirect, or incidental, resulting from the incorrect attachment, improper use, inadequate maintenance, unapproved modification, or neglect of this product.