

► **Code Number**

3912654

► **SPECIFICATIONS**

Description

Exposed, Battery Powered, Side Mount Sensor Operated Urinal Flushometer for ¾" top spud urinals.

Flush Cycle

Model 186-0.125-SMO (0.125 gpf/0.5 Lpf)

Specifications

Quiet, Exposed, Diaphragm Type, Chrome Plated Urinal Flushometer with the following features:

- Flush Accuracy Controlled by CID Technology
- Spud Coupling and Flange for ¾" Top Spud
- Chrome Plated Infrared Sensor Housing
- "User in View" Flashing LED
- No External Volume Adjustment to Ensure Water Conservation
- Infrared Sensor Range Adjustment Screw and Reset Button
- Sweat Solder Adapter w/Cover Tube and Cast Wall Flange w/Set Screw
- Stop Seat and Vacuum Breaker molded from PERMEX® Rubber Compound for Chloramine Resistance
- ¾" I.P.S. Screwdriver Bak-Chek® Straight Stop with Free Spinning, Vandal Resistant Stop Cap
- Four (4) Size C Batteries included
- ADA Compliant OPTIMA® Battery Powered Infrared Sensor for automatic "No Hands" operation
- Angled Sensor Window
- Manual Override Flush Button
- "Low Battery" Flashing LED with Optional Audio Tone
- Optional 24-Hour Sentinel Flush
- Valve Body, Tailpiece and Control Stop shall be in conformance with ASTM Alloy Classification for Semi-Red Brass. Valve shall be in compliance with the applicable sections of ASSE 1037, ANSI/ASME A112.19.2.

► **Variations**

- DBP - Dual-Bypass Diaphragm
- SMO - Side Mount Operator

► **ELECTRICAL SPECIFICATIONS**

Control Circuit

- Solid State
- 6 VDC Input



► **FEATURES**

Automatic Operation

Sloan OPTIMA SMO equipped Flushometers provide the ultimate in sanitary protection and automatic operation. There is no need for AC hookups or wall alterations. The Flushometer operates by means of a battery powered infrared sensor. Once the user enters the sensor's effective range and then steps away, the Side Mount Unit initiates the flushing cycle to flush the fixture.

Economical

Automatic operation provides water usage savings over other flushing devices. Reduces maintenance and operation costs. Installation does not require turning off water to the valve.

Hygienic

User makes no physical contact with the Flushometer surface except to initiate the Override Button when required. Helps control the spread of infectious diseases.

► **Compliance & Certifications**



This space for Architect/Engineer Approval

► **FUNCTION SETTINGS**

Sensor Type

- Infrared Convergence Type Object Lock Detection

Indicator Lights

- User in View

Battery Type

- (4) C Alkaline

Battery Life

- 6 Years @ 4,000 flushes/month

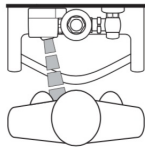
Sensor Range

- Nominal 8" - 54" (203 mm- 1372 mm), Factory Set at 24" (610 mm)

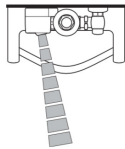
Operating Pressure

- 15-100 psi (104-689 kPa)

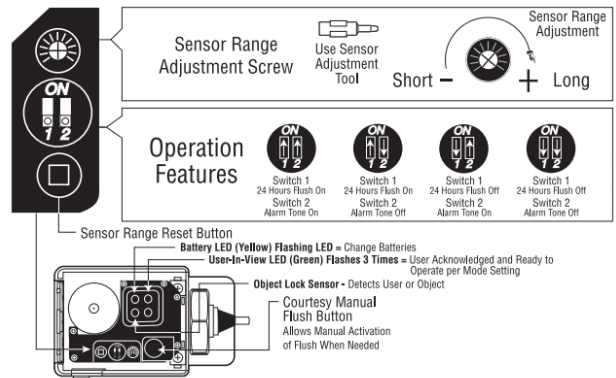
► OPERATION



- As the user enters the beam's effective range, 8" to 54" (203 mm - 1372 mm), the Object Lock Infrared Sensor senses the user.



- When the user steps away from the object lock Infrared sensor, the circuit initiates the flushing cycle to flush the fixture. The circuit then automatically resets and is ready for the next user.



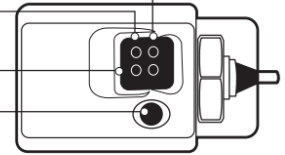
► VISUAL INDICATOR GUIDE

USER-IN-VIEW L.E.D. — Green light flashes 3 times after 5 second delay when a user is in view. The green light flashes constantly when a user is in view during the 7 minute start up sequence.

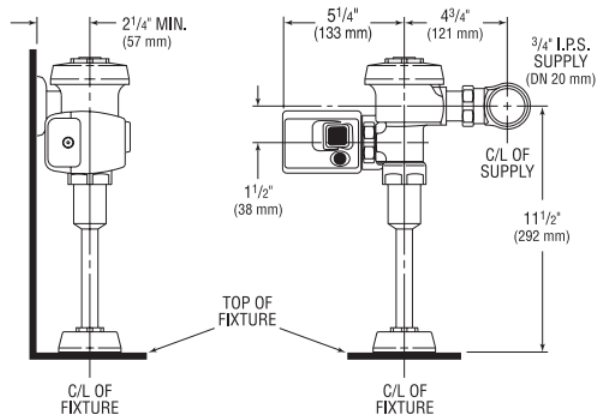
BATTERY L.E.D. — Yellow light flashes indicating it is time to replace batteries with four (4) new Type "C" batteries.

OBJECT LOCK SENSOR — Detects user or object.

COURTESY MANUAL FLUSH BUTTON — Allows manual activation of flush when needed.



► ROUGH-IN



Includes EBV-89-A Side Mount Operator