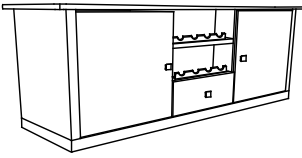
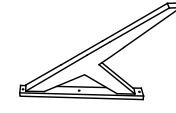
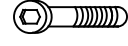



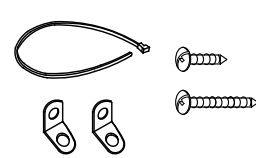
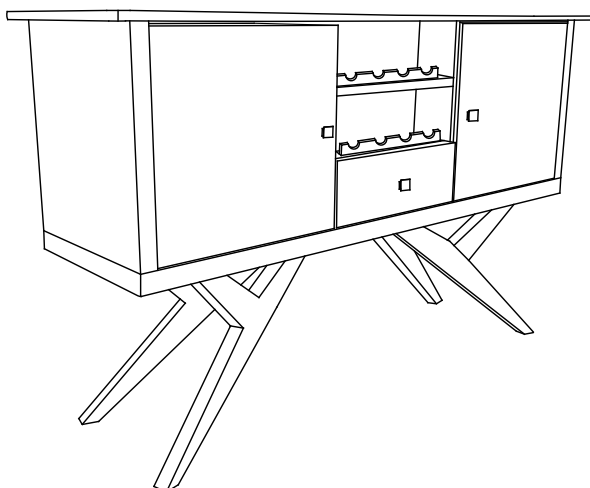


ASSEMBLY INSTRUCTION

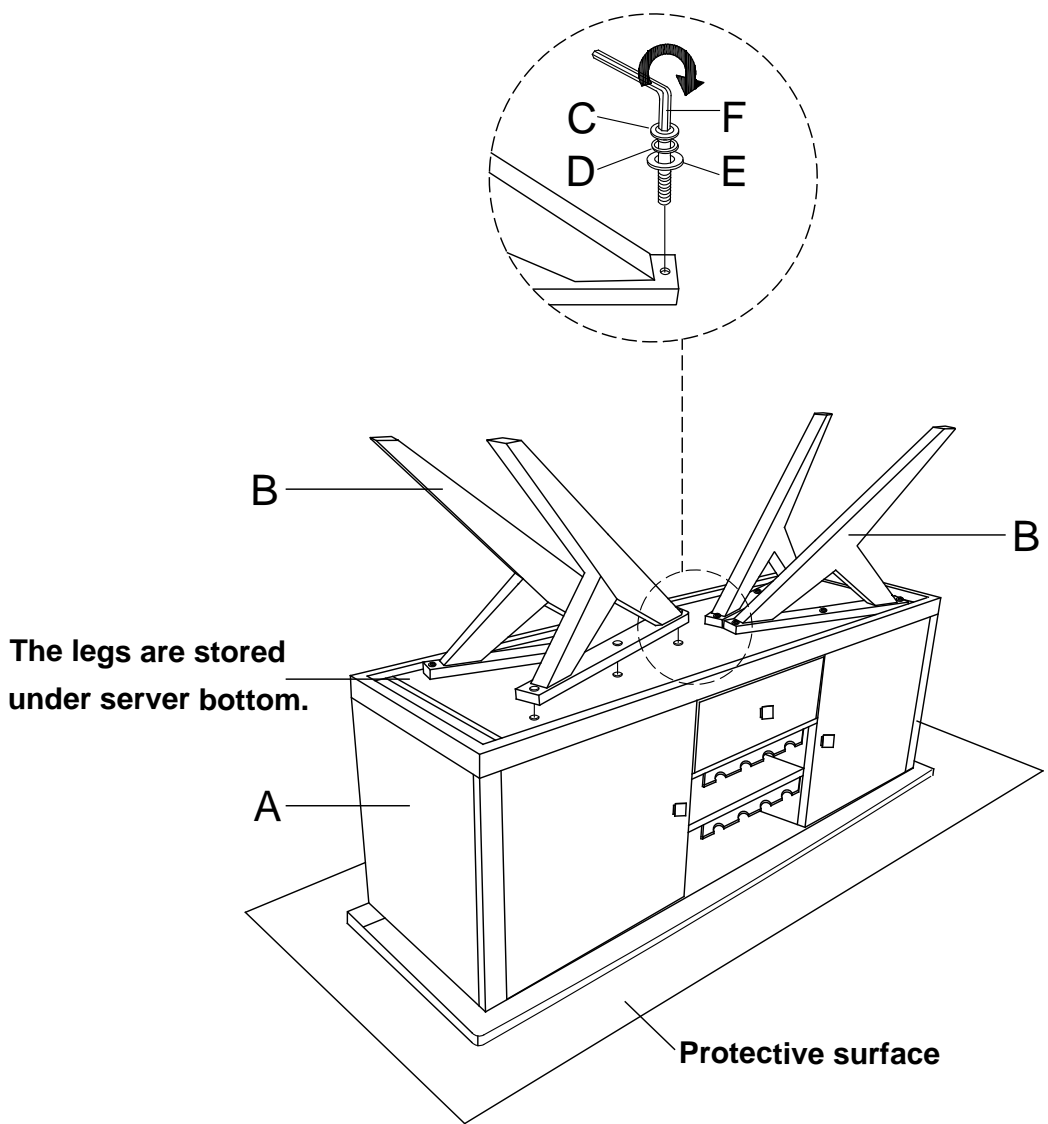
SERVER

A Server 	B Leg (stored under server bottom) 	C JCBC Bolt M6x40mm 	D Lock Washer M8 
1 pc	4 pcs	12 pcs	12 pcs
E Flat Washer M8 	F Allen Key M4 	G Anti-Tipping Kit 	
12 pcs	1 pc	1 set	



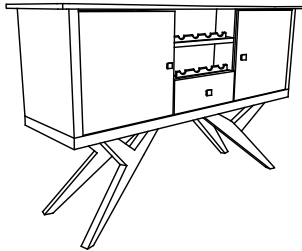
This page lists all the contents included in the box. Please take the time to identify the hardware as well as the individual components to this product. As you unpack and prepare for assembly, place the contents on a carpeted or padded area to protect them from damage.

1 Place the Server (A) on the protective surface. Tighten the Server (A) and Leg (B) by JCBC Bolt (C), Lock Washer (D), Flat Washer (E) and Allen Key (F). ****Do not fully tighten the bolt until all bolts are attached.**



2**PARTS IDENTIFICATION****HARDWARE IDENTIFICATION**

#1 SERVER 1 PC



#A STRAP 1 PC



#B BRACKET 2 PCS



#C SCREW M4x16mm 1 PC

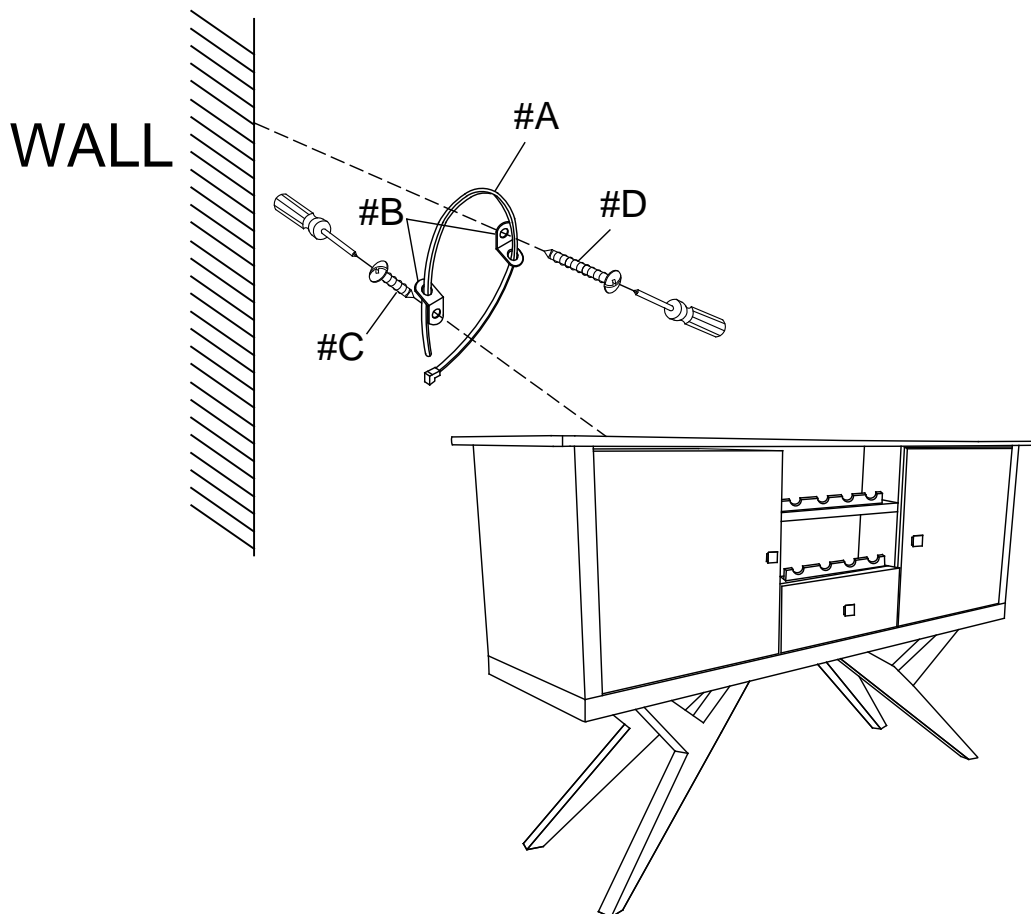


#D SCREW M4x45mm 1 PC



This Anti-Tipping Kit (G) must be attached to a wall stud using the Screw (#D) enclosed.

1. Attach a Bracket (#B) securely to the back top rail of the Server (#1) using the Screw (#C) provided through the smaller hole.
2. Locate the other Bracket (#B) on the wall over a wall stud and 45mm below the mounting bracket secured to the back of your unit. Attach to the wall stud using the Screw (#D) provided through the smaller hole.
3. Place the furniture into position so both mounting Bracket (#B) are vertically in line.
4. Lace the end of the restraint Strap (#A) through the larger hole in each mounting bracket.
5. Confirm that the Strap (#A) is securely laced and locked.

**Cleaning & Care**

Treat surface with care. Surface is resistant to scratches but is not scratch resistant. Clean surface with a dry or damp soft cloth. Do not use abrasive cleaners. Hardware may loosen over time. Periodically check that all connections are tight.