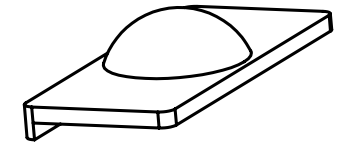
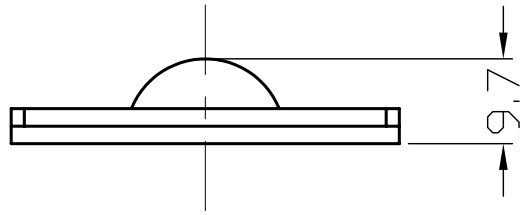
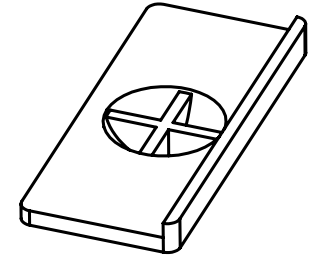
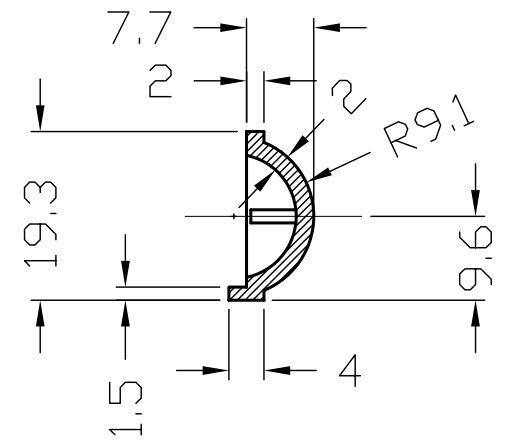
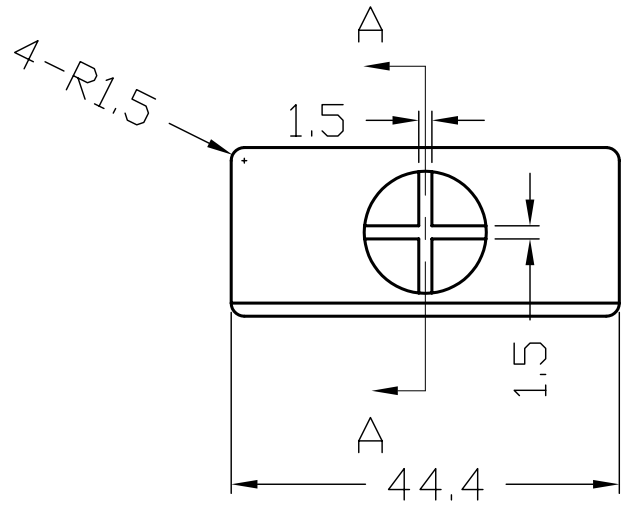


1.6



A-A



Hardware HARDWARE RESOURCES 4319 MARLENA ST, BOSSIER CITY, LA71111 Resources			TOLERANCES OVER ALL LENGTH ANGLES	
PART NO: GLIDE-02	PART NAME:		±0.1MM	±0° 30'
ITEM NO:	SHEET: 1/1	REV:	MATERIAL: PE	WEIGHT: 2g
DATE:	SCALE: FIT	BY:	PLATING:	