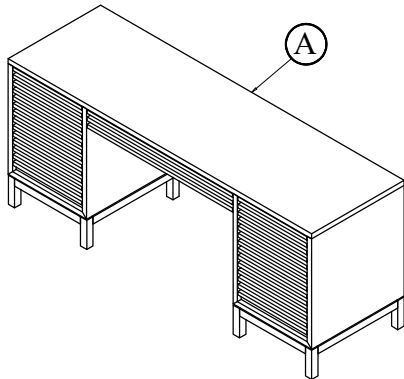


TANNER FILE DRAWER DESK ASSEMBLY INSTRUCTIONS

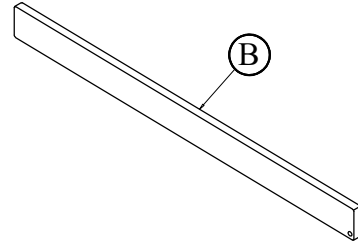


PARTS PACKING CONFIGURATIONS

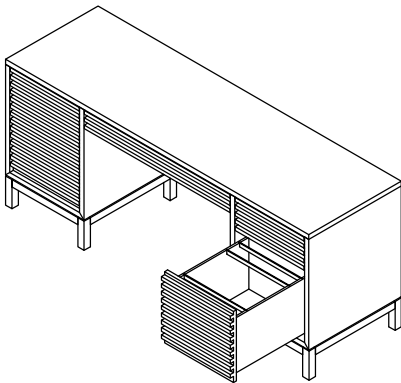
A. DESK 1 PC



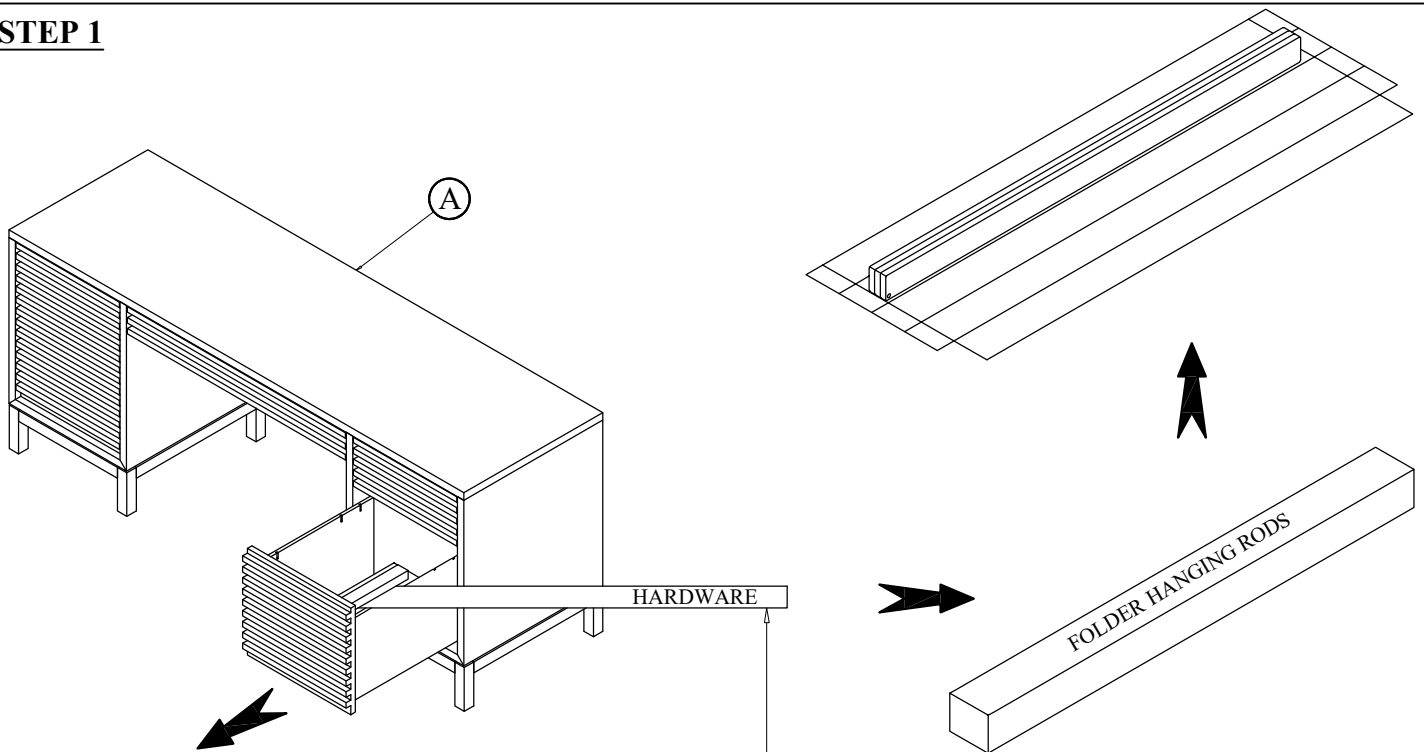
B. FOLDER HANGING RODS 3 PCS



FULLY ASSEMBLED



STEP 1

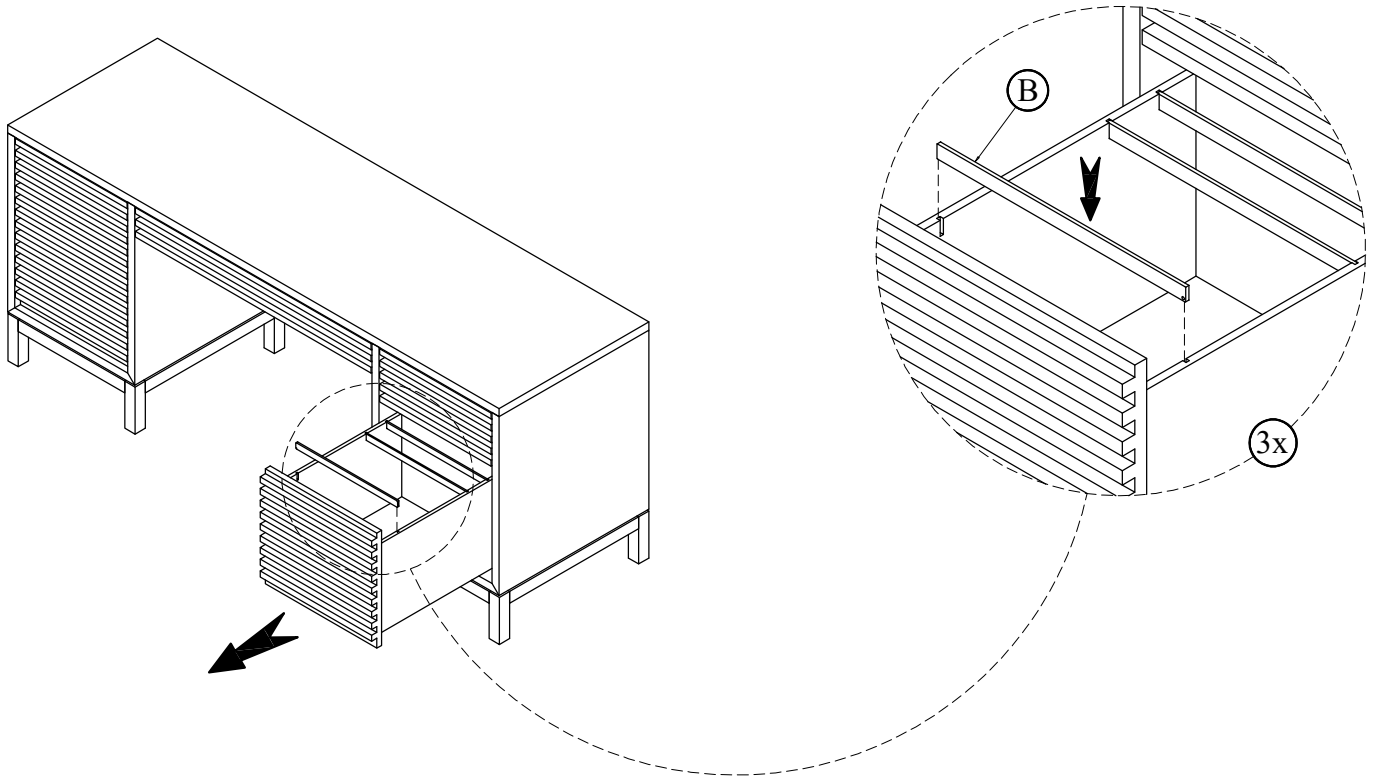


RED STRAP SHOWS
FOLDER HANGING RODS PACKING LOCATION

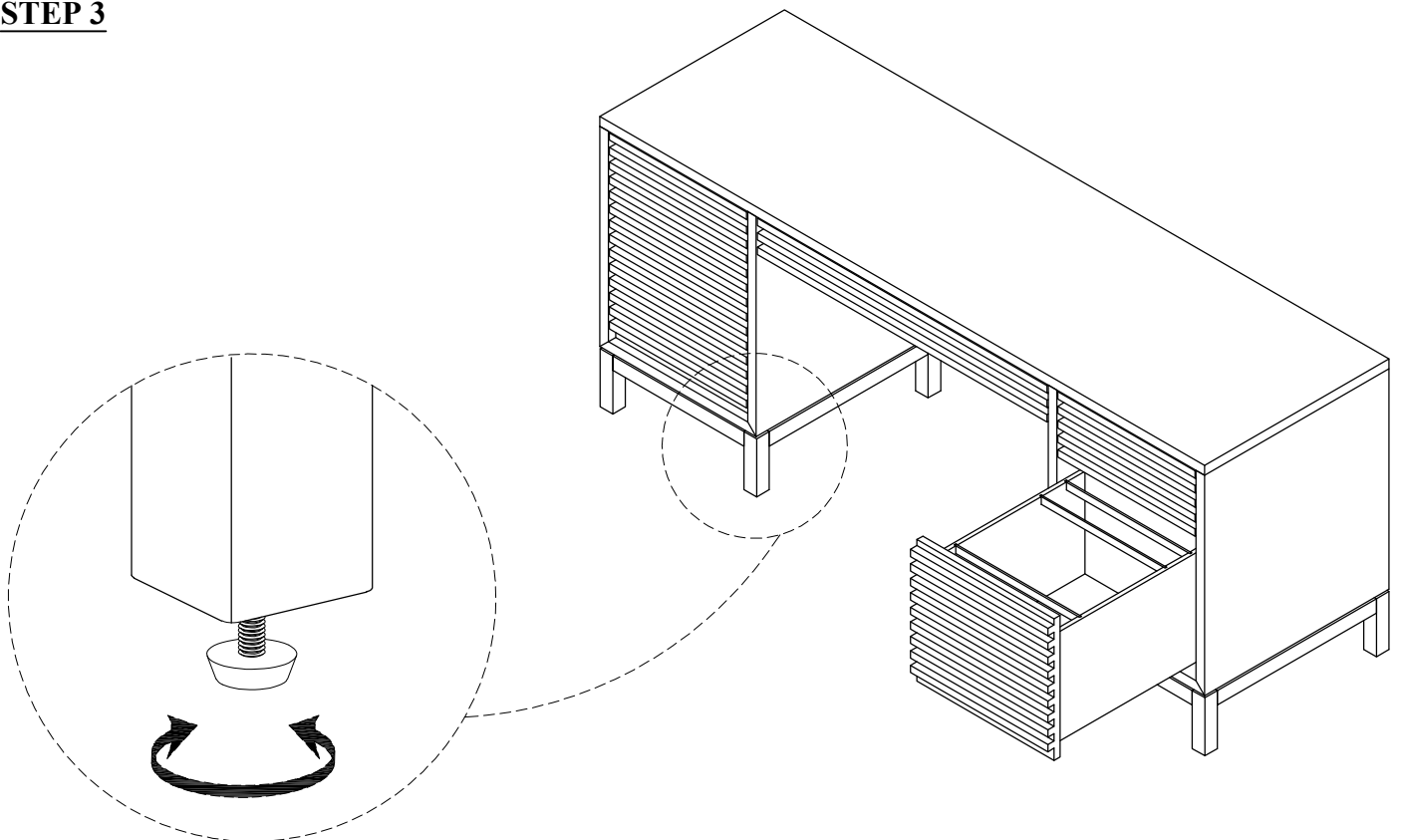
TANNER FILE DRAWER DESK ASSEMBLY INSTRUCTIONS



STEP 2



STEP 3



ASSEMBLY COMPLETE