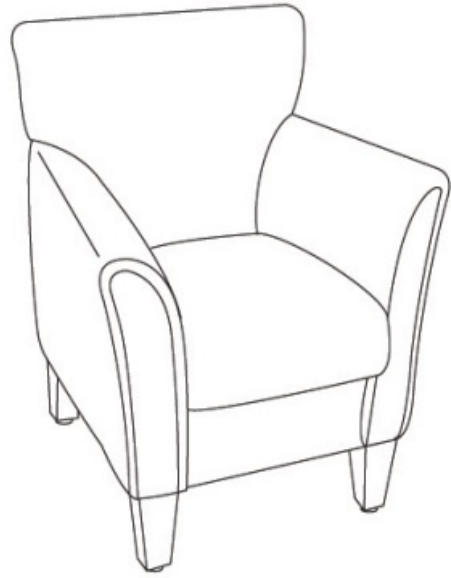


**NOTE:** Do not use power tools for assembly. Power tools increases the risk of over tightening which leads to splitting or cracking the wood

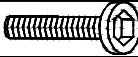


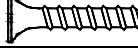

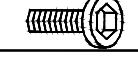
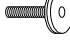


### Hardware & Parts Identification

For ease of identification please organize all hardware for each step of the assembly instruction

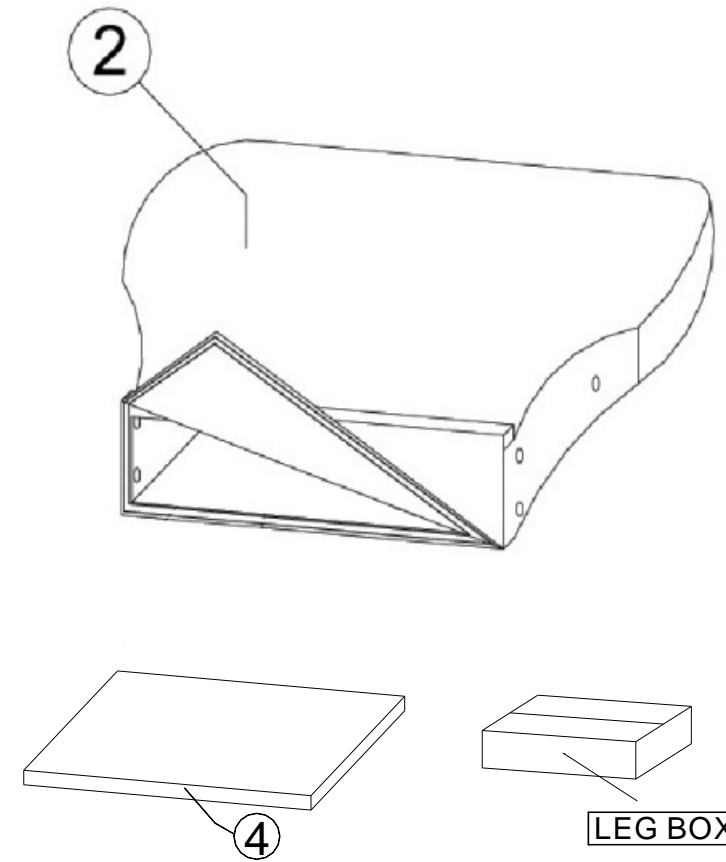
**NOTE:** Please verify all parts are complete before begin assembly

ITEM	PARTS LIST	QTY
①	ARM	2
②	BACK CUSHION	1
③	STRETCHER	1
④	SEAT PANEL	1
⑤	SEAT CUSHION	1
⑥	LEG	4

ITEM	HARDWARE LIST	QTY
A	5/16"x 2" 	6
B		10
C		10
D		8
E		1
F	5/16"x 1" 	4
G		4

### STEP 1:

Please place all parts on a clean cloth for assembly



### STEP 2:

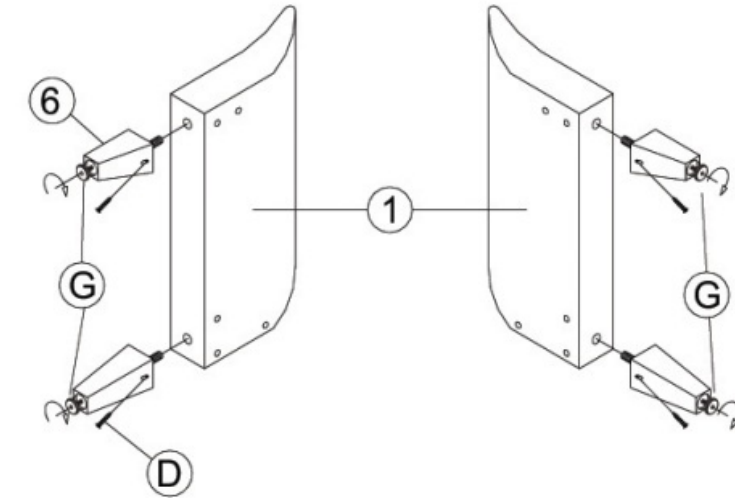
STEP 2A: Start assembly legs into left and right arm. Then install leg leveler into bottom of each leg.

STEP 2B: Turn legs clockwise until tight.

**NOTE: SCREWS HOLES IN LEGS MUST BE FACING TOWARD INSIDE OF CHAIR.**

STEP 2C: Insert wood screws into designated holes and turn clockwise with screw driver (NOT INCLUDED) until tight.

**NOTE: DO NOT OVER TIGHTEN THE SCREWS**

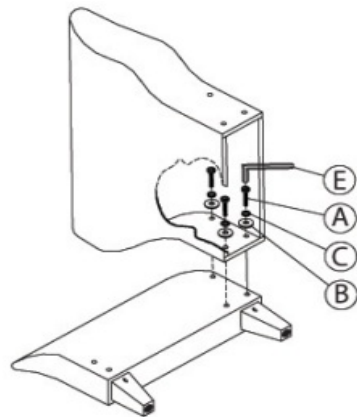


### STEP 3:

3A: Attach cushion back with left side facing arm with bolts (A) with spring washer (C) and washer (B).

3B: Then turn clockwise with allen wrench until 80% tight

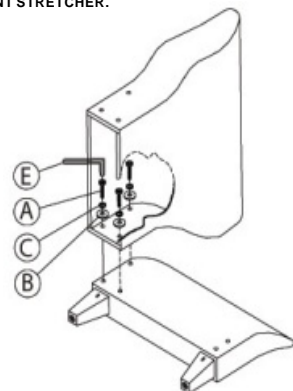
**NOTE: LEAVE BOLTS LOOSE FOR EASY ASSEMBLY WITH FRONT STRETCHER.**



### STEP 4:

Repeat above steps for right side facing arm assembly

**NOTE: DO NOT OVER TIGHTEN BOLTS FOR EASY ASSEMBLY WITH FRONT STRETCHER.**

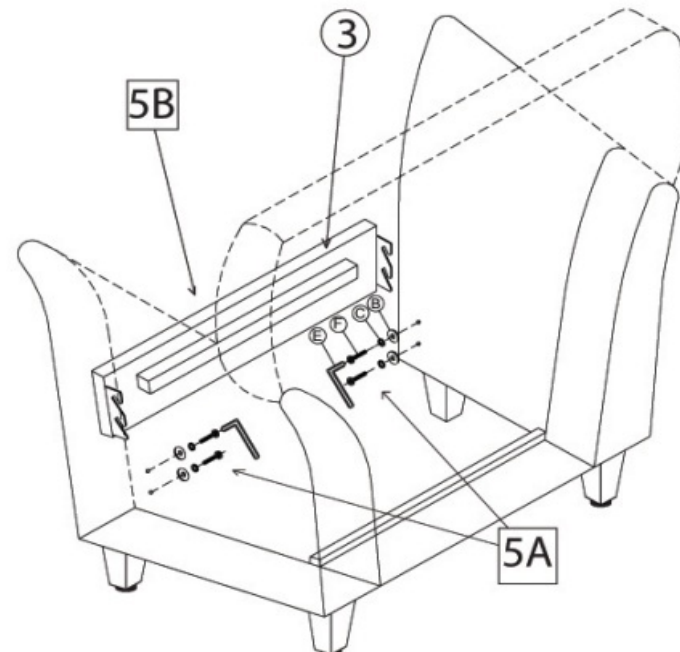


### STEP 5:

5A: Insert bolt (F) with spring washer (C) and washer (B) then turn clockwise with allen wrench until 80% tightened.

5B: Carefully position stretcher over bolts as shown.

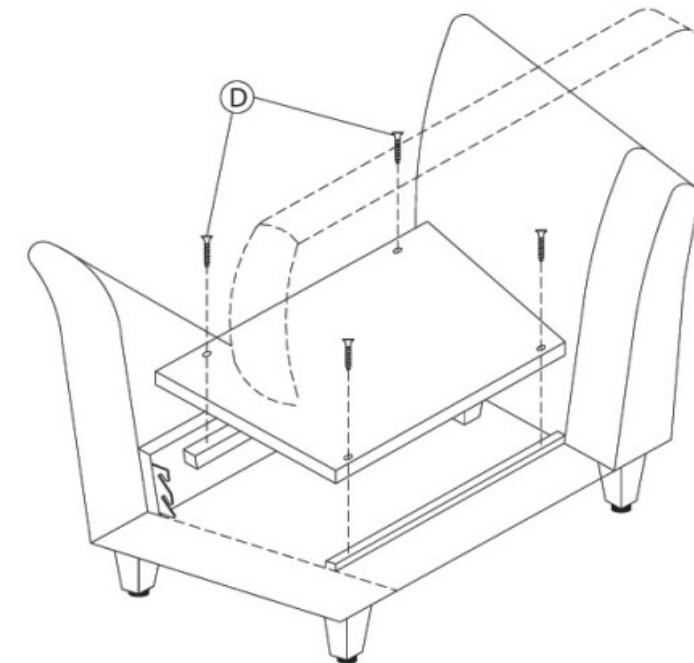
5C: Then tighten all stretcher and seat back bolts



### STEP 6:

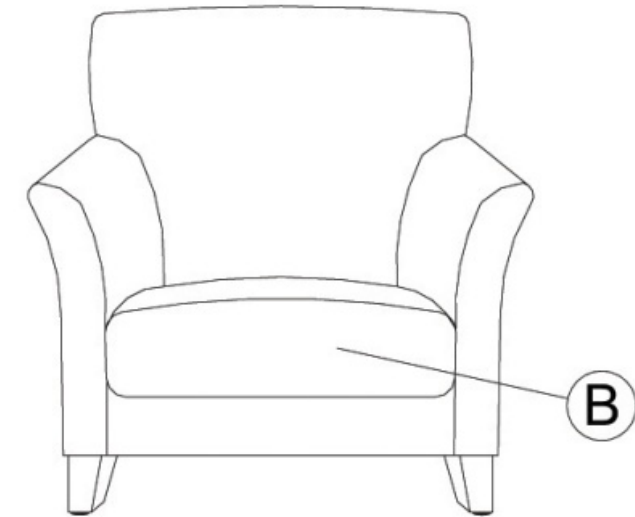
6A: Secure the Seat Panel to the chair frame using the screw "D" into pre-drilled holes

**NOTE: (6) PRE-DRILLED HOLES HAVE BEEN COVERED BY BLACK CLOTH FOR APPEARANCE PURPOSES. LOCATE THE HOLES INDENTATIONS AND INSERT THE (6) SCREWS.**



### STEP 7:

Place seat cushion and adjust leg leveler accordingly for balancing.



### CARE INSTRUCTION:

\*Remove stains using mild soap and lukewarm water. Rub gently in a circular motion with a sponge or soft brush.

Pat the area dry after cleaning.

\*When the microfiber is completely dry, brush it lightly in the direction of the nap.

\*Brushing is recommended on a regular basis.