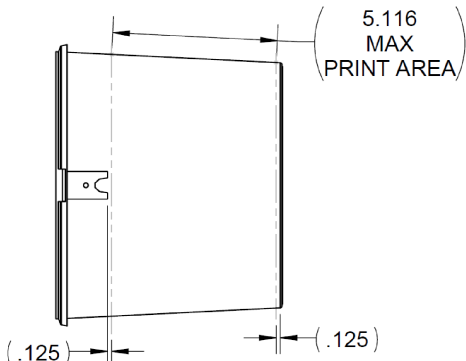
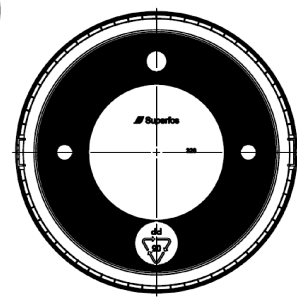


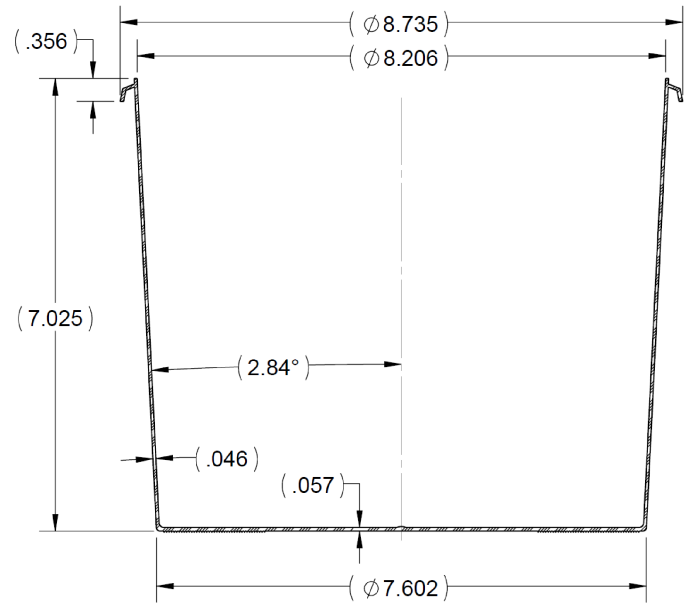
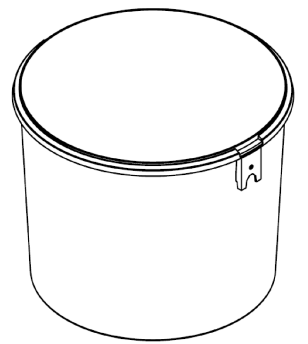
TOP VIEW



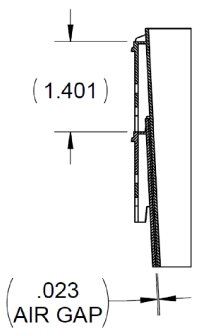
SIDE VIEW



BOTTOM VIEW



SECTION A-A



NESTING VIEW

PART DATA	
RESIN FAMILY	PP
RESIN DENSITY (GRAMS/CUBIC IN)	14.9
ESTIMATED WEIGHT (CAD MODEL GRAMS)	168.8
VOLUME (CUBIC IN)	338.352
OVERFLOW CAPACITY(OZ)	187.5
OVERFLOW CAPACITY(CC & ML)	5544.57
PROJECTED AREA (IN SQ.)	59.9

DISCLAIMER

THIS INFORMATION IS PROVIDED AS A GENERAL GUIDE, INCLUDING DIMENSIONS. IT IS THE CUSTOMER'S RESPONSIBILITIES TO SELECT THE PROPER CONTAINER FOR PRODUCT AND APPLICATION COMPATIBILITY.

DISTRIBUTED BY:



REF NO.:

DWG10036

DESCRIPTION:

1 gallon HDPE Open Head Pail