

Recirculation Pump

REPLACEMENT INSTRUCTIONS

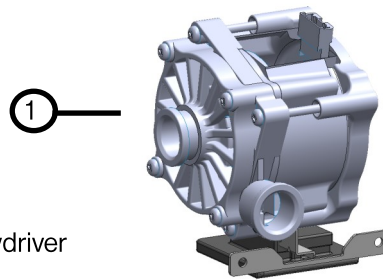
For Use With Rinnai Tankless Water Heater Models: REP160i, REP160e, REP199i, REP199e

⚠ WARNING Failure to correctly assemble the components according to these instructions may result in electric shock, injury, or death.

Items Inside Product Box

Before installation, please make all parts are located inside the product box.

Item #	Item	Qty
1	Recirculation Pump	1

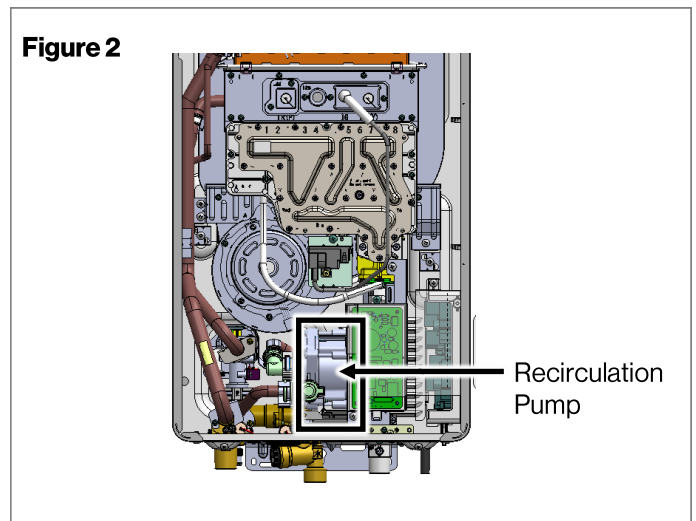
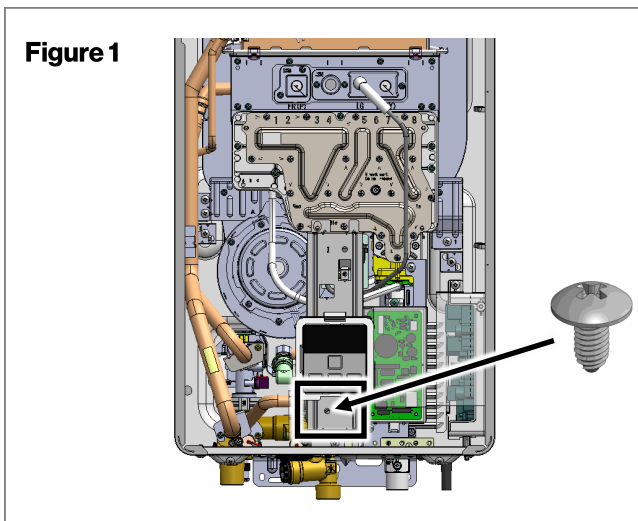


TOOLS/MATERIALS REQUIRED Phillips head screwdriver

Instructions

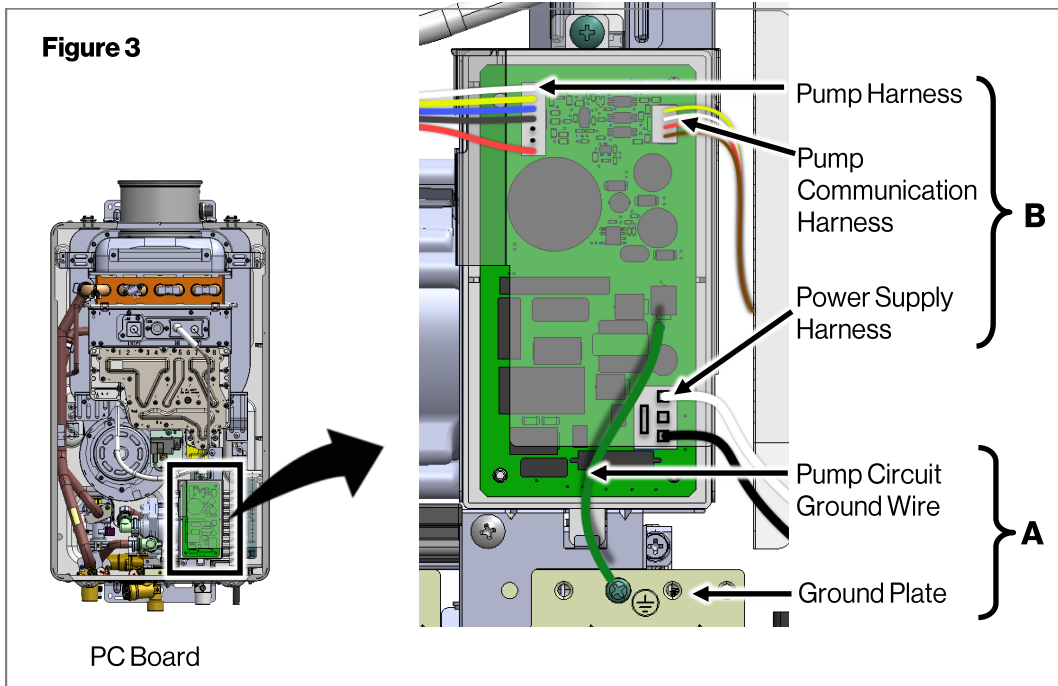
IMPORTANT: When following the instructions below, inspect any existing O-rings carefully, taking care not to scratch, damage, or misplace the O-rings.

1. Turn off and disconnect 120 V power supply.
2. Turn off water supply.
3. Turn off gas supply.
4. Release pressure and drain water from water heater.
5. Remove the front panel.
6. Remove the one screw securing the controller assembly to the water heater (Figure 1).
7. Position the controller to gain access to the recirculation pump (Figure 2).



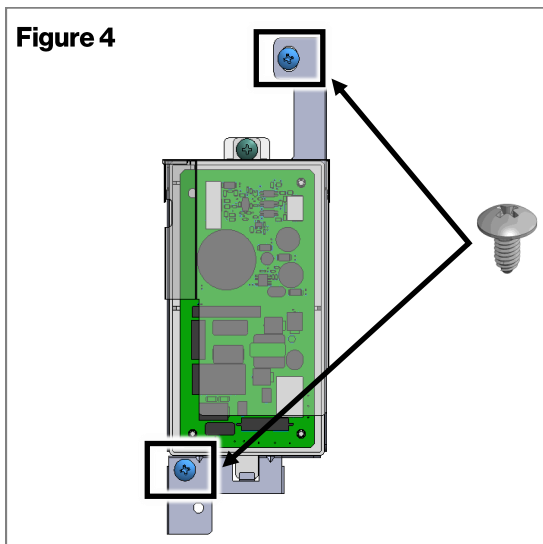
8. Locate the PC Board (Figure 3).

- Remove the ground screw securing the pump circuit ground wire to the water heater ground plate ("A" in Figure 3).
- Disconnect the power supply harness, pump harness, and pump communication harness from the pump circuit ("B" in Figure 3).

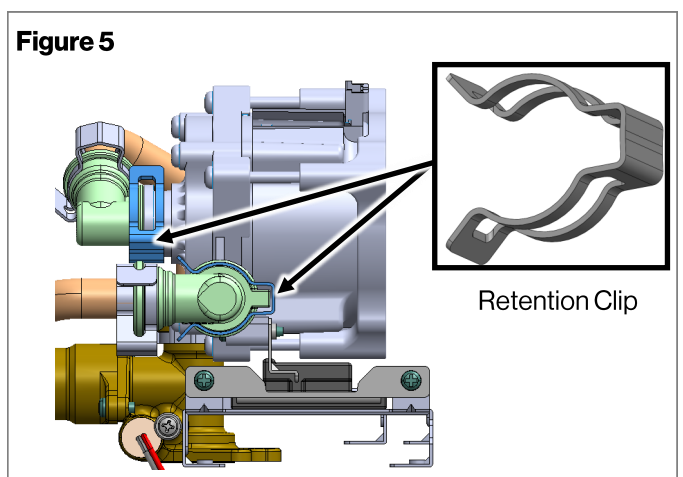


9. Remove the two screws securing the pump circuit to the water heater assembly (Figure 4).

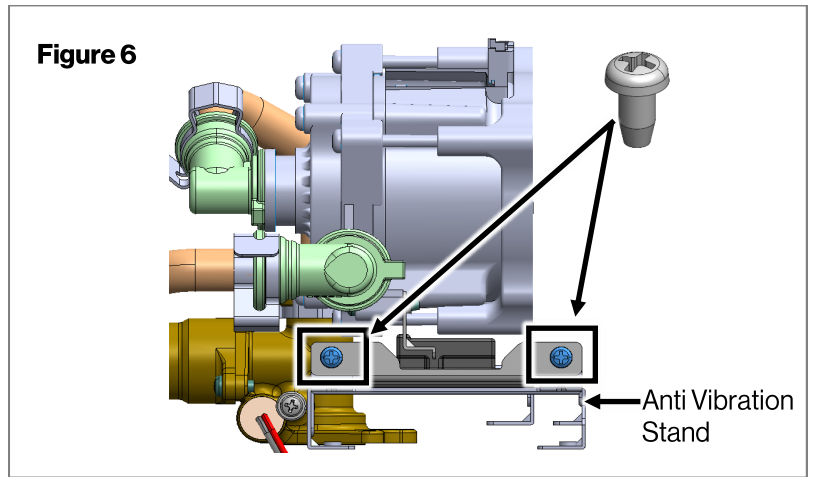
Position the pump circuit to gain access to the recirculation pump.



10. Remove the two retention clips securing suction and discharge fittings to the pump (Figure 5).

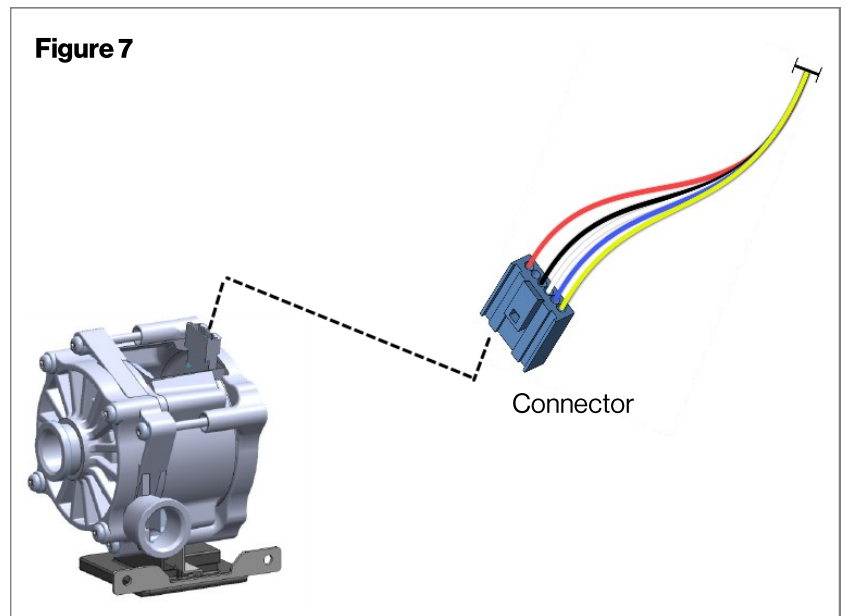


11. Remove the two screws securing the anti vibration stand to the pump fixing stand (Figure 6).



12. Disconnect the connector from the old pump and insert into the new pump (Figure 7).

Ensure the connector inserted securely to prevent the risk of electrical arc or short.



13. Remove the old pump from the water heater assembly and position the new pump aligning the screw holes of the anti vibration stand to the pump holes of the pump fixing stand.
14. Install the two screws securing the anti vibration stand to the pump fixing stand (Figure 6).
15. Install the two retention clips securing suction and discharge fittings to the pump (Figure 5).

NOTE: Confirm retention clip connection is fully engaged.

16. Position the pump circuit to the water heater assembly. Install the two screws securing the pump circuit to the water heater assembly (Figure 4).
17. Connect the ground screw securing the pump circuit ground wire to the water heater ground plate ("A" in Figure 3).
18. Check the ground connection to prevent the risk of electrical shock.
19. Reconnect the power supply harness, pump harness, and pump communication harness to the pump circuit ("B" in Figure 3).
20. Assemble the controller assembly and secure assembly to the water heater (Figure 1).
21. Reconnect and turn on 120 V power supply, water supply and gas supply.
22. Check the pump is working correctly.
23. Perform leak detection test for water.
24. After all checks have been successfully completed, reinstall the front cover.

This Page Intentionally Left Blank