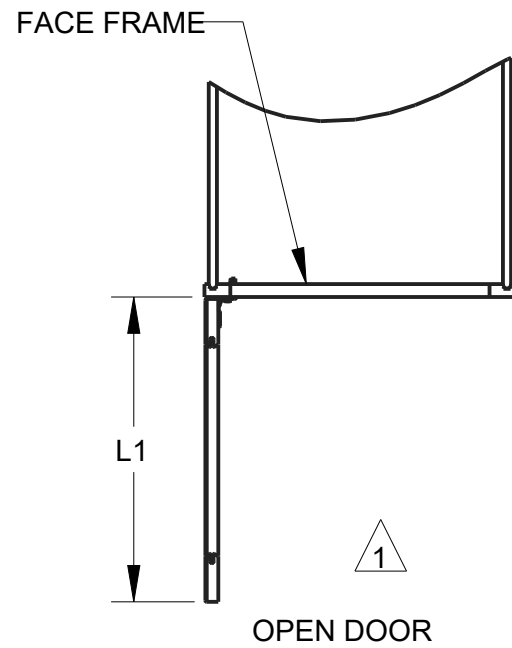
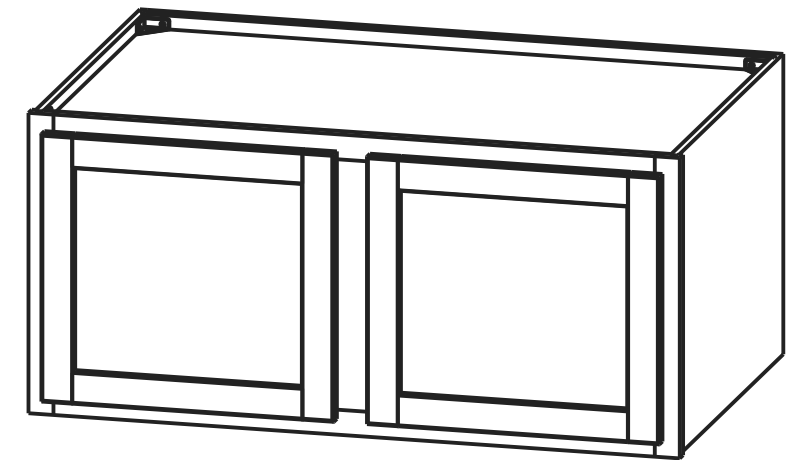
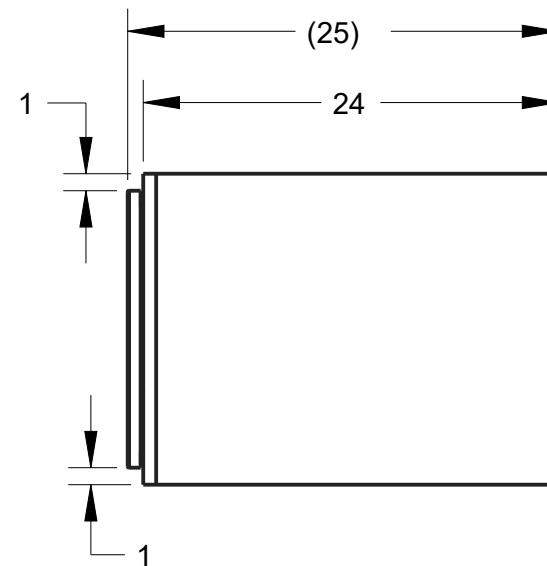
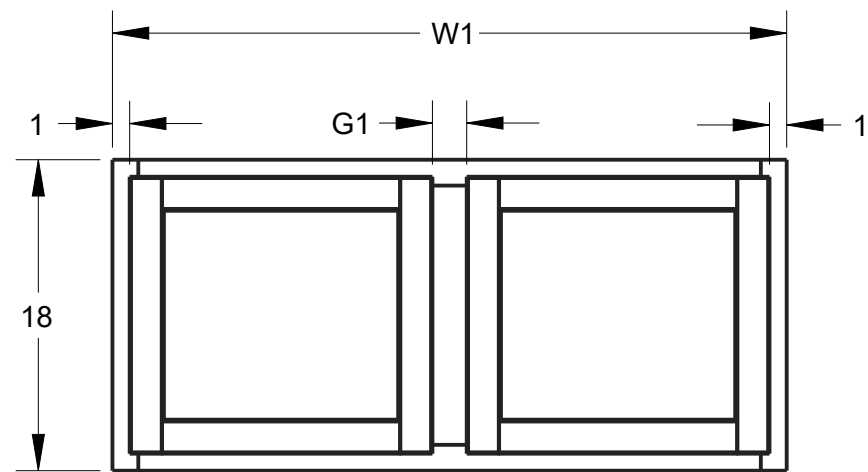


NOTES:

1 OPEN DOOR VIEW INCLUDES HINGE SPACE OFFSET.

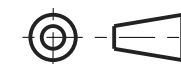
| PRODUCT | W1  | L1        | G1                          | DOOR SIZE            |
|---------|-----|-----------|-----------------------------|----------------------|
|         |     |           | ROUNDED TO THE NEAREST 1/32 |                      |
| W361824 | 36" | 17 1/16"  | (3/16")                     | 16 29/32" X 16 1/32" |
| W391824 | 39" | 17 11/16" | (2")                        | 17 17/32" X 16 1/32" |



PRODUCT SHOWN W391824

DOCUMENT STATUS Released

THIRD ANGLE PROJECTION



MATERIAL

FINISH

N/A

N/A



DESCRIPTION

W361824, W391824 HALF OVERLAY

DRAWN BY  
EDVIN GOLESTANYAN

DATE  
03MAR2021

DESIGNED BY  
NORTHPOINT

DATE

APPROVED BY  
ANDY BROWN

DATE  
08MAR2021

DRAWING NUMBER  
W361824-W391824\_HALF\_OVERLAY

REV  
**B**

SIZE  
A3

SCALE  
0.100

SHEET  
1 / 1

HARDWARE RESOURCES RESERVES THE RIGHT TO CHANGE SPECIFICATIONS WITHOUT NOTICE.  
IN CASE OF A DISCREPANCY, ACTUAL PART GEOMETRY SUPERSEDES THIS DOCUMENT.

THE INFORMATION CONTAINED WITHIN THIS DRAWING IS THE SOLE PROPERTY OF HARDWARE RESOURCES INC. ANY REPRODUCTION IN PART OR WHOLE WITHOUT WRITTEN PERMISSION OF HARDWARE RESOURCES INC. IS PROHIBITED.