



# Mayfield™

25" top-mount single-bowl kitchen sink  
**K-5964-3**

## Features

- 27" (686 mm) minimum base cabinet width
- Single bowl
- 7-3/4" (197 mm) depth
- Three faucet holes

## Material

- KOHLER® enameled cast iron

## Installation

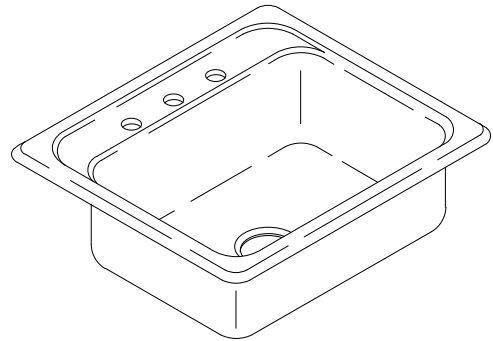
- Top-mount

## Recommended Products/Accessories

- K-6003 Sink Rack
- K-8801 Sink drain and strainer with tailpiece
- K-8799 Sink drain and strainer basket
- K-23726 Drain treatment
- K-23725 Cast iron cleaner

## Optional Products/Accessories

- K-11352 Disposal Flange with Stopper
- K-9000 P-Trap



## Codes/Standards

ASME A112.19.1/CSA B45.2

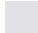
## KOHLER® Enameled Cast Iron Kitchen and Bathroom Sink Lifetime Limited Warranty

See website for detailed warranty information.

## Available Colors/Finishes

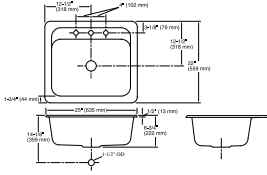
*Color tiles intended for reference only.*

| Color | Code | Description |
|-------|------|-------------|
|-------|------|-------------|

|   |   |       |
|---|---|-------|
|  | 0 | White |
|---|---|-------|



**Mayfield™**  
 25" top-mount single-bowl kitchen sink  
**K-5964-3**



**Technical Information**

All product dimensions are nominal.

- Basin configuration: Single Bowl
- Cutout: Top-mount, 23-3/4" x 20-3/4" (603 mm x 527 mm) with 1" (25 mm) radius corners
- Min. base cabinet width: 27" (686 mm)
- Bowl area: Length: 22" (559 mm)  
 Width: 15" (381 mm)  
 Bowl depth: 7-3/4" (197 mm)  
 Water depth: 7-3/4" (197 mm)
- Number of deck holes: 3
- Faucet hole(s): 1-3/8" (35 mm)
- Drain hole: 3-5/8" (92 mm)

**Notes**

Install this product according to the installation instructions.