



Assembly & Installation Instructions

CAUTION: Read instructions carefully and turn electricity off at main circuit breaker panel before beginning installation.

P2781-XX30K9, P2782-XX30K9

WARNING - If any Special Control Devices are used with this Fixture, Follow the Instructions Carefully to assure full compliance with N.E.C. requirements. If there are any questions, contact a Qualified Electrical Contractor.

WARNING - This product contains chemicals known to the State of California to cause cancer, birth defects and /or other reproductive harm. Thoroughly wash hands after installing, handling, cleaning, or otherwise touching this product.

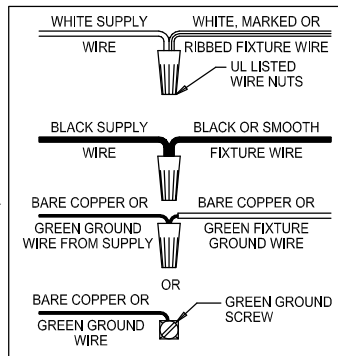
CAUTION - All glass is fragile, use care when handling Glass component(s) and or Lamp(s).

ASSEMBLY STEPS:

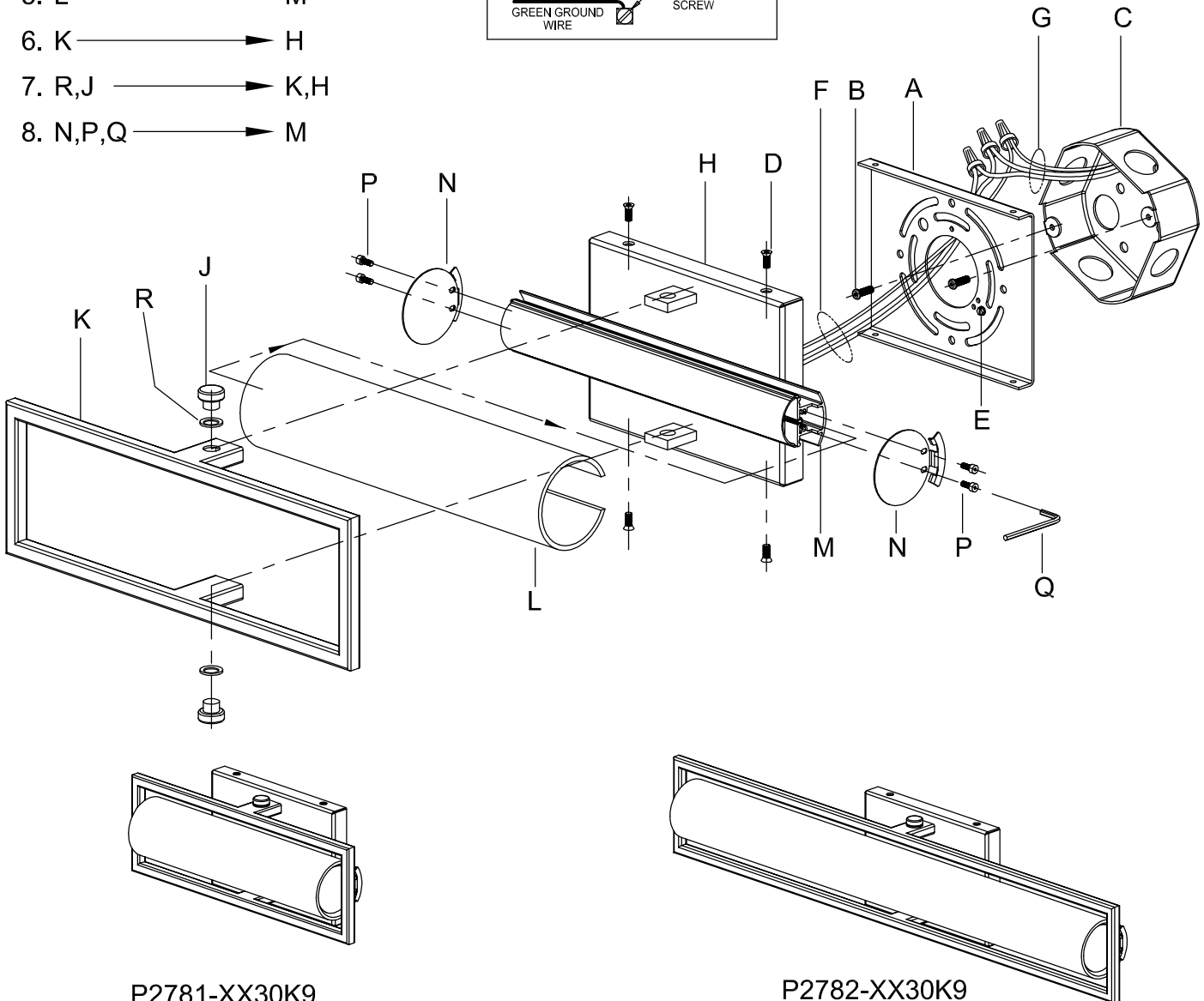
PASOS PARA ENSAMBLAR:

MODE D'ASSEMBLAGE:

1. E → A
2. B,A → C
3. F → G
4. D,H → A
5. L → M
6. K → H
7. R,J → K,H
8. N,P,Q → M



**B, C & G
(NOT FURNISHED)
(NO INCLUIDA)
(NON FOURNIE)**



P2781-XX30K9

P2782-XX30K9