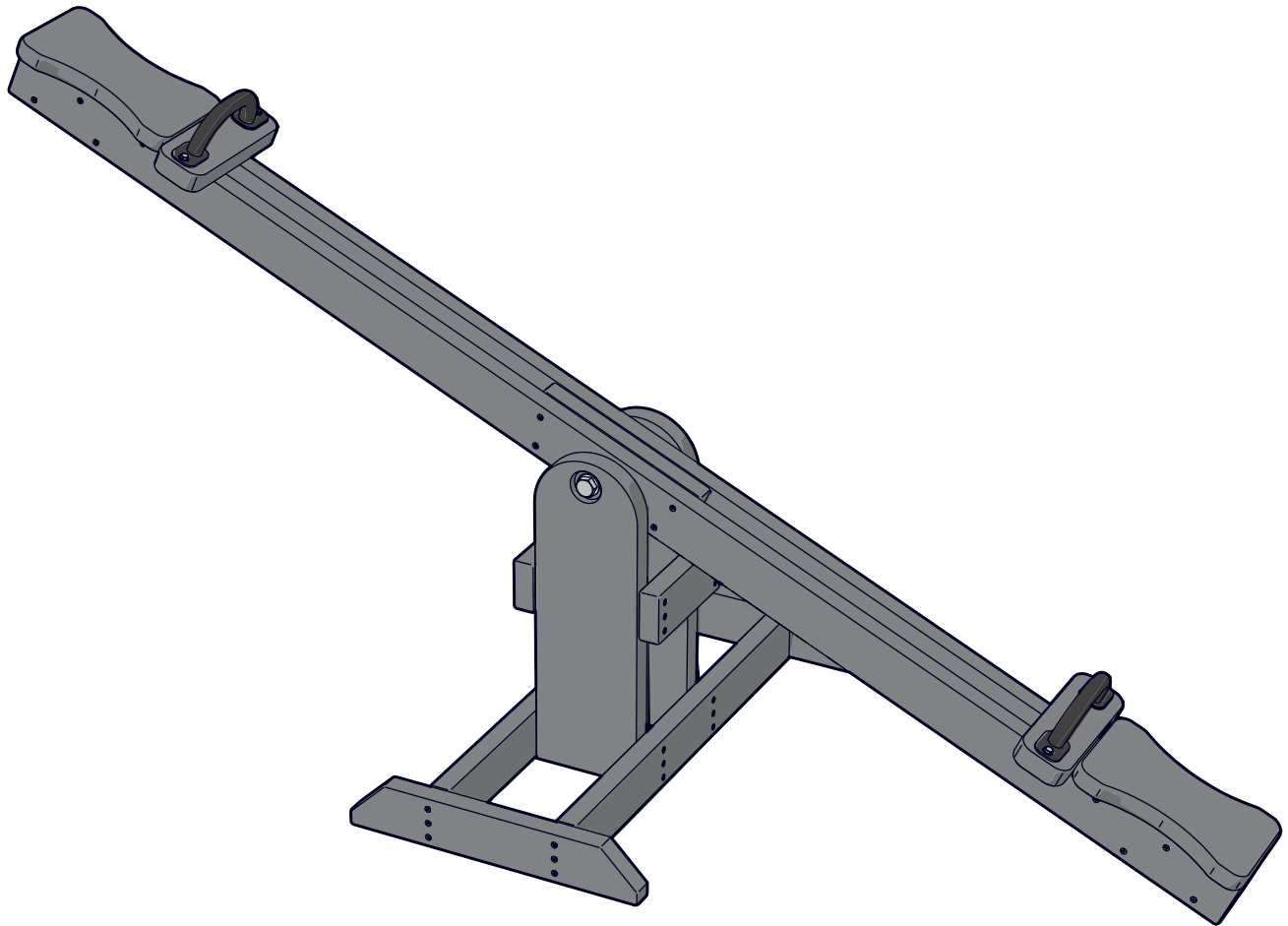


JACK & JUNE

SEESAW
JJ-SEESAW-CD



2L-8035-00

I N T R O D U C T I O N

Welcome to our family of ready-to-build backyard play equipment. Jack & June playsets are designed with ease of assembly in mind and we provide these step-by-step installation instructions.

After reading the information below, locate your structure site and carefully unpack parts. As you unpack your playset, keep the parts identification sheet handy and become familiar with each part before beginning assembly. **Remember that a little extra time spent familiarizing yourself with the parts and instructions before you begin will help you avoid mistakes and save you time later.**

Choosing A Location For Your Playset

When selecting your structure site, always keep the child's safety in mind. Here are some recommendations to help you create a safe play area.

A. The playset should be located on level ground. The components are **REQUIRED** to be a minimum of six feet from any structure or obstruction such as a fence, garage, house, tree or overhanging branches, electrical wires or clotheslines. We also recommend that you do not install your playset near a lake, river, swimming pool or other water hazard.

B. The U.S. Consumer Product Safety Commission (CPSC) recommends that you install and maintain a resilient surface under your play equipment. The CPSC's Consumer Information Sheet for Playground Surfacing Materials on [page 3](#) of this manual. A resilient surface, should be installed after the equipment has been completely assembled according to these instructions. The equipment must rest on solid ground. Please note that this product has a maximum fall height of 4'.

Do not install home playground equipment indoors, or over concrete, asphalt, packed earth, grass, carpet or any other hard surface. A fall onto a hard surface can result in serious or fatal injury.

Responsible on-site adult supervision is one of the most important contributions to children's safety that you can make. Jack & June strongly recommends on-site adult supervision of children of all ages. Safe swinging and climbing skills need to be taught to children, just like any other physical activity.

The weight limit for any single user on Jack & June play equipment is 120 pounds. Limit the number of users to one on each seat.

When the time comes to disassemble and dispose of the play equipment, do so in such a way that no hazards will exist at the time the equipment is discarded.

Maintaining Your Playset

Here are some maintenance tips required to insure safe enjoyment of your equipment for years to come.

A. At the beginning of each usage season and every two weeks during, check: nuts and bolts and tighten as needed, also check seats and wood components for signs of deterioration and replace if necessary.

B. On a yearly basis, we recommend that you coat your playset with a sealant or preservative. You may also want to spot sand any areas prior to sealing. Be sure that the sealant you select is non-toxic and child safe.

C. Do not use line trimmers or "weed eaters" around your play equipment. The line will remove both stain and wood from uprights and base pieces. Any damage resulting from this type of abuse is not covered under our limited warranty.

If you have any questions about your playset, or are in need of replacement parts, call 1-800-GO-SWING.
Please keep these instructions for future reference.

Consumer Information Sheet for Playground Surfacing Materials¹

The U.S. Consumer Product Safety Commission (CPSC) estimates that about 100,000 playground equipment-related injuries resulting from falls to the ground surface are treated annually in the U.S. hospital emergency rooms. Injuries involving this hazard pattern tend to be among the most serious of all playground injuries, and have the potential to be fatal, particularly when the injury is to the head.

The surface under and around playground equipment can be a major factor in determining the injury-causing potential of a fall. It is self evident that a fall onto a shock absorbing surface is less likely to cause a serious injury than a fall onto a hard surface. Playground equipment should never be placed on hard surfaces such as concrete or asphalt and while grass may appear to be acceptable it may quickly turn to hard packed earth in areas of high traffic. Shredded bark mulch, wood chips, fine sand or fine gravel are considered to be acceptable shock absorbing surfaces when installed and maintained at a sufficient depth under and around playground equipment.

The following table lists the maximum height from which a child would not be expected to sustain a life-threatening head injury in a fall onto four different loose-fill surfacing materials if they are installed and

maintained at depths of 6", 9", and 12". However, it should be recognized that all injuries due to falls cannot be prevented no matter what surfacing material is used.

It is recommended that a shock absorbing material should extend a minimum of 6' in all directions from the perimeter of stationary equipment such as climbers and slides. However, because children may deliberately jump from a moving swing, the shock absorbing material should extend in the front and rear of a swing a minimum distance of 2 times the height of the pivot point measured from a point directly beneath the pivot point supporting structure.

This information is intended to assist in comparing the relative shock-absorbing properties of various materials. No particular material is recommended over another. However, each material is only effective when properly maintained. Materials should be checked periodically and replenished to maintain correct depth as determined necessary for your equipment. The choice of a material depends on the type and height of the playground equipment, the availability of the material in your area, and its cost.

FALL HEIGHT IN FEET FROM WHICH A LIFE THREATENING HEAD INJURY WOULD NOT BE EXPECTED

TYPE OF MATERIAL	6" DEPTH	9" DEPTH	12" DEPTH
Double Shredded Bark Mulch	6'	10'	11'
Wood Chips	6'	7'	12'
Fine Sand	5'	5'	9'
Fine Gravel	6'	7'	10'

¹This information has been extracted from the CPSC publications "Playground Surfacing—Technical Information Guide" and "Handbook for Public Playground Safety." Copies of these reports can be obtained by sending a postcard to the Office of Public Affairs, U.S. Consumer Product Safety Commission, Washington, D.C. 20207. Or call the toll-free hotline: 1-800-638-2772.

S A F E T Y I N S T R U C T I O N S

Teach Children:

- Not to walk close to, in front of, behind, or between moving items.
- Not to swing empty swing seats.
- Not to use the equipment in a manner other than that for which it is intended.
- Not to get off the equipment while it is in motion.
- Not to jump off the equipment.
- Not to climb or swing when they are wet or when the equipment is wet.
- To sit in the center of the seats with their full weight on the seats.
- Not to stand on the seats.
- Not to jump on the seats.
- Not to climb on top of the Beam support.
- Not to ride or leave bicycles or other toys in the area.
- Not to use hammers, saws, nails, or wrenches on the equipment.
- Not to attach to the playground equipment any item that is not specifically designed for use with the equipment, such as (but not limited to) jump ropes, clotheslines, pet leashes, cables, and chains. These may become strangulation hazards.
- To watch for other children while playing near the equipment.

In Addition, Adults Must:

- Limit climbing and swinging heights to each child's ability.
- Dress children appropriately for play. Use well-fitting shoes that do not have slippery soles.
- Do not allow children to play wearing helmets.
- Remember that children are inventive. When they develop games that are unsafe, be alert and change the rules.

Avoid ponchos, scarves, hoods, loose-fitting clothing, neckties, and any clothing with a drawstring. Serious injury could result should any part of the children's clothing become entangled in the equipment.

PRE - ASSEMBLY TIPS

1. **Read this manual carefully before starting assembly.** Read each step completely before beginning each step.
2. **Some smaller parts may be shipped inside larger parts. Check inside all parts and cartons before assembling or ordering parts.**
3. **To make assembly easier, use the Parts List and Hardware Identifier on pages 6, & 7 to identify and sort all components. Check all cartons for kits. All hardware may not be located in one kit.**
4. **Do not tighten until instructed to do so. If parts are tightened too soon, parts may not easily fit together. Leave nuts slightly loose until you are instructed to tighten them.**
6. **Save these instructions and your proof of purchase (receipt) in the event that the manufacturer has to be contacted for replacement parts.**

Required Tools:

- 2 -15/16" Wrench or Adjustable Wrench
- 1 -7/16" Socket & Ratchet Wrench
- Phillips Screwdriver or Electric Screwdriver

NOTE:

An electric screwdriver is helpful in assembly. However, please set at low torque and use extreme caution with an electric screwdriver because you could over-tighten the hardware & strip out the screws.



Please Do Not Return This Product To The Store!

Contact Escalade® Sports customer service department at:

Phone: 1-800-GO-SWING Toll - Free !

Escalade Sports

Physical Location:

817 Maxwell Ave.
Evansville, IN 47711

Mailing Address: (Correspondence Only)

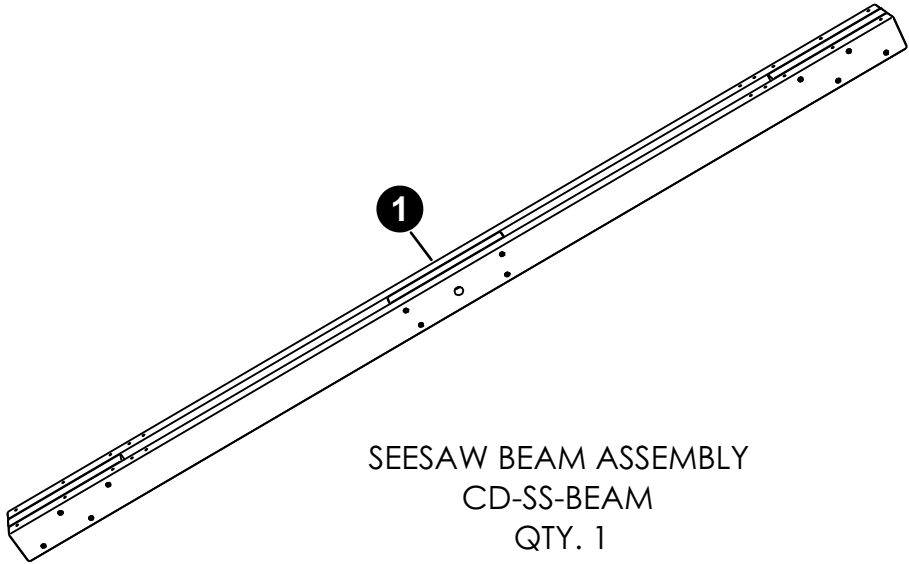
PO Box 889
Evansville, IN 47706

Please visit our Website at:
www.escaladesports.com

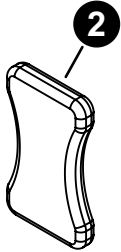
ON-LINE TROUBLE SHOOTING TECHNICAL ASSISTANCE
ON-LINE PARTS REQUESTS FREQUENTLY ASKED QUESTIONS
ADDITIONAL ESCALADE®SPORTS PRODUCT INFORMATION



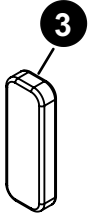
PARTS LIST (NOT ACTUAL SIZE)



SEESAW BEAM ASSEMBLY
CD-SS-BEAM
QTY. 1



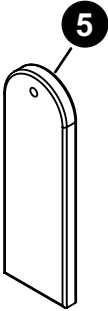
2X8 SEAT
PG-28-0009
QTY. 2



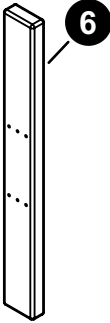
2X4 HANDLE SUPPORT
PG-24-0114
QTY. 2



6" SAFETY HANDLE
ST-HANDLE-006-B
QTY. 2



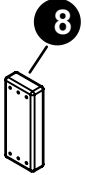
2x8 CENTER SUPPORT
PG-28-0010
QTY. 2



2X4 BASE SUPPORT
PG-24-0016
QTY. 2

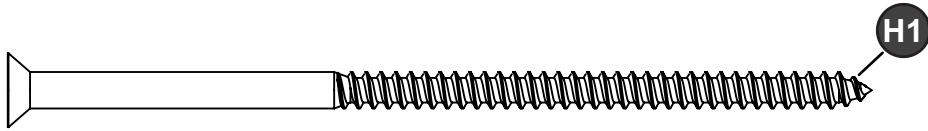


2X4 BASE ENDS
PG-24-0017
QTY. 2

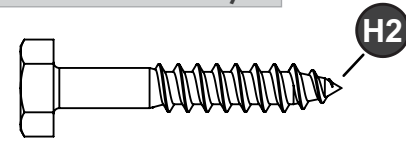


2X4 UPPER SUPPORT
PG-24-0015
QTY. 2

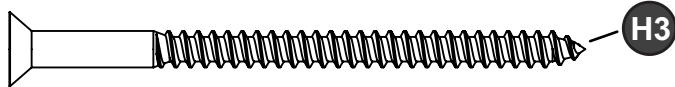
HARDWARE IDENTIFIER (ACTUAL SIZE)



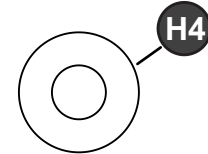
#10 X 4.5" Phillips Flat Head Screw
PG-HW-S030
QTY. 20



1/4" X 1-1/2" Hex Head Lag Screw
PG-HW-L001
QTY. 4



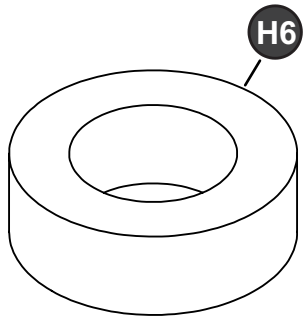
#10 X 3" Phillips Flat Head Screw
PG-HW-S029
QTY. 36



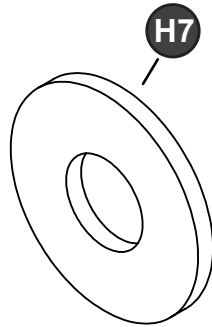
1/4" Flat Washer
PG-HW-W002
QTY. 4



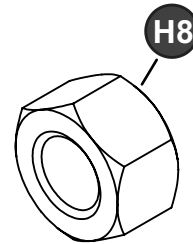
1/2" x 8" Machine Bolt
PG-HW-B033
QTY. 1



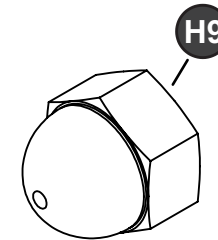
Black Nylon Spacer
3M-9482-00
QTY. 2



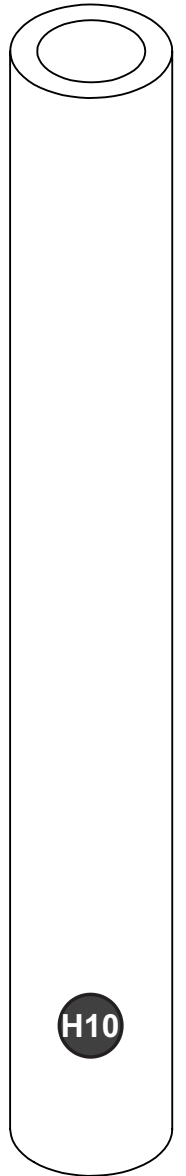
1/2" Flat Washer
PG-HW-W005
QTY. 2



1/2" Lock Nut
PG-HW-N004
QTY. 1



1/2" Acorn Nut
PG-HW-N005
QTY. 1

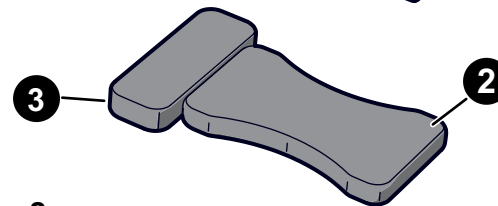
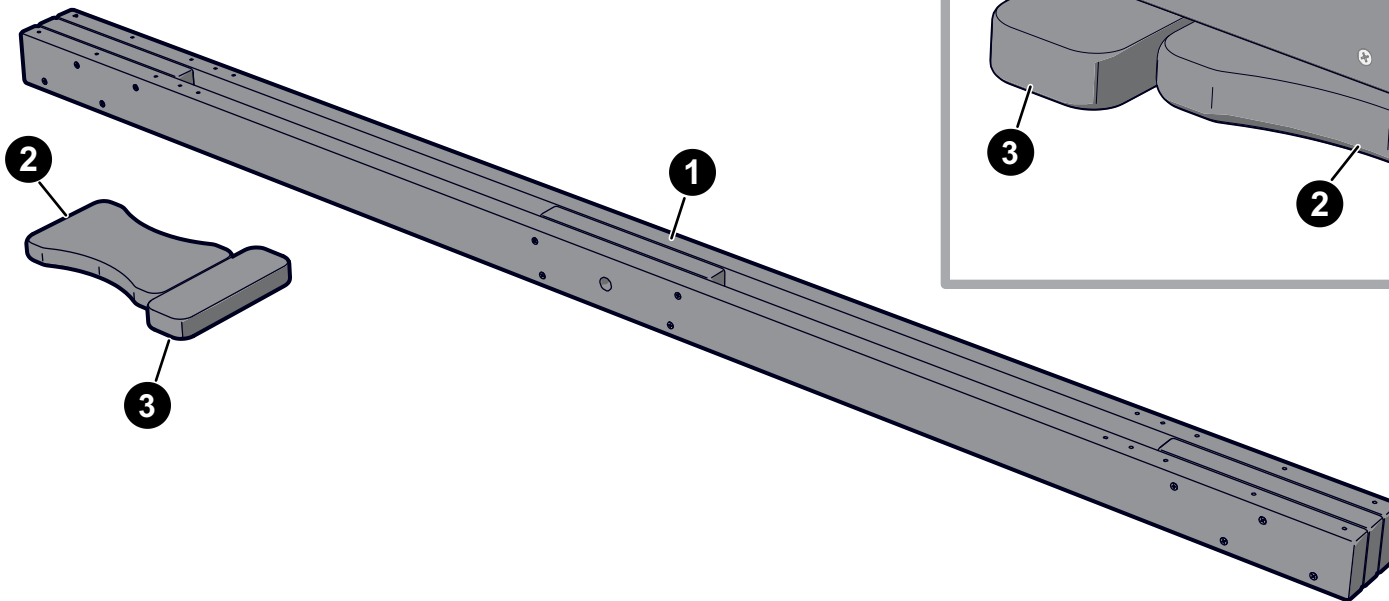
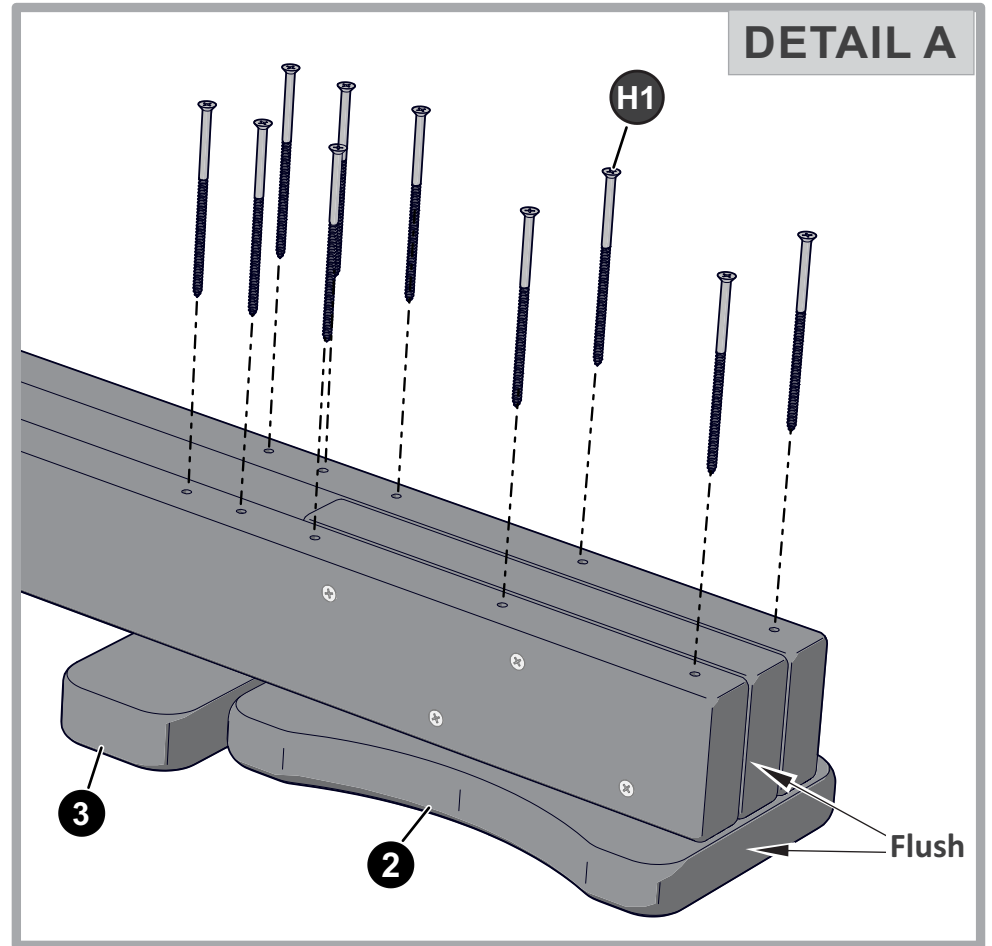


Nylon Tube
3M-9483-00
QTY. 1

STEP 1

On a clean flat surface lay Seats (#2) and Handle Supports (#3) on the ground as shown. Then center the Seesaw Beam Assembly on top. Attach with (H1) Screws as shown in **Detail A**.

NOTE: Before securing with H1 screws make sure the seat is centered and is flush with the end of the seesaw beam.



STEP 2

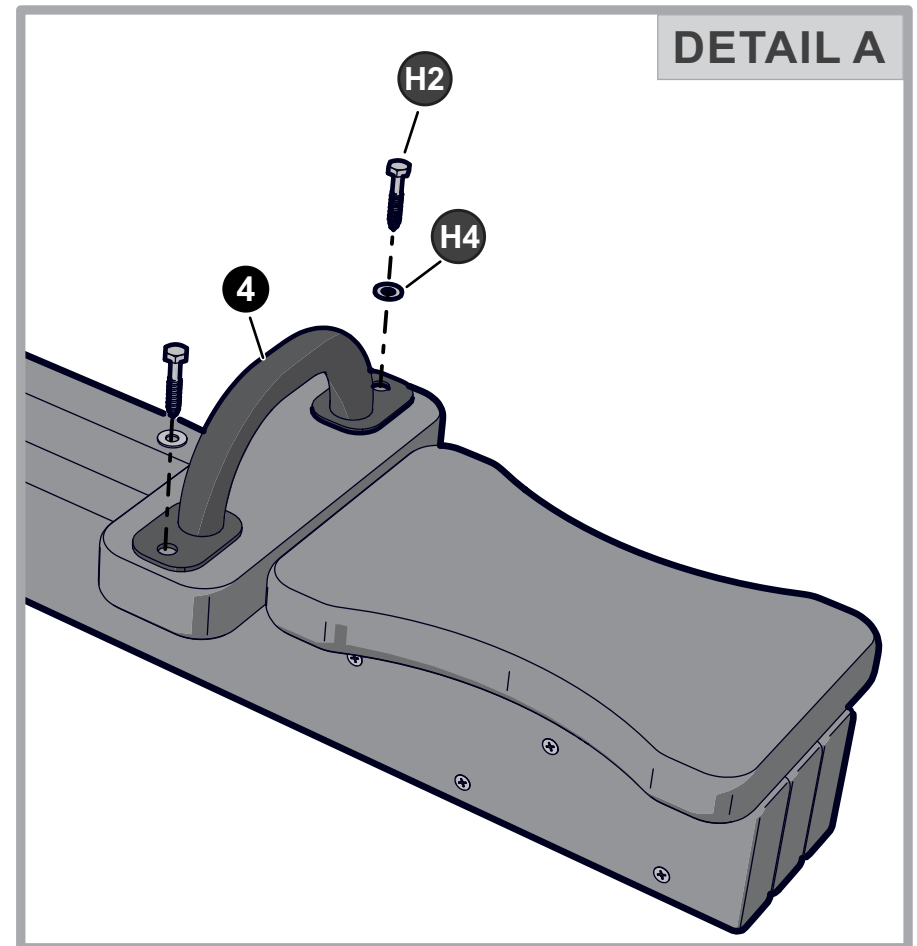
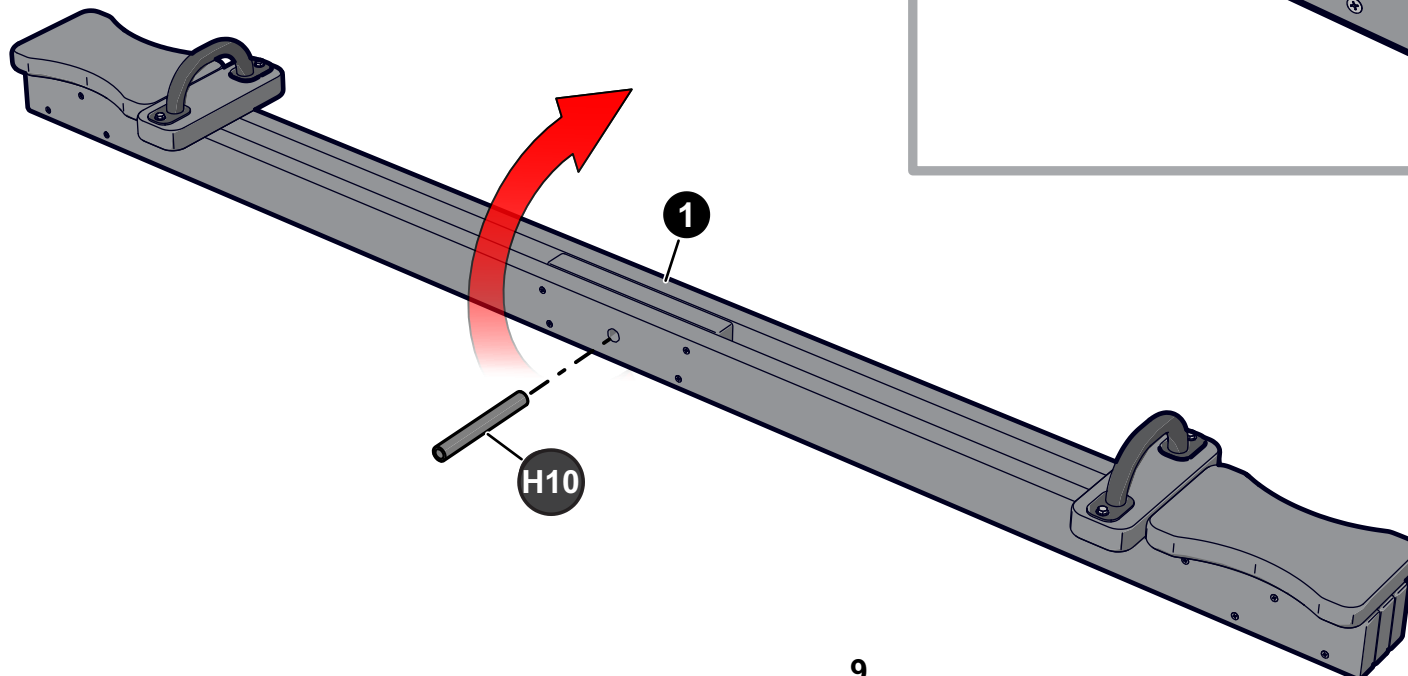
Flip **Step 1** assembly over and attach Handles with **(H2)** Lag Screws & **(H4)** Washers. See **Detail A**.

NOTE: Center Handles on the Handle support before securing with Lag Bolts.

STEP 3

Insert Nylon Tube **(H10)** into the middle hole in the Seesaw Beam Assembly **(#1)**.

NOTE: Center Nylon Tube in the Seesaw Beam Assembly so that equal parts stick out on each side.

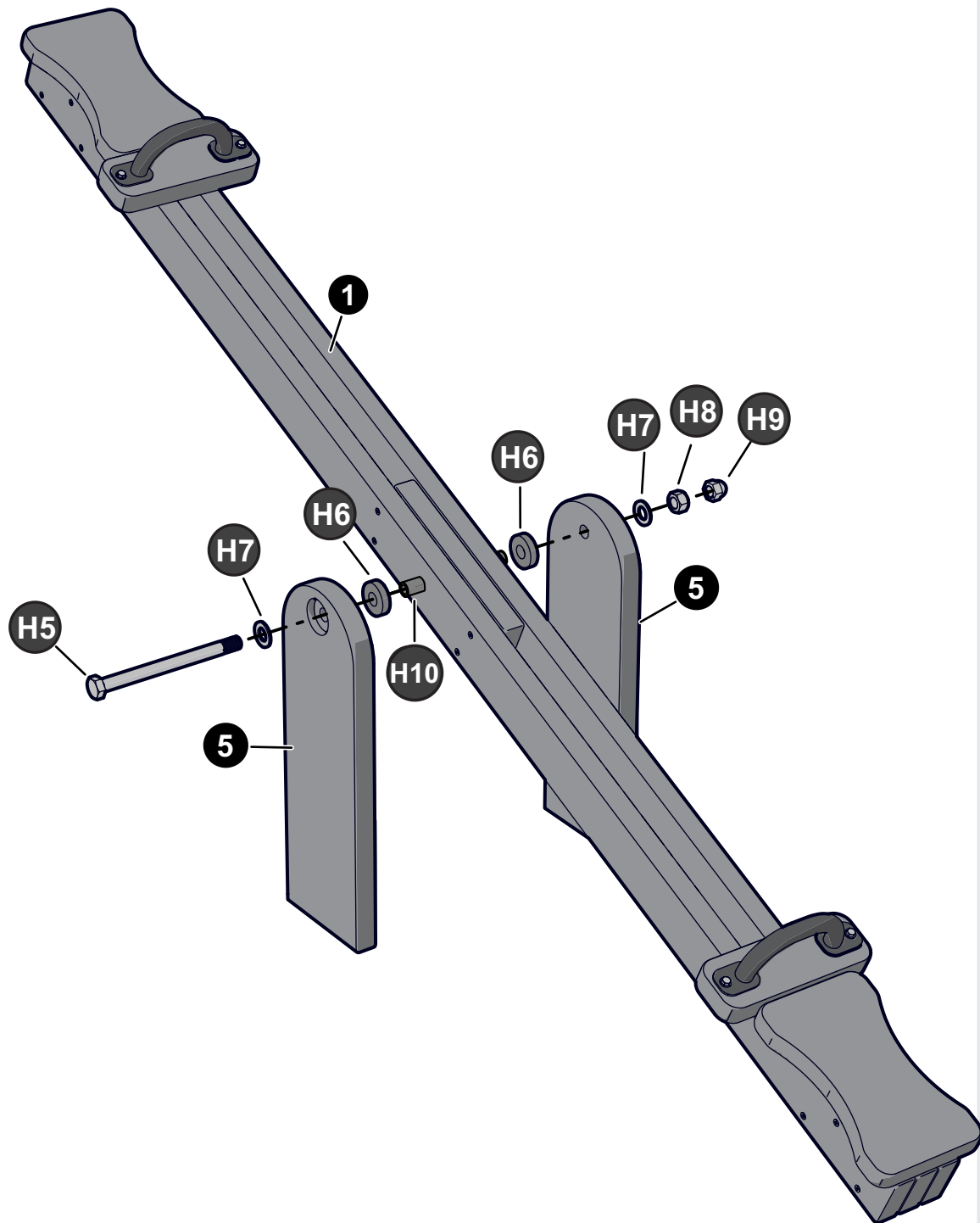


STEP 4

NOTE: The following step will require at least two adults.

Have a helper lift one end of the Seesaw Beam Assembly while the other end rests on the ground. Then, attach **(#5)** 2x8 Center Supports to the Seesaw Beam Assembly with hardware as shown.

NOTE: Make sure to add the **(H6)** Spacers in between **(#5)** Center Supports and **(#1)** Seesaw Beam Assembly.



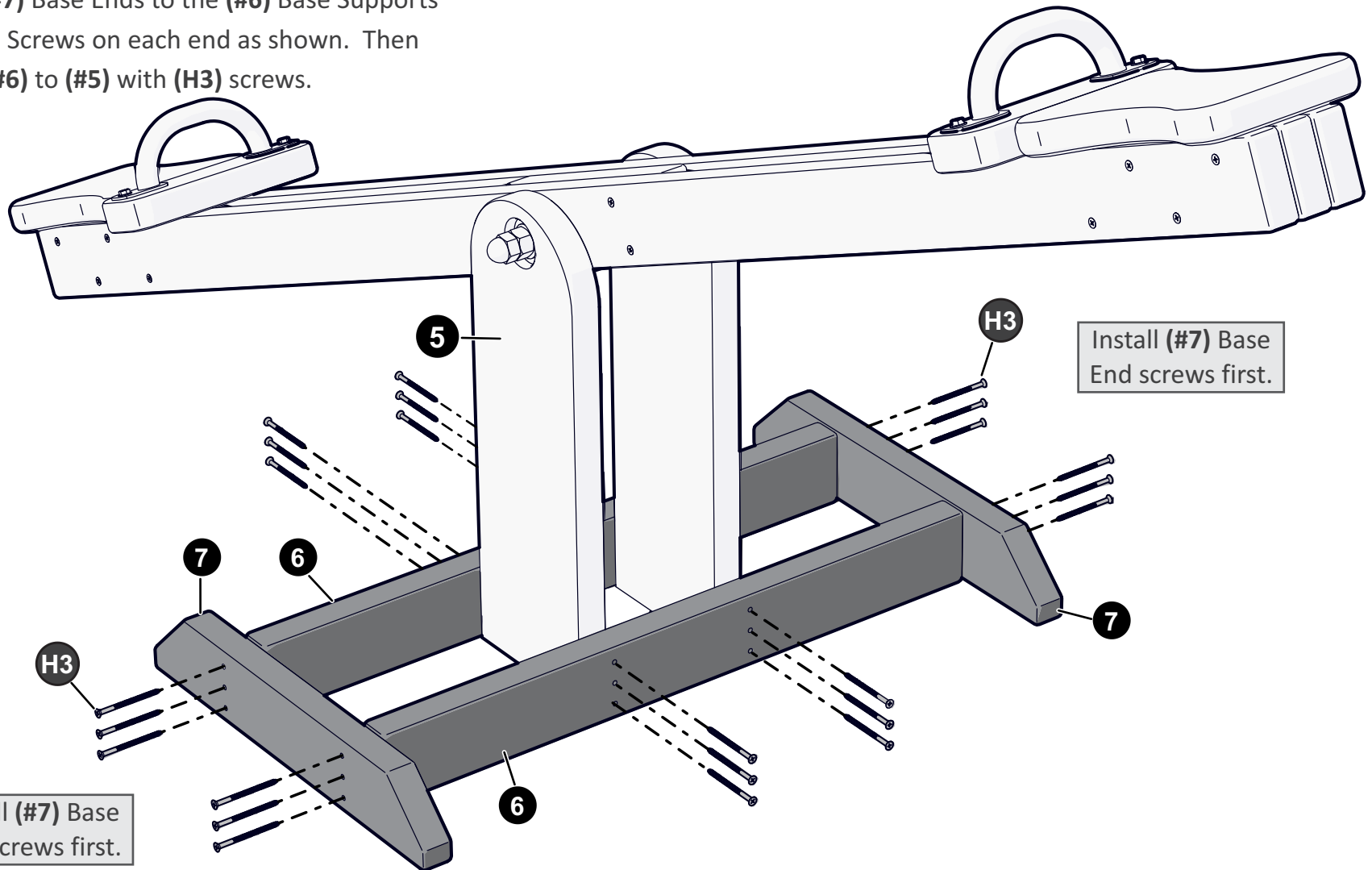
STEP 5

Arrange **(#6)** Base Supports and **(#7)** Base Ends around the **(#5)** Center Supports as shown.

STEP 6

Have a helper hold the Seesaw assembly while you attach the **(#7)** Base Ends to the **(#6)** Base Supports with six **(H3)** Screws on each end as shown. Then secure the **(#6)** to **(#5)** with **(H3)** screws.

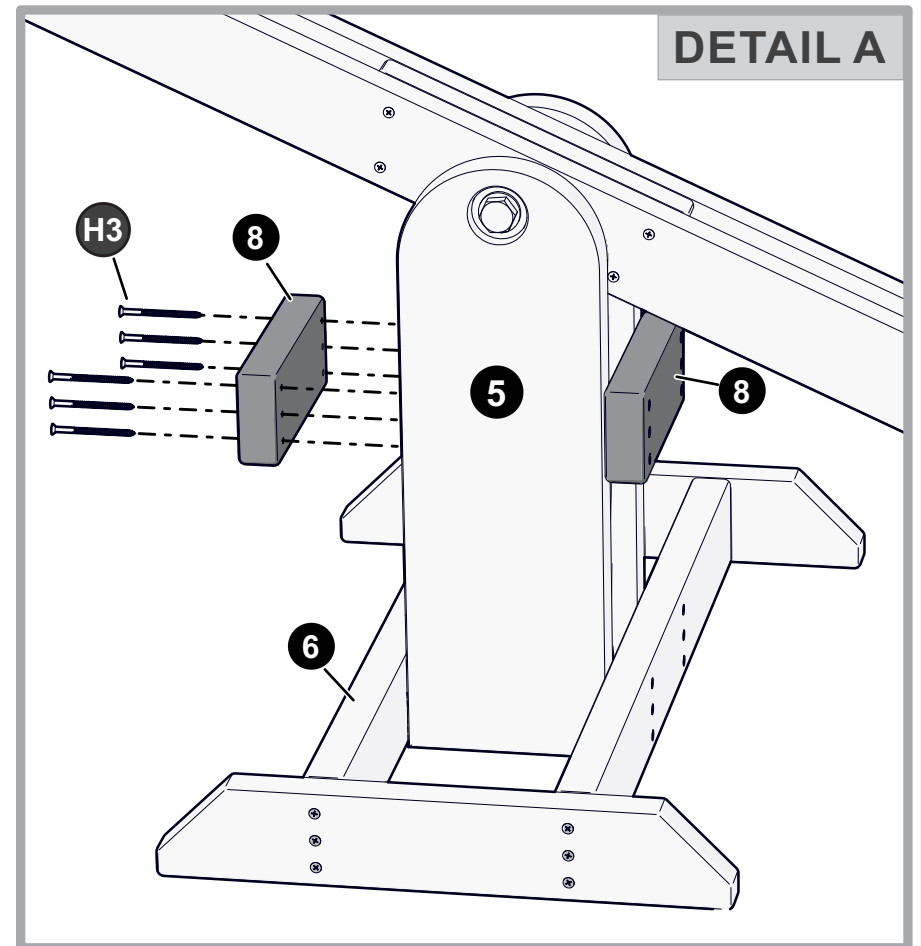
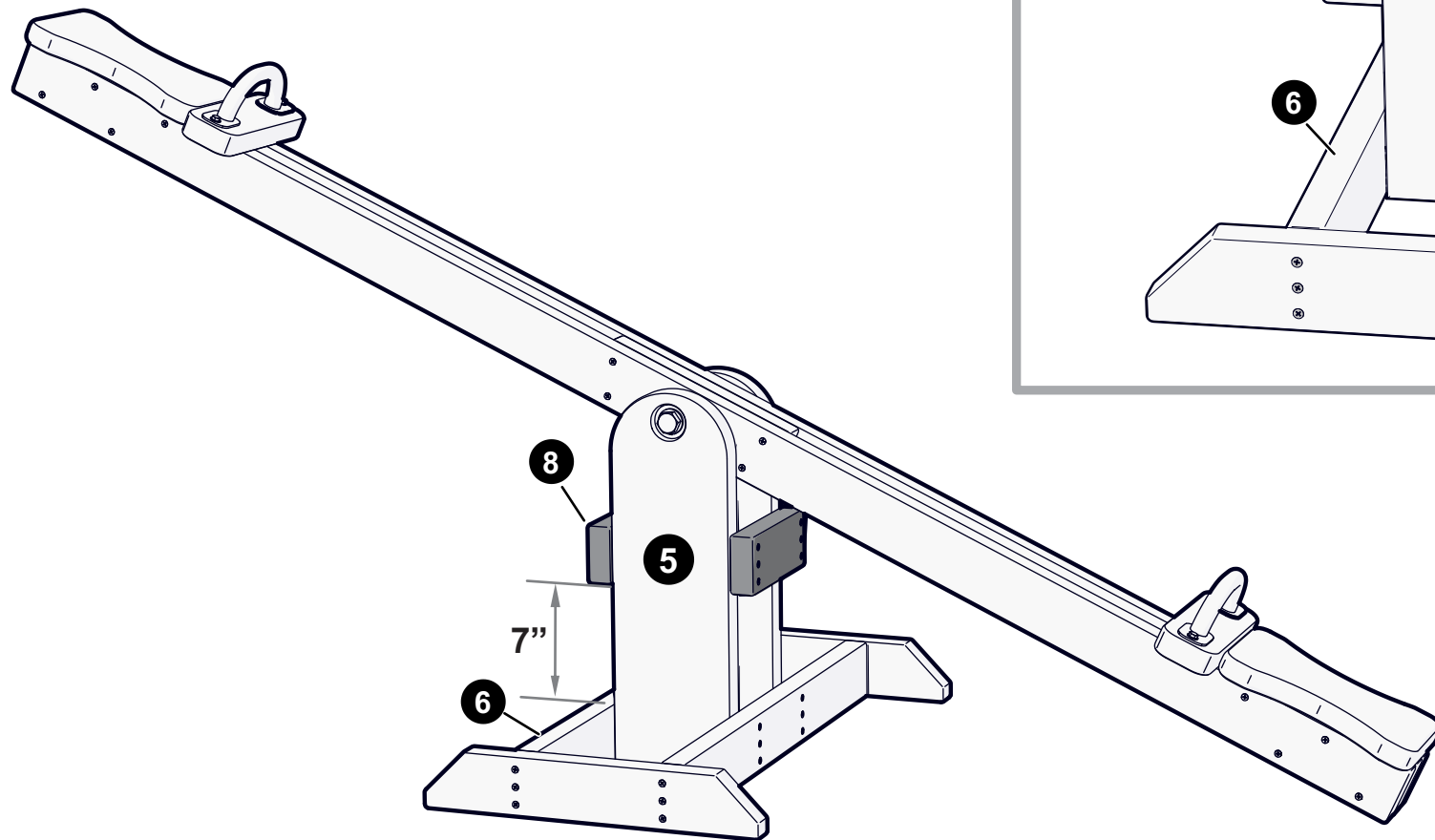
NOTE: Make sure to install the **(#7)** Base End screws first as shown in illustration.



STEP 7

Attach (#8) Upper Supports to (#5) Center Supports with (#H3) Screws as shown in Detail A.

NOTE: Bottom of (#8) Upper Supports should be about 7" from the top of (#6) Base Supports as shown in illustration.



JACK & JUNE WARRANTY

1 Year Warranty

Subject to proper installation and normal residential use, Jack & June warrants, subject to the limitations stated below, to the original retail purchaser, parts to be free from defects in material and workmanship for a period of **one year** from date of purchase. Merchandise covered under this limited **one-year** warranty will, at our option, be repaired or replaced, excluding any freight or labor fees.

For **one Year** after the original purchase date of our **products**, Jack & June warrants, to the original retail purchaser, all wooden components against structural failure due to corrosion, wood rot, or insect infestation. Seasonal checks, surface cracks, knotholes and knots, not resulting in structural failure, are natural characteristics of all wooden play equipment, are not covered under this warranty and will not affect the integrity of your playset.

Jack & June warrants to the original retail customer that we will replace any hardware that fail due to rust or breakage (excludes surface rust).

Timber is a natural material which can absorb and release moisture. Although this product is designed to minimize this effect, in certain circumstances some movement or distortion is unavoidable. During dry hot weather timber may shrink and check - this is a normal process of weathering. After the first year of service it is advisable to clean and apply a non-toxic stain or sealant to the wood, safe for children's use.

Components covered under this **1 year** warranty will be replaced free of charge excluding freight and labor fees.

Non-residential use of the playset is prohibited and voids the warranty as the playsets are designed for residential use only.

Escalade Sports reserves the right to examine photographs and/or physical evidence of merchandise claimed to be defective, and to recover said merchandise, prior to disposition of warranty claims. Merchandise returned to our factory for examination or recovery must be shipped freight prepaid, unless a Return Authorization Number is issued.

This warranty program does not cover normal wear and tear, color fading, or damages resulting from misuse, abuse, vandalism, alteration, acts of God, or assembly and maintenance contrary to our instructions. Escalade Sports assumes no responsibility for incidental or consequential damages which may arise from the purchase or use of our equipment. Please supervise your children's play activity and maintain your play equipment periodically.

This warranty is expressly in lieu of all other warranties, expressed or implied, including warranties of merchantability or fitness for use. Jack & June does not assume or authorize any person to assume for us, any other liability in connection with the sale of our products.

Special Note: Jack & June reserves the right to make changes in materials, design, and pricing without notice. See your instruction manual for maintenance requirements. Your child's safety is your responsibility; therefore, you should inspect this equipment regularly for wear and safety.

For warranty service, contact:

Escalade Sports

P.O. Box 889

Evansville, IN 47706

1-800-GO-SWING

Or E-Mail us at: playgroundcs@escaladesports.com