

GU-10

**WARNING!**



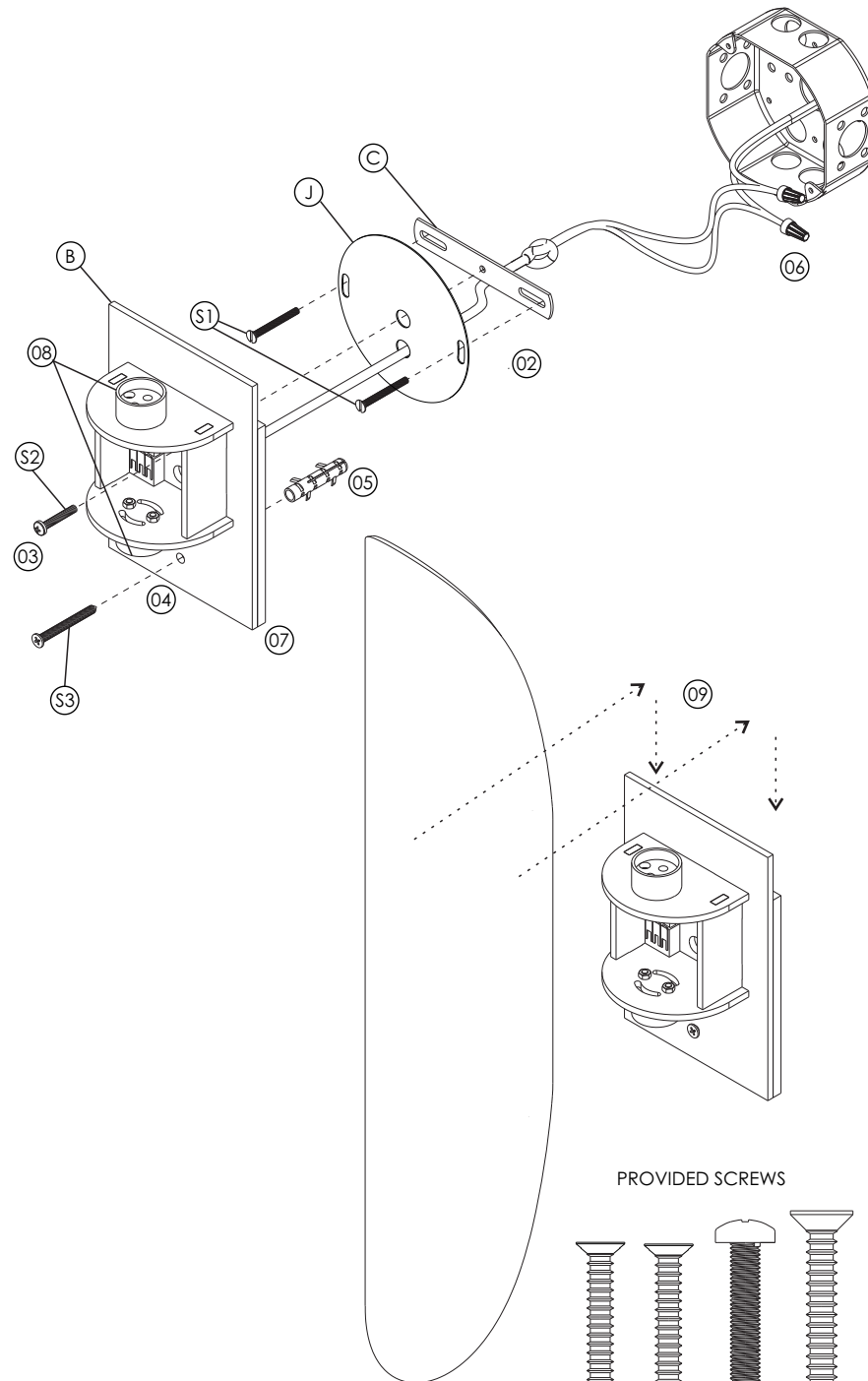
Be sure electrical power is OFF before and during installation or maintenance. The luminaire must be installed by a qualified electrician, in accordance with all applicable local codes.

Ensure that the rated luminaire voltage requirements are compatible with the available mains supply in which it will be installed. All LEDs are included in your lamp. Never touch the LED surface with your bare hands as this may reduce the life of your LED. Do not alter, relocate or remove any electrical component.

Line: Clean  
Family: Wall Lamp  
Description: Clean Accord Wall Lamp 4194/4195/4196

Material: Natural Wood Veneer, MDF.

Read carefully all the assembling instructions below and turn OFF energy power before starting the installation.



01 Remove the protecting package from the pieces taking care to not harm any parts with cutting surfaces or objects. Lay the parts of the fixture on some horizontal surface in order to connect them, if needed use the protecting package to soften the surface and protect the parts from getting scratched or harmed.

02 Once the protecting packages are removed, fix the metallic crossbar (C) on the junction box, using the provided screws (S1).

03 Next, screw the structural base (B) in the crossbar (C) using the provided screw (S2).

04 Align the structural base (B) using a level, make sure that the base is oriented correctly, next, make the marks of the hole to be done in the wall, using the structural base as template.

05 With the marking done, remove the screws from the structural base (B) and crossbar (C) moving it away from the wall, then drill the hole using a 8mm drill and insert the plastic bushing.

**MAKING ELECTRICAL CONNECTIONS**

06 Pass the energy cable through the junction box cover (J) and make the electrical connections according to all applicable local codes. Insert the excess energy cable inside the junction box.

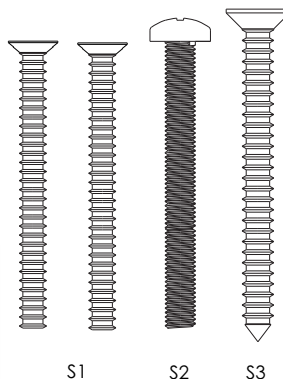
07 Fix the junction box cover (J) and crossbar (C) with the provided screws (S1), then fix the structural base (B) fastening the provided screws in the junction box (S2) and on the wall (S3).

08 With the structural base fixed, install the bulbs on the GU-10 sockets. It is indicated the use of MR-16 bulbs.

09 Fit the fixture's front cover on the structural base.

Turn on energy power, your luminaire is ready for use.

PROVIDED SCREWS



**ATTENTION!**

FAILURE TO COMPLY WITH THESE INSTRUCTIONS MAY CAUSE ACCIDENTS AND LOSS OF PRODUCT WARRANTY. Its recommended to read these instructions completely and carefully before proceeding.

**SAVE THESE INSTRUCTIONS FOR FUTURE REFERENCE.**

ACCORD Lighting guarantees coverage against manufacturing defects including electrical components and finishes, for a period of three years, under normal use, from the date of purchase. For warranty service, please contact your local dealer for further instructions. Proof of date of purchase will be required for validation of warranty service.

The responsibility of the manufacturer regarding the product warranty is related to the correct observation of the instructions contained in this manual. The manufacturer is not responsible for any damage to the product caused by accidents, alterations of any kind, improper usage or improper installation. See the website for additional warranty details.

ACCORD Lighting reserves the right to change the dimensions and specifications contained in this manual without prior notice, in accordance with its policy of continuous product improvement. Please, contact the manufacturer if additional information is necessary. The illustrations in this manual are for guidance only and may vary in scale, dimensions and model details.