


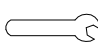



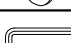


# HEKMAN

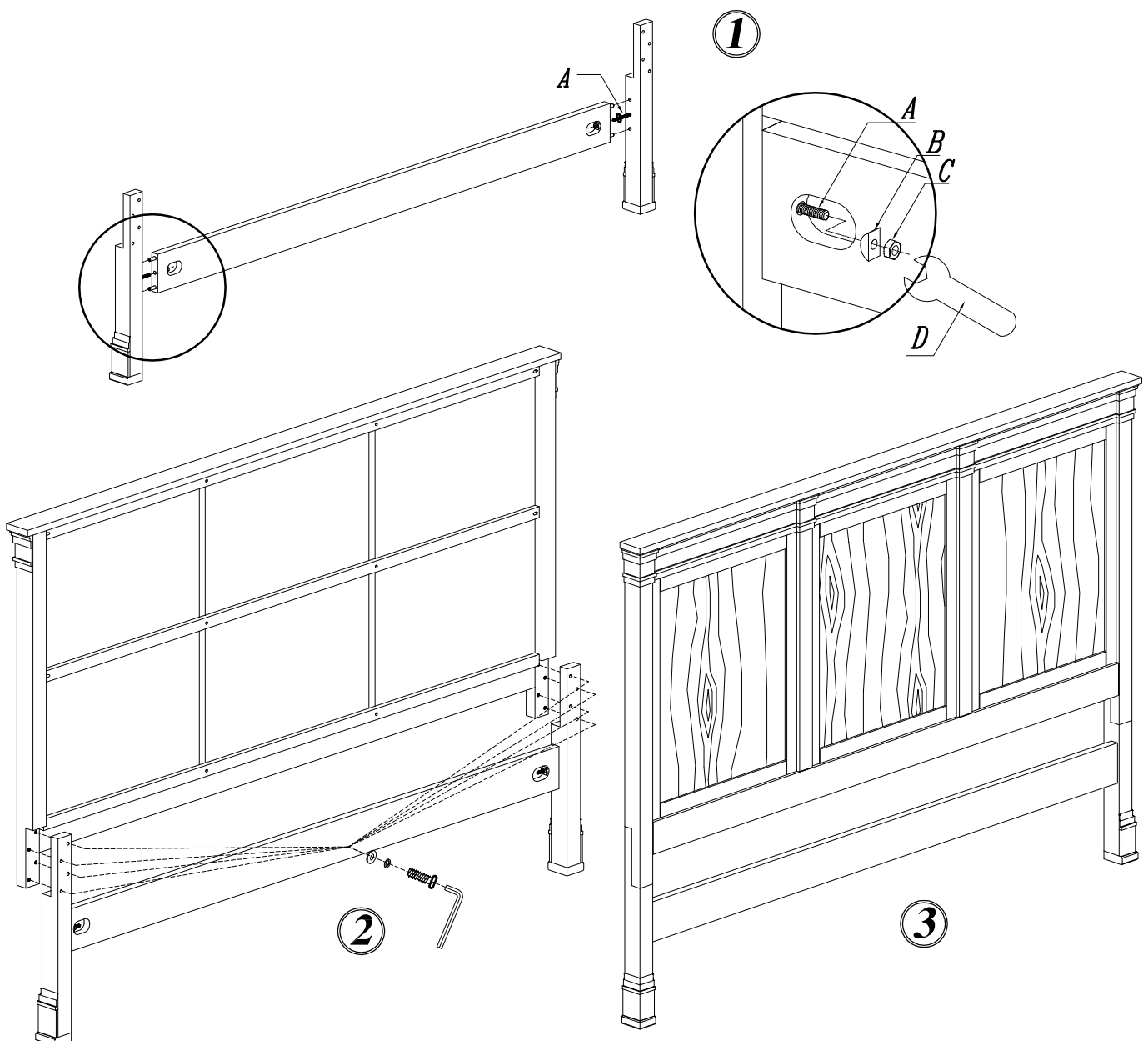
**X A HOWARD MILLER COMPANY**

## ASSEMBLY INSTRUCTIONS

25664 H / 25665 H - Queen / King Bed Headboard

NO.	Hardware List		Q'ty
A		Double Thread M8 * 100mm	2
B		Half Moon Washer	2
C		Nut M8	2
D		Wrench 13mm	1
E		Bolt M6 * 50mm L	8
F		Spring Washer M6	8
G		Flat Washer M6	8
H		Wrench L 4	1

1. ASSEMBLY THE STRECHER WITH TWO LEGS (LEFT AND RIGHT) USING BOLT (A), WASHER (B), AND NUT (C). TIGHTEN USING WRENCH (D)
2. ATTACH TO THE HEADBOARD ASSEMBLY USING BOLT (E), SPRING WASHER (F), FLAT WASHER (G), TIGHTEN USING WRENCH (H)
3. HEADBOARD READY TO ASSEMBLY WITH FOOTBOARD AND RAILS.



MADE IN INDONESIA