

### Features

- Flipstream® technology uses a single sprayhead for four unique, experiential spray patterns; Koverage™, Kotton™, Komotion™, and Kurrent™
- Changing sprays is as easy as turning the head on its axis
- 2.5 gpm (9.5 lpm) maximum flow rate
- This product can help a building earn Water Efficiency points in LEED® Green Building Rating System

### Installation

- 1/2" -14 NPT connection
- Shower arm and flange sold separately

### Recommended Products/Accessories

K-7395 Shower Arm and Flange

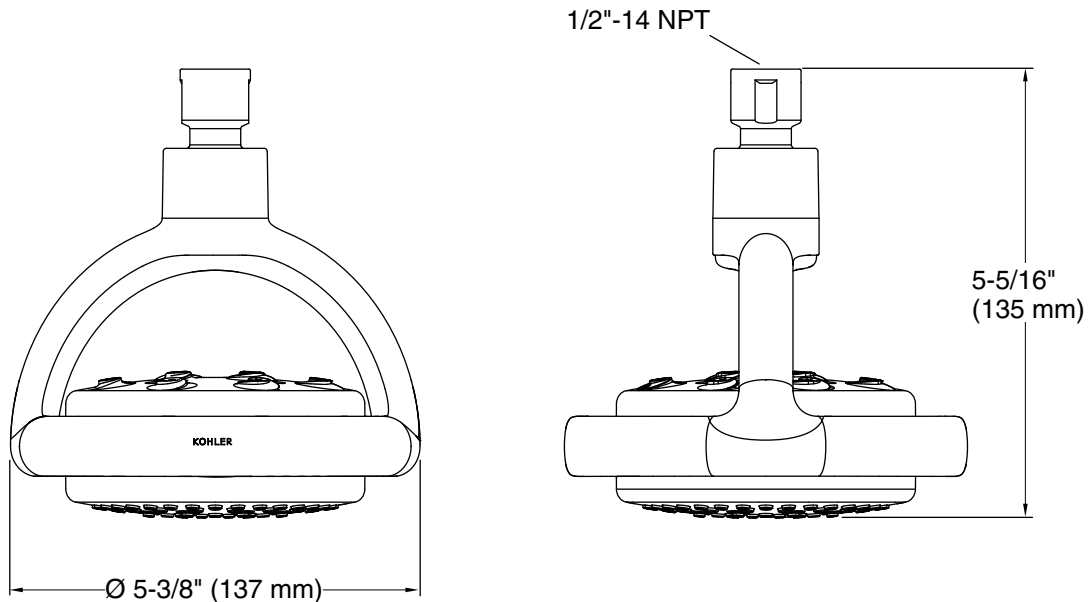


### Codes/Standards

ASME A112.18.1/CSA B125.1

### KOHLER® Faucet Lifetime Limited Warranty

See website for detailed warranty information.



### Technical Information

All product dimensions are nominal.

#### Spout:

Handshower rated max flow: 2.5 gal/min (9.5 l/min)

Shower/Rainhead rated max flow: 2.5 gal/min (9.5 l/min)

### Notes

Install this product according to the installation instructions.