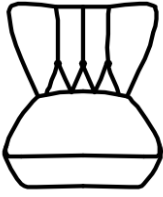



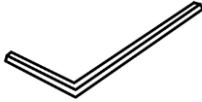


ASSEMBLY INSTRUCTION

ACCENT CHAIR

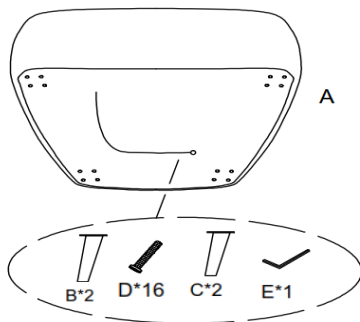
NOTE: Do not use power tools for assembly. Power tools increase the risk of over tightening which lead to splitting or cracking the wood.

COMPONENT LIST

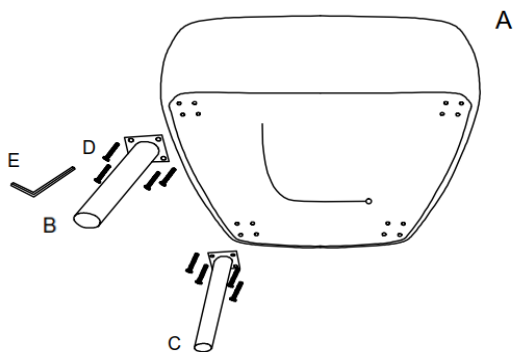
NO.	DRAWING	QTY	DESCRIPTION
A		1	SEAT
B		2	WOODEN FRONT LEG(H8.25")
C		2	WOODEN REAR LEG(H7.10")
D		16	BOLT(9/10"*1/2")
E		1	ALLEN KEY (1-1/10"*2-9/10")

Please follow the drawings below to assemble the item.

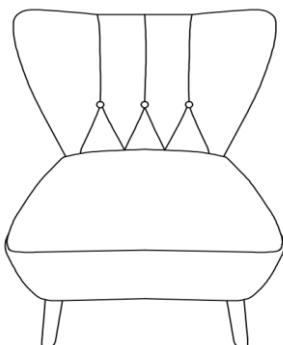
Step 1. Wooden legs are stored in the box at the bottom of chair, please take out for assembly.



Step 2. Align the legs onto the pre-drilled holes at the bottom of unit, insert bolts then tighten with Allen key.



Step 3. Completed!



CARE INSTRUCTION FOR 100% POLYESTER FURNITURE

- **Avoid exposing furniture directly to sunlight or heating and air conditioning outlets. Exposure to sunlight or heating and air conditioning outlets will fade/damage 100% polyester.**
- **Wipe gently with a damp soft cloth to remove dust, dirt and any grime buildup.**



For items use on wooden floor, hard surfaces or carpets, it is recommended to install protective pads under all legs and supports to avoid/prevent from damages/scratches and discoloration