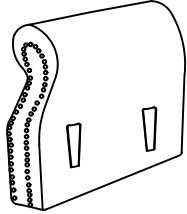


ASSEMBLY INSTRUCTION

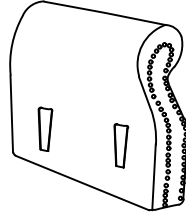
SOFA

A Left Arm



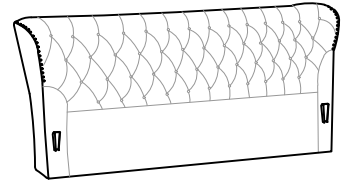
1pc

B Right Arm



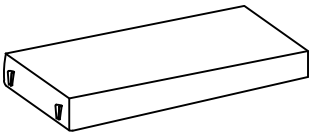
1pc

C Backrest



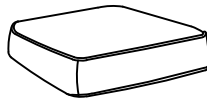
1pc

D Seat Frame



1pc

E Seat Cushion



3pcs

F Leg



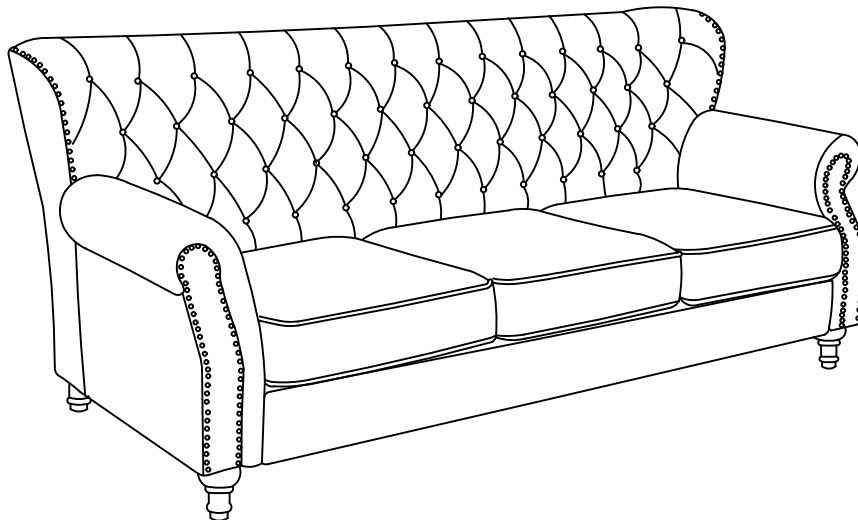
4pcs

G Support Leg

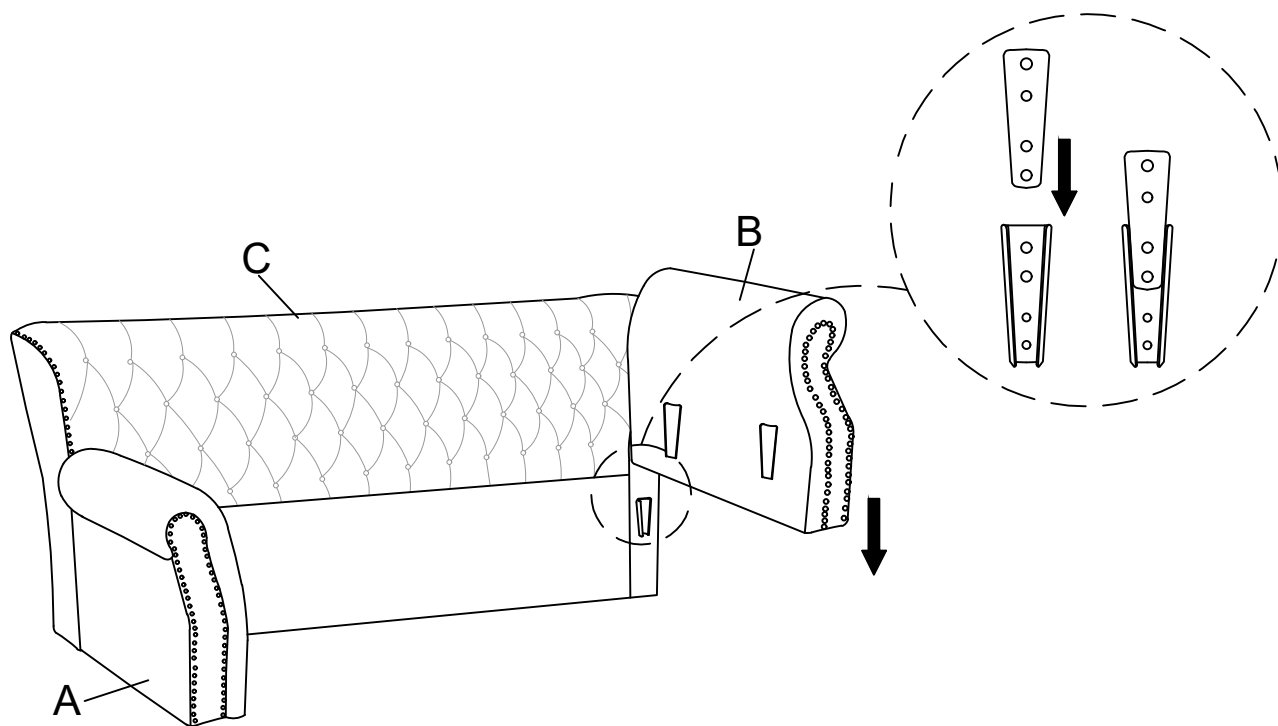


1pc

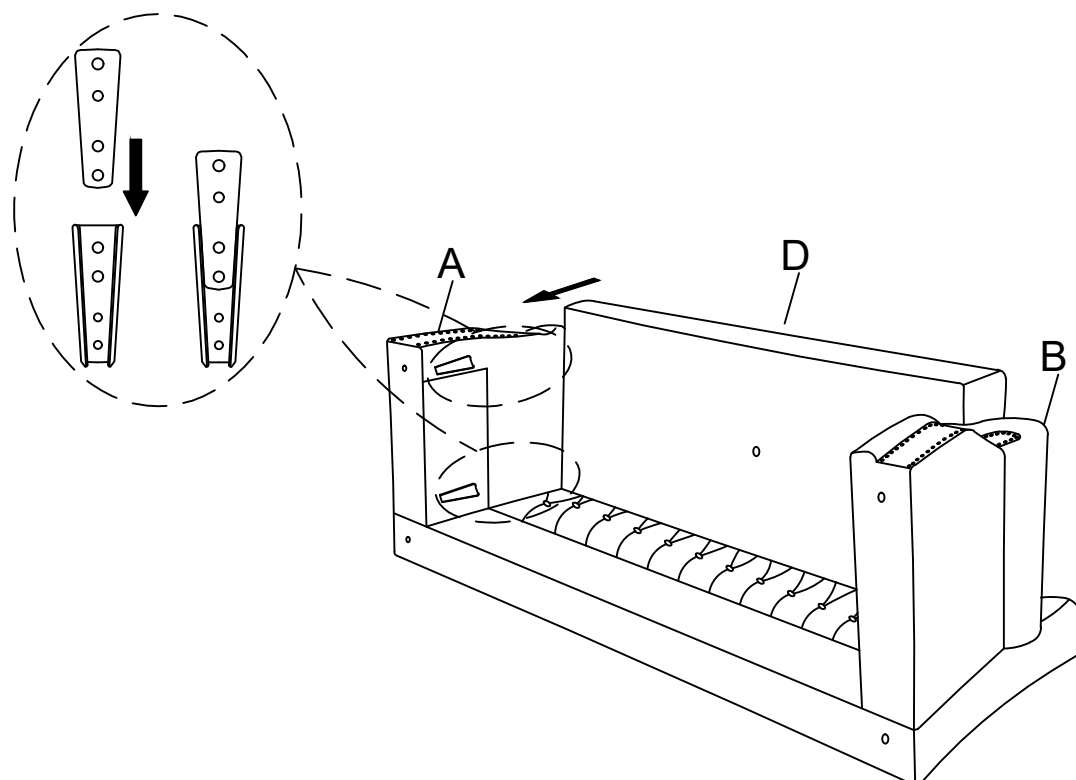
This page lists all the contents included in the box. Please take the time to identify the hardware as well as the individual components to this product. As you unpack and prepare for assembly, place the contents on a carpeted or padded area to protect them from damage.



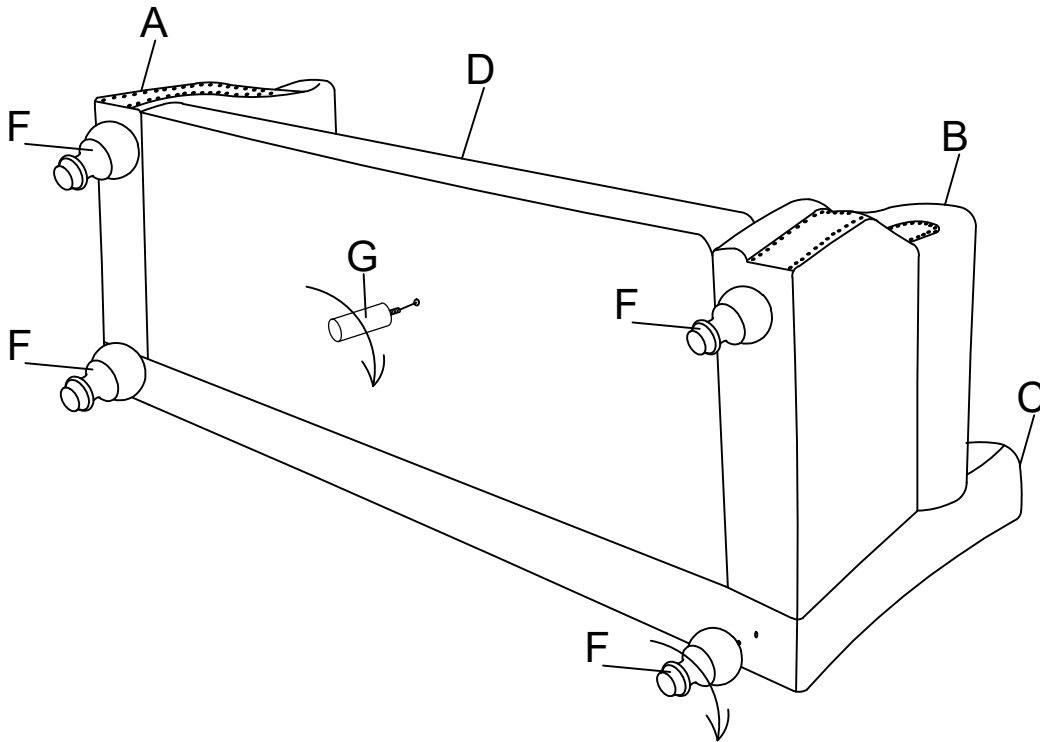
1 Slide the Left Arm (A) & Right Arm (B) into Backrest (C) as below shown.



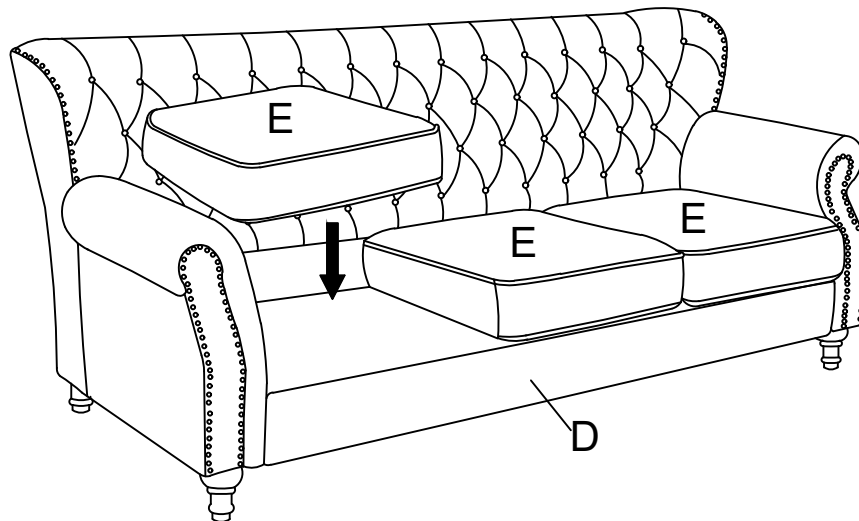
2 Slide Seat Frame (D) into Left Arm (A) & Right Arm (B) as below shown.



- 3** Rotate Leg (F) to Left Arm (A), Right Arm (B) & Back Rest (C), rotate Support Leg (G) to the center of Seat Frame (D) as below shown.



- 4** Put Seat Cushion (E) on Seat Frame (D) as below shown.



Cleaning & Care

Treat surface with care. Surface is resistant to scratches but is not scratch resistant. Clean surfaces with a dry or damp soft cloth. Do not use abrasive cleaners. Hardware may loosen over time. Periodically check that all connections are tight.