

# DGD3

## 3" Gimbal Recessed LED Downlight

### Product Description

The DGD LED Downlight Gimbal Series offers a line of gimbal downlights that simplify installing tailored lighting in challenging locations. The high performing light engine with off-board driver allows for more flexible installations and increased lifetime with improved thermal management. The DGD fixture uses a plenum-rated cable connector to link the downlight module to the remote driver box and then pops into place with its adjustable, spring-loaded retention tabs for a secure fit, eliminating the need for a J-box or recessed housing. Adding directional lighting for architectural accent in areas such as living rooms, hallways, stairways and corridors is now easier than ever.

#### Construction

- Cast aluminum trim routes heat away from electrical components
- Adjustable, spring loaded retention tabs ensure secure fixture retention
- Certified for direct contact with insulation

#### Optical System

- COB with greater than 90 CRI and an R9 greater than 50
- TIR optic provides smooth, uniform light with a 39° beam angle
- 32° Tilt with 360° rotation

#### Electrical

- Off-board driver minimizes installation height and maximizes fixture life through improved heat management
- 120V input to driver
- Dimmable to less than 5% with compatible TRIAC dimmers
- Operating temperature rating of 0°F to 120°F (-18°C to 49°C)
- Lifetime rated for greater than 60,000 hours
- LM-79, LM-80 testing performed in accordance with IESNA standards

#### Finish

- Exterior white powder coat finish
- Also available in Black, Oil-Rubbed Bronze and Nickel

#### Installation

- Spring loaded retention arms allow for easy installation into ceilings up to 1" thick with no need for a recessed housing
- Off-board driver/junction box includes three 1/2" KOs and three-port poke-in connectors
- Extension power cables (2', 10', 20') available
- Suitable for wet locations

#### Warranty

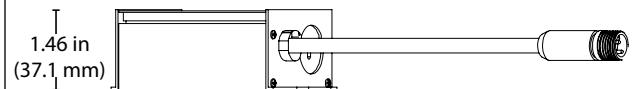
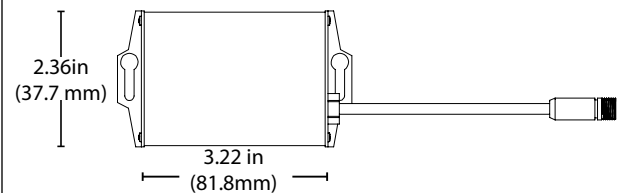
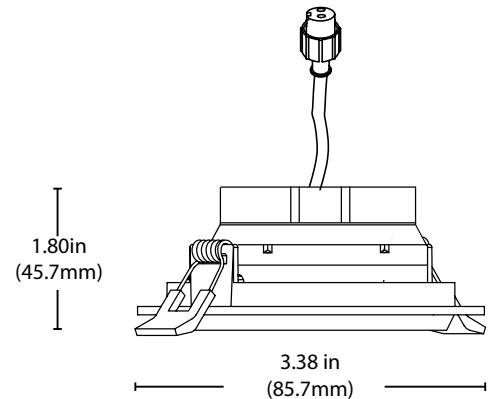
- 5-year limited system warranty standard
- Warranty does not cover product failure due to an overvoltage event (power surge)
- For installations where power surge may be possible, NICOR recommends installing additional surge protection at the electrical distribution panel

Project

Catalog

Type

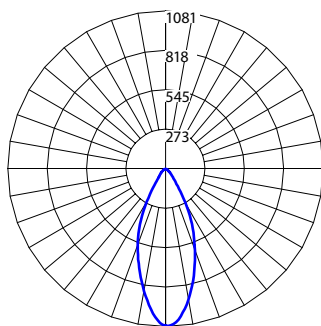
Date



## Photometric Data

### DGD3 2700K

Input Voltage (VAC)	120V
System Level Power (W)	7.9
Delivered Lumens (Lm)	571
System Efficacy (Lm/W)	72.3
Correlated Color Temp (K)	2698
Color Rendering Index (CRI)	93
Beam Angle	39°
Spacing Criteria	0.61



#### Intensity Summary (Candle Power)

Angle	Mean CP
0	1081
5	1033
15	718
25	342
35	107
45	29
55	14
65	10
75	5
85	2
90	0

#### CCT Data Multiplier

DGD311203KRD	1.029
DGD311204KRD	1.056
DGD311205KRD	1.078

#### Cone of Light Tabulation

Mounted height (Feet)	Footcandles Beam Center	Diameter (Feet)
4	67.6	2.8
6	30.0	4.2
8	16.9	5.7
10	10.8	7.1
12	7.5	8.5
14	5.5	9.9
16	4.2	11.3

#### Zonal Lumen Summary

Zone	Lumens	% of Luminaire
0-30	448	78.4%
0-40	518	90.6%
0-60	555	97.1%
0-90	571	100.0%
90-180	0	0.0%
0-180	571	100.0%

#### Performance Data - Round

Model Number	Lumens	Watts	Lumens/Watt
DGD311202KRD	571	7.9	72.3
DGD311203KRD	588	7.9	74.4
DGD311204KRD	603	7.9	76.3
DGD311205KRD	616	7.9	78.0

#### Recommended Dimmers\*

Lutron DIVA DVELV-303P  
 LEVITON C22-06672-1LW  
 Lutron Skylark SELV-300P

*\*Not a complete list.  
 Check compatibility before installation.*

## Ordering Information

Example: DGD321203KRDWH

Series	Version	Housing Input Voltage	CCT's	Shape	Trim Color
DGD3	1 (Version 1)	120 (V)	2K (2700)	RD (Round)	WH (White)
			3K (3000)		BK (Black)
			4K (4000)		NK (Nickel)
			5K (5000K)		OB (Oil-Rubbed Bronze)

Specifications and dimensions subject to change without notice.

### Accessories

*accessories sold separately*

3" Rough In Template	<b>ROUGHIN-TEMPLATE-3</b>
24" Extension Cable	<b>DLE-EXTCABLE-24</b>
10' Extension Cable	<b>DRIVER-EXTCABLE-10</b>
20' Extension Cable	<b>DRIVER-EXTCABLE-20</b>
3", 4", 6" Rough In Flat Template	<b>ROUGHIN-TEMPLATE-346</b>