



Manufactured by:
Backyard Discovery
3305 Airport Drive, Pittsburg, KS 66762
800-856-4445

Basepoint Business Centre: Rivermead Drive, Westlea, Swindon SN5 7EX Phone: 0800-118-2476
J.P. Coenstraat 7, The Bridge, The Hague, 2595 WP, Netherlands Phone: 08005678990

18x10 SARASOTA LOUVERED PERGOLA

MODEL # : 2407145B



Please visit www.backyarddiscovery.com
For the most up to date assembly manual, to register your product, or to order
replacement parts *Para obtener instrucciones en español, visite*
www.backyarddiscovery.com



EASY STEP-BY-STEP
3D INTERACTIVE INSTRUCTIONS
DOWNLOAD THE FREE APP



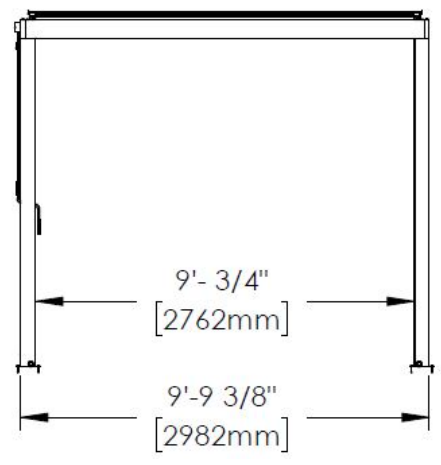
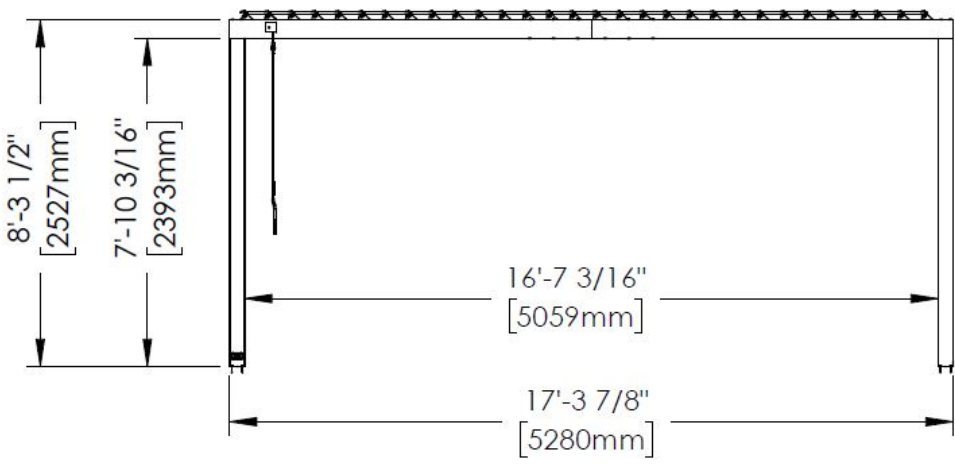
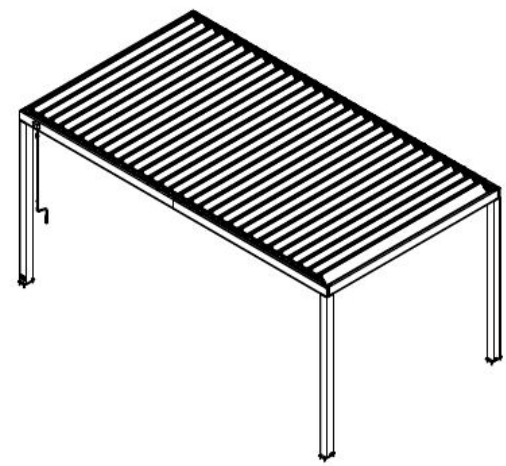
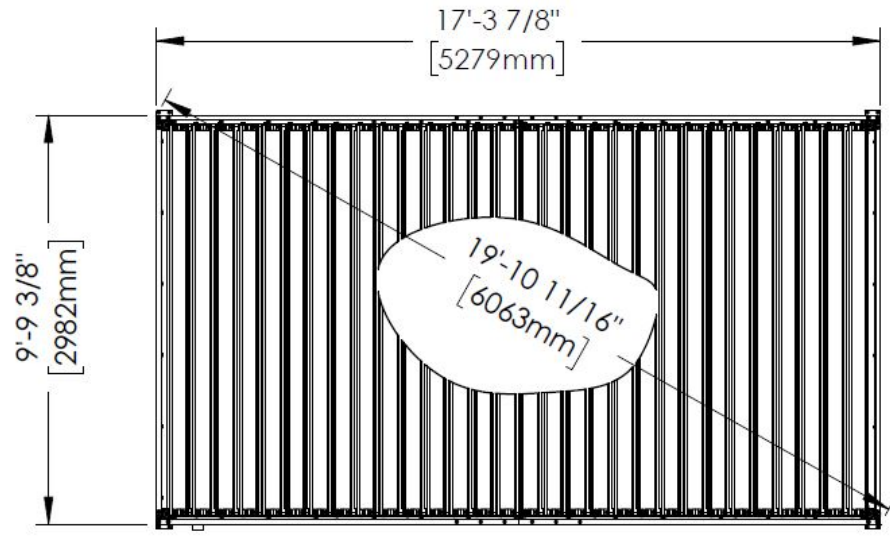
OWNER'S MANUAL - BASIC SETUP DIMENSIONS & ASSEMBLY NOTES

It is critically important that you start with square and level footings, concrete pad or deck to attach your structure

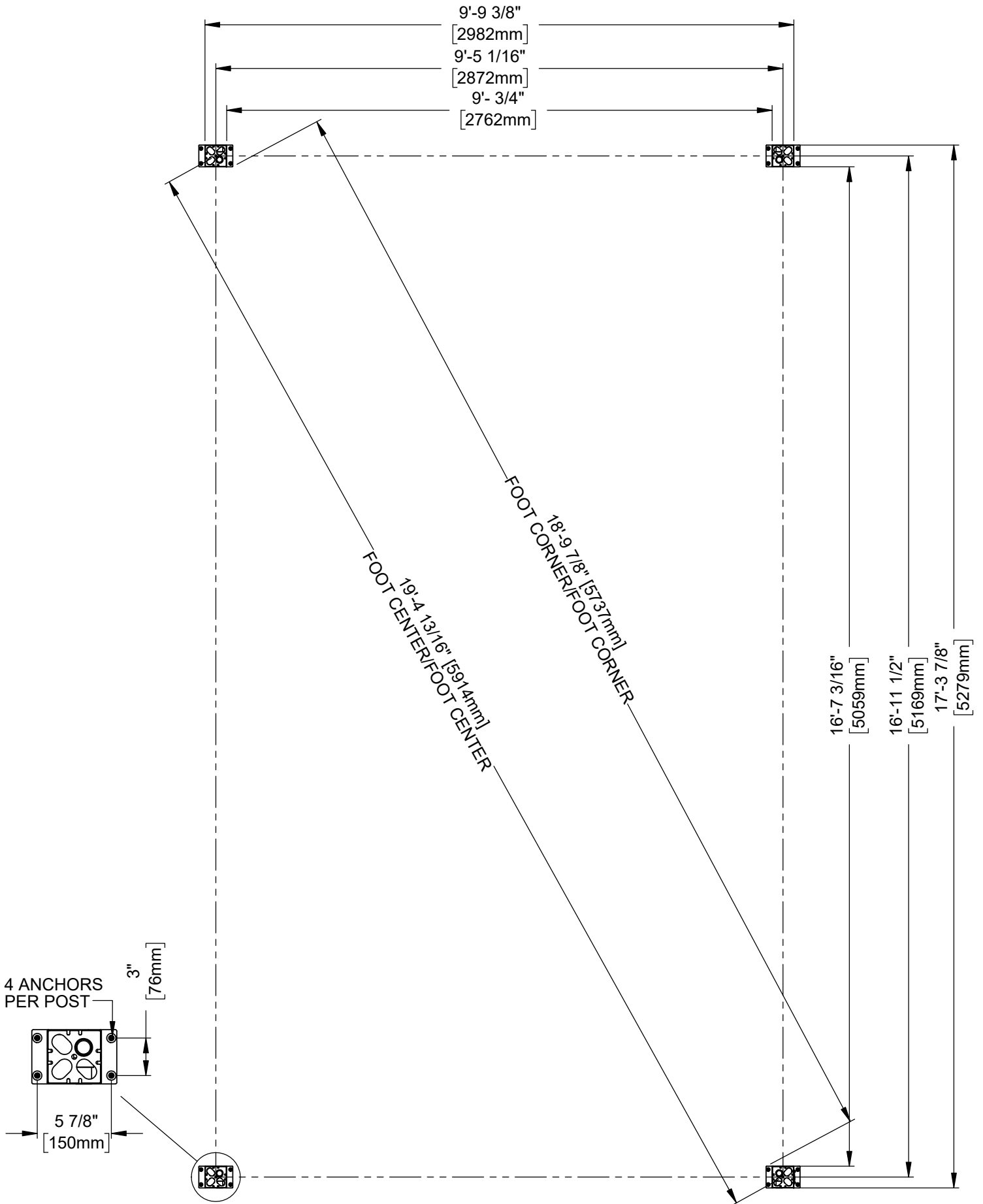
- Pay close attention to the items needed for each step. Make sure you are using the correct hardware for each step. Using incorrect hardware may result in improper assembly
- Remember to double check for underground utilities and overhead electrical lines

Post mounts are provided with your structure which allows you to permanently install your structure to a pre-existing or new wood or concrete surface. See Anchor Instructions for further details and recommendations.

- The hardware to attach the post mounts to the structure is included.
- The hardware to mount the structure permanently to a concrete surface is included.
- The hardware to mount the structure permanently to a wood deck is NOT included and will need to be purchased separately. You must ensure there is ample structural support under the deck before permanently attaching.

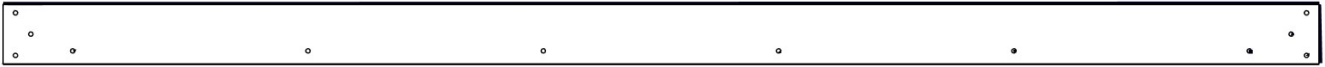


OWNER'S MANUAL- ANCHORING LAYOUT

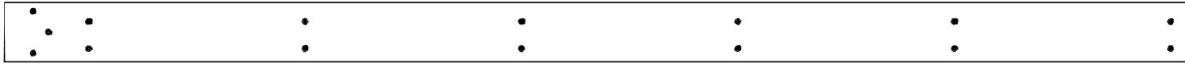


NOTE: DIMENSIONS ARE TO ANCHOR PLATE ON BOTTOM OF POST EXCEPT WHERE NOTED

OWNERS MANUAL - PARTS IDENTIFICATION



B01 BEAM - A4M01986
(x2) 1 7/16"x5 1/4"x114 1/2" (36x134x2910)



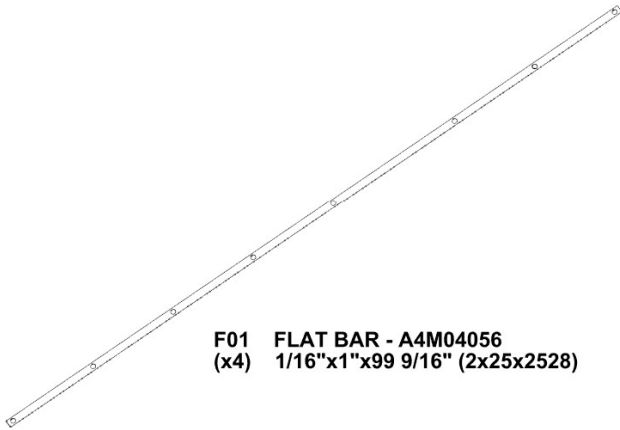
B02 BEAM - A4M04049
(x2) 1 7/16"x5 1/4"x103 7/8" (36x134x2639)



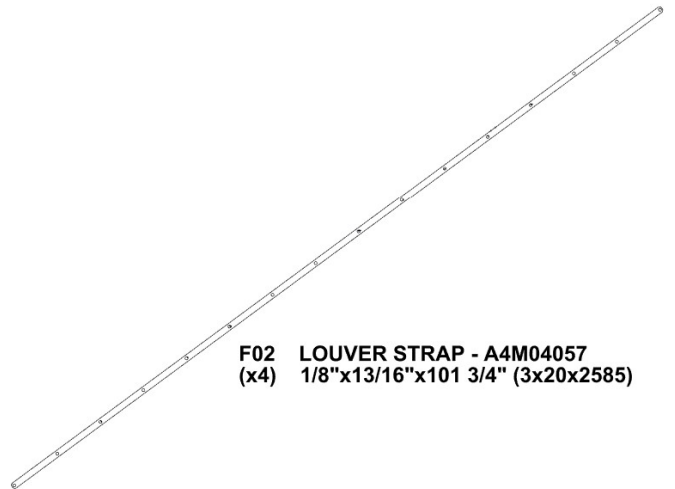
B03 BEAM - A4M04050
(x1) 1 7/16"x5 1/4"x103 7/8" (36x134x2639)



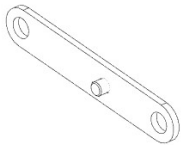
B04 BEAM - A4M04048
(x1) 1 7/16"x5 1/4"x103 7/8" (36x134x2639)



F01 FLAT BAR - A4M04056
(x4) 1/16"x1"x99 9/16" (2x25x2528)



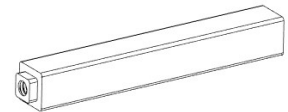
F02 LOUVER STRAP - A4M04057
(x4) 1/8"x13/16"x101 3/4" (3x20x2585)



F03 LINKAGE STRAP - A4M02229
(x1) 1/8"x11/16"x3 13/16" (13x17x97)



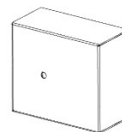
F04 LINKAGE STRAP - A4M02225
(x1) 1/8"x13/16"x2 5/8" (3x20x66)



F05 KEY STOCK - A4M02226
(x1) 1/2"x1/2"x3 3/4" (13.0x13.0x95)

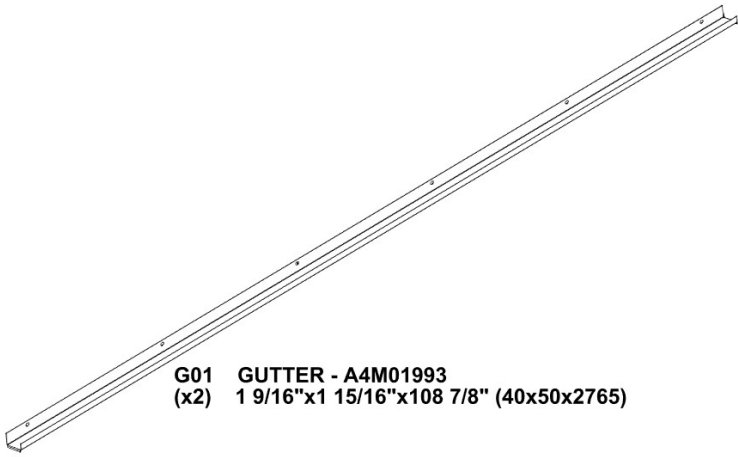


F06 SPACER - A4M02227
(x1) 1/16"x2 3/16"x2 3/4" (1.5x56x70)

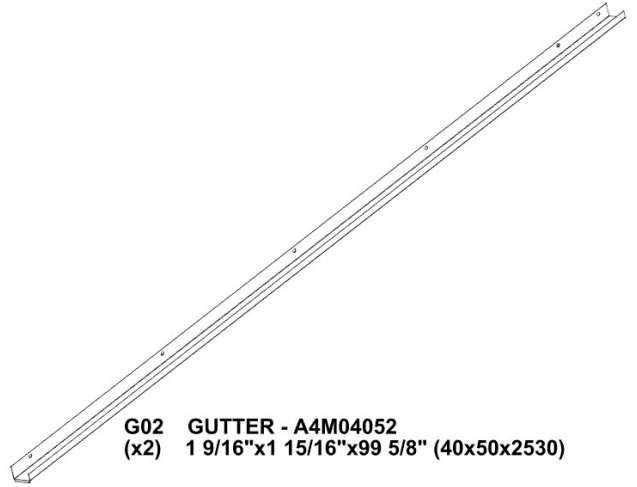


F07 COVER - A4M02228
(x1) 1 9/16"x2 7/8"x3 1/4" (39.5x73x82)

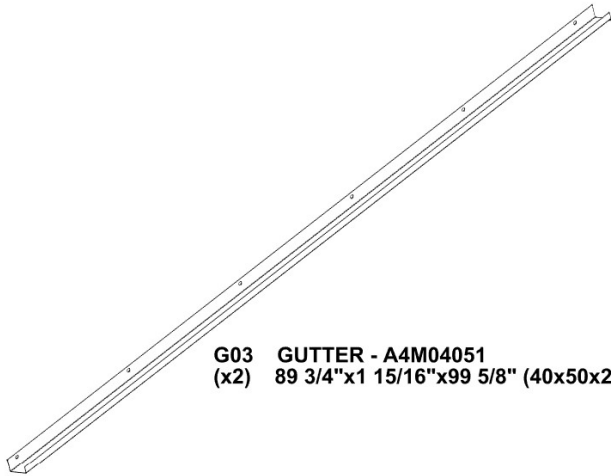
OWNERS MANUAL - PARTS IDENTIFICATION



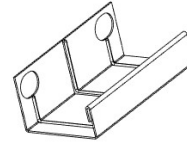
G01 GUTTER - A4M01993
(x2) 1 9/16"x1 15/16"x108 7/8" (40x50x2765)



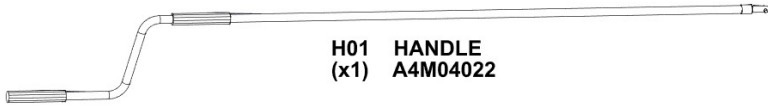
G02 GUTTER - A4M04052
(x2) 1 9/16"x1 15/16"x99 5/8" (40x50x2530)



G03 GUTTER - A4M04051
(x2) 89 3/4"x1 15/16"x99 5/8" (40x50x2530)



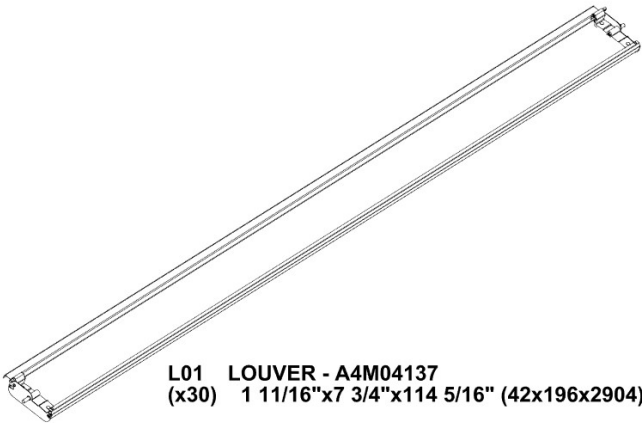
G05 GUTTER SPLICE - A4M02004
(x2) 1 7/16"x2 1/16"x3 15/16" (36x52.5x100)



H01 HANDLE
(x1) A4M04022



J1 SPLICE BRACKET - A4M02230
(x2) 1 5/16"x5 3/16"x39 3/8" (33.2x131.2x1000)



L01 LOUVER - A4M04137
(x30) 1 11/16"x7 3/4"x114 5/16" (42x196x2904)

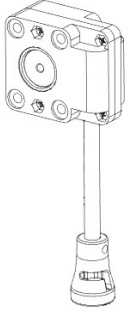


L02 LOUVER DRIVE SIDE PLATE - A4M04139
(x1) 1/16"x2 3/16"x6 9/16" (2x55x167)

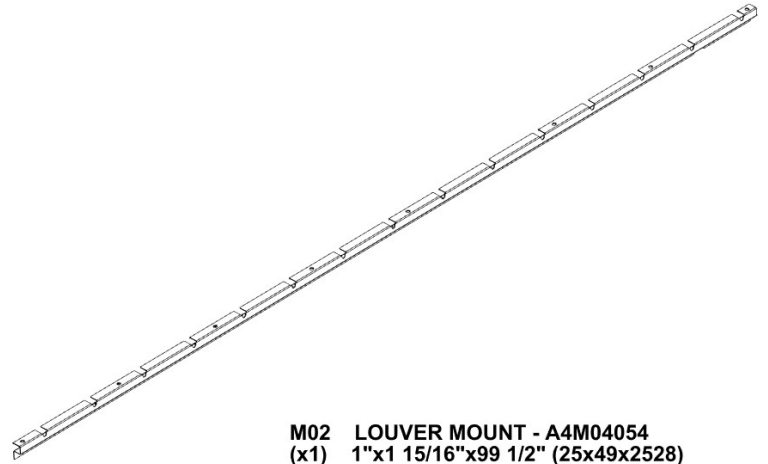


L03 LOUVER SIDE PLATE - A4M04138
(x59) 1/16"x2 3/16"x6 9/16" (2x55x167)

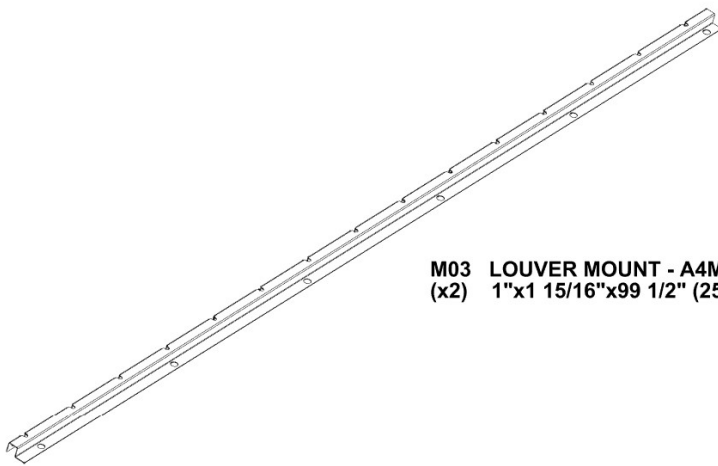
OWNERS MANUAL - PARTS IDENTIFICATION



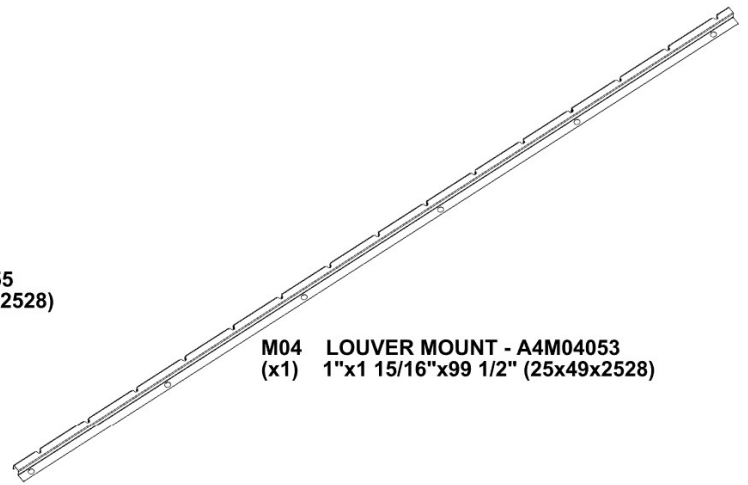
L04 LOUVER MECHANISM
(x1) A4M02132



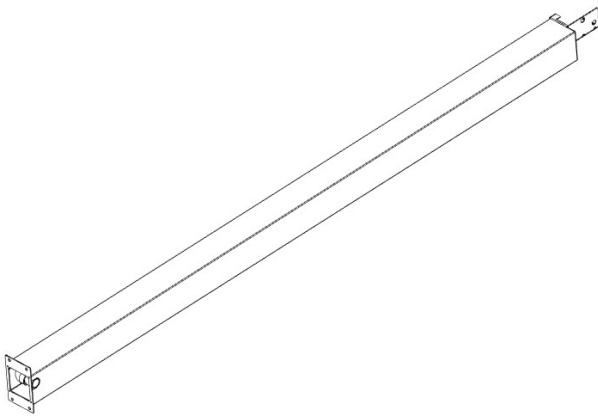
M02 LOUVER MOUNT - A4M04054
(x1) 1"x1 15/16"x99 1/2" (25x49x2528)



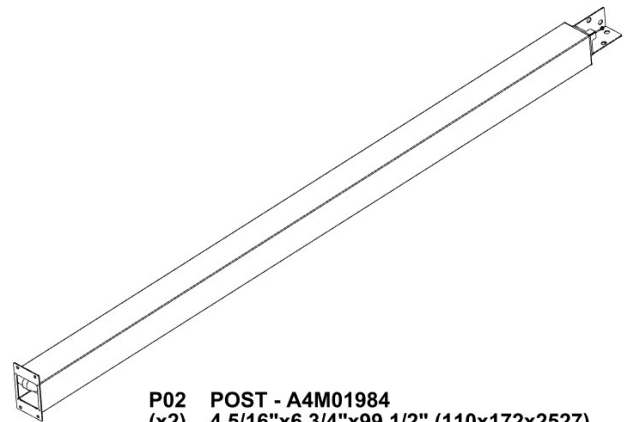
M03 LOUVER MOUNT - A4M04055
(x2) 1"x1 15/16"x99 1/2" (25x49x2528)



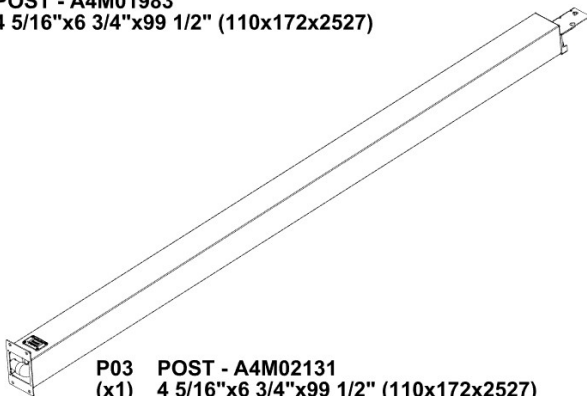
M04 LOUVER MOUNT - A4M04053
(x1) 1"x1 15/16"x99 1/2" (25x49x2528)



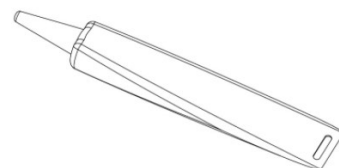
P01 POST - A4M01983
(x1) 4 5/16"x6 3/4"x99 1/2" (110x172x2527)



P02 POST - A4M01984
(x2) 4 5/16"x6 3/4"x99 1/2" (110x172x2527)



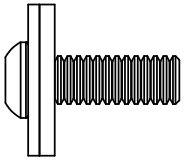
P03 POST - A4M02131
(x1) 4 5/16"x6 3/4"x99 1/2" (110x172x2527)



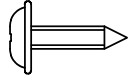
A6P00796 SILICONE
(x1)

OWNER'S MANUAL - PARTS IDENTIFICATION

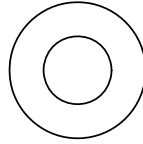
Hardware Components



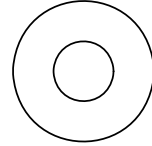
**H101202 TORX PAN HEAD
(x140) 1/4-20x3/4 ASSY**



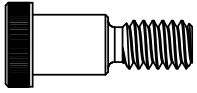
**H100408 SCREW PWH BLK
(x120) 8x1/2**



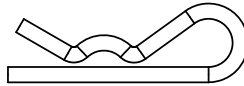
**H100474 WASHER FLAT BLK
(x5) 9x18**



**H100630 WASHER FLAT BLK
(x16) 8x19**



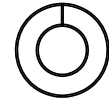
**H101189 LOW PROFILE SHOULDER BOLT BLK
(x2) 1/4-20x3/8**



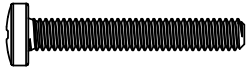
**H101161 COTTER PIN
(x60)**



**H100653 NUT LOCK BLK
(x2) 1/4**



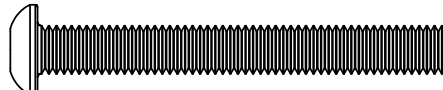
**H100774 WASHER SPLIT BLK
(x1) 1/4**



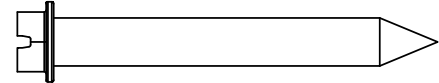
**H101187 BOLT PPH BLK
(x1) 8-32x1 1/8**



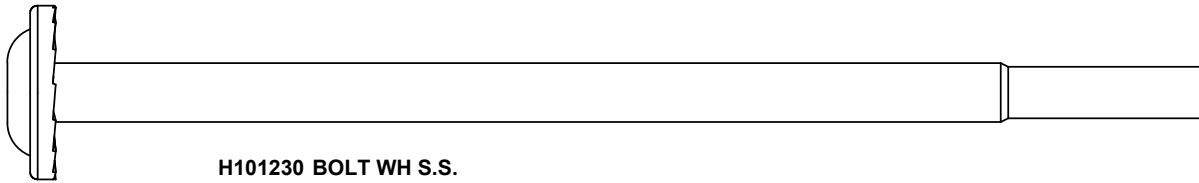
**H101101 TORX PAN HEAD BLK
(x1) 1/4-20x3/4"**



**H101126 TORX PAN HEAD BLK
(x4) 1/4-20x2 1/8"**



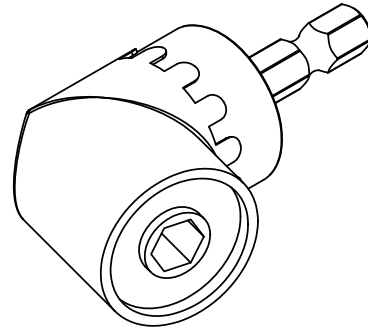
**H100120 CONCRETE ANCHOR
(x16) 1/4x2**



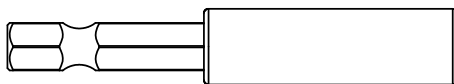
**H101230 BOLT WH S.S.
(x16) 5/16x6**



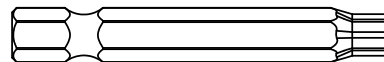
**H100114 TORX WRENCH
(x1) T-30**



**H101114 RIGHT ANGLE DRILL ADAPTER
(x1)**



**H101100 MAGNETIC DRIVER
(x1)**



**H100147 TORX BIT
(x1) T-30**

PRE-ASSEMBLY STEP 1 - SORTING PARTS

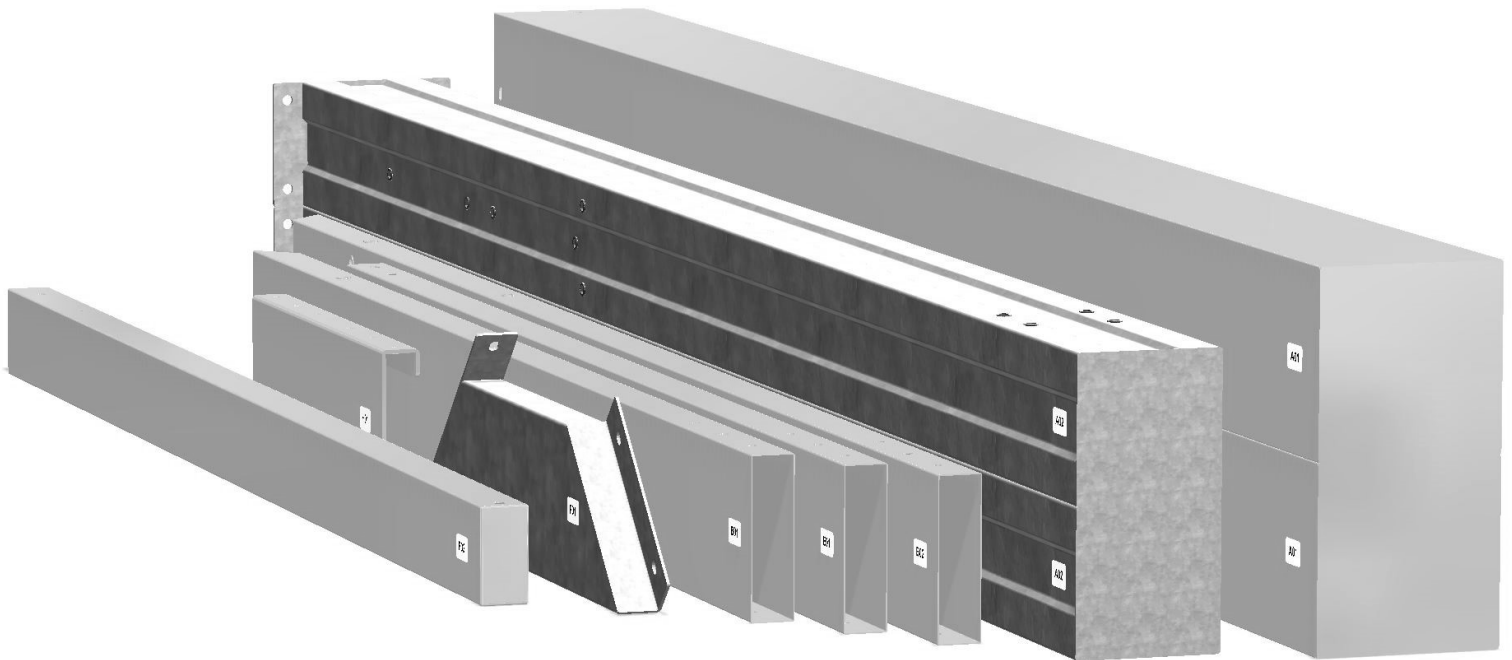
It is critical for ease of assembly that you take the time to sort and organize the parts and hardware.

METAL PARTS:

- Organize metal parts by the three-digit, alpha-numeric number stamped on each part (ex. P01).
- If there are multiple parts with the same stamped number, stack those pieces together.
- Stamps can be found on the flat surface of the parts or on the end of the parts.
- Allow yourself plenty of room - the parts can take up a significant amount of space.

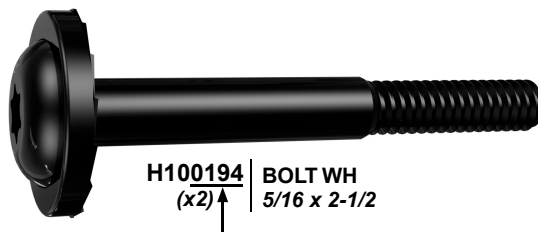
NOTE: CARTONS ARE NOT ORGANIZED BY PART NUMBER.

IT IS RECOMMENDED TO LEAVE LOUVER ASSEMBLIES IN BOX UNTIL NEEDED.



HARDWARE PARTS:

- We recommend that you have a separate table to organize the hardware.
- Hardware bags are printed with a seven-digit, alpha-numeric part number.
- You can organize your hardware by part number or group by hardware type (i.e. bolts, nuts, etc.).
- During assembly you only need to reference the last four digits of the number.



PRE-ASSEMBLY STEP 2 - TOOLS REQUIRED



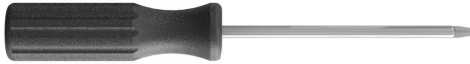
Cordless Drill or
Electric Drill



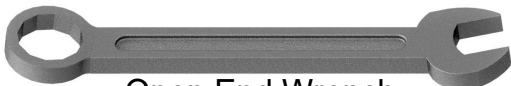
Drill Attachments:
Phillips Head



1/8", 3/16", 3/8" &
7/16" Drill Bits



Phillips Screw Driver



Open End Wrench
7/16"



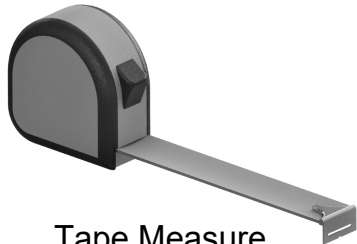
3/8" Drive Ratchet, 1/2" &
7/16" STD Sockets 1/2" & 7/16"
Deep Sockets



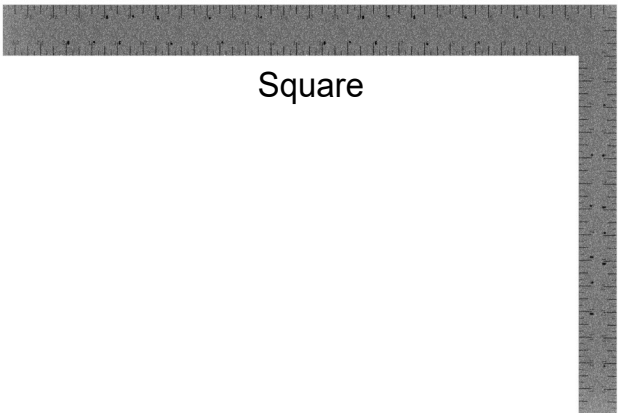
Claw Hammer



Rubber Mallet -
Optional



Tape Measure



Square




Level 24"

PRE-ASSEMBLY STEP 3 - CHOOSE YOUR ASSEMBLY METHOD

There are several types of assembly instructions available to you.

1. Printed Assembly Manual included with your set
2. BILT APP - 3D interactive instructions
3. Combination of the Printed Manual and BILT APP (Note: Step numbers can differ between the two methods)



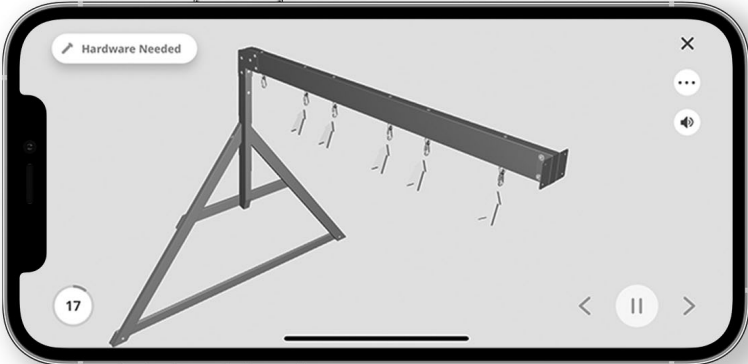
BILT[®]

Scan for easy
3D instructions

Download the BILT app
before you begin

Download on the
App Store

GET IT ON
Google Play



Hardware Needed

17

< || >

The image shows a smartphone screen displaying a 3D assembly instruction. The screen features a 3D model of a metal frame with a horizontal beam and several vertical supports. A 'Hardware Needed' button is visible in the top left corner. The number '17' is in the bottom left corner. Navigation controls (back, play/pause, forward) are at the bottom. The phone is shown in a perspective view with a drop shadow.

STEP 1 - BEAM ASSEMBLY

QTY	PART NUMBER	DESCRIPTION
6	H101202	TORX PAN HEAD 1/4-20x3/4 ASSY

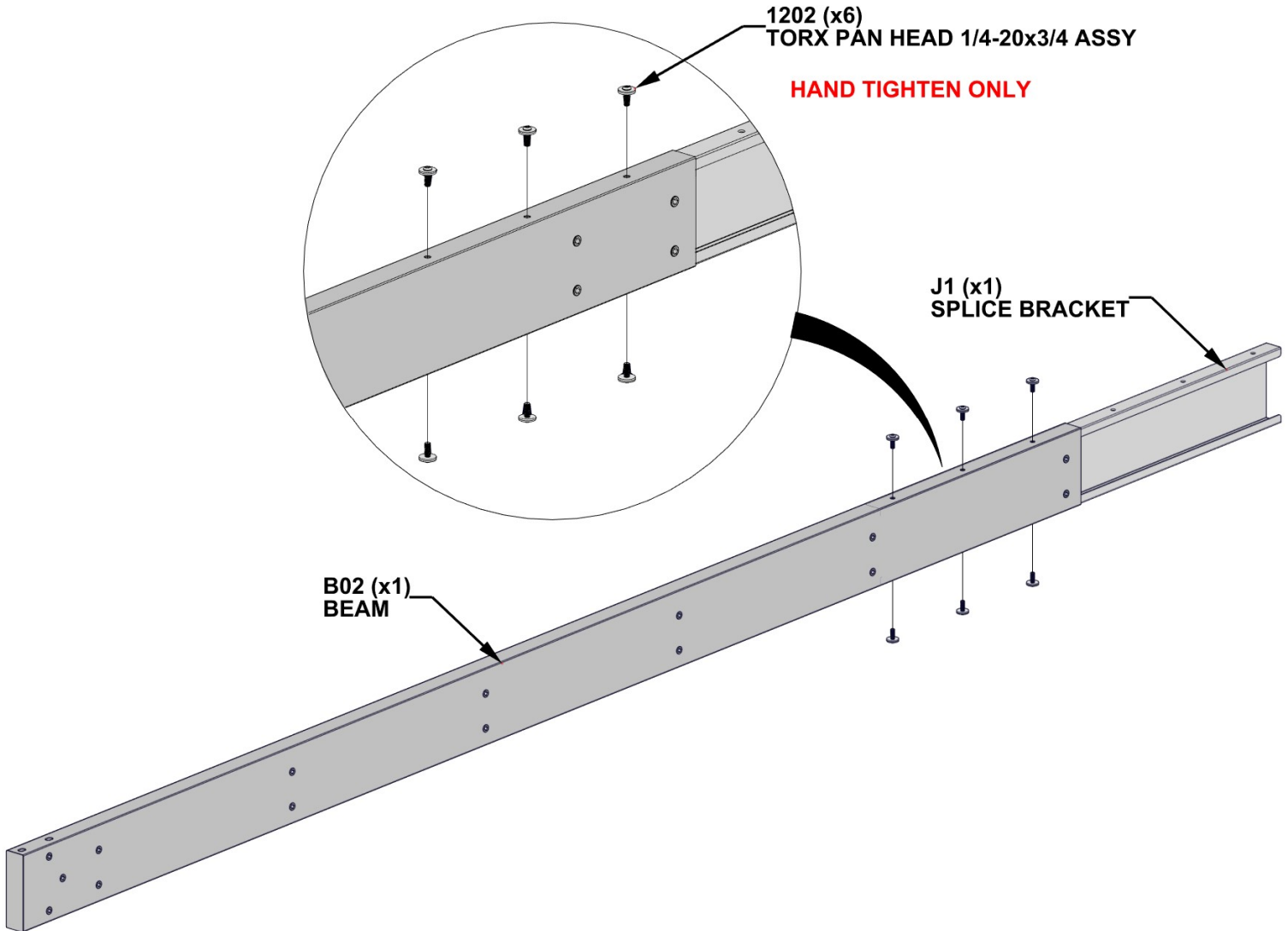


B02 BEAM - A4M04049
 (x1) 1 7/16"x5 1/4"x103 7/8" (36x134x2639)



J1 SPLICE BRACKET - A4M02230
 (x1) 1 5/16"x5 3/16"x39 3/8" (33.2x131.2x1000)

- FOR EASE OF ASSEMBLY, WE RECOMMEND USING SAWHORSES FOR STEPS 1-7.
- BEAM AND SPLICE MUST BE ORIENTED AS SHOWN BELOW. SLIDE J1 INTO B02 AND LINE UP THREE HOLES TOP AND BOTTOM.



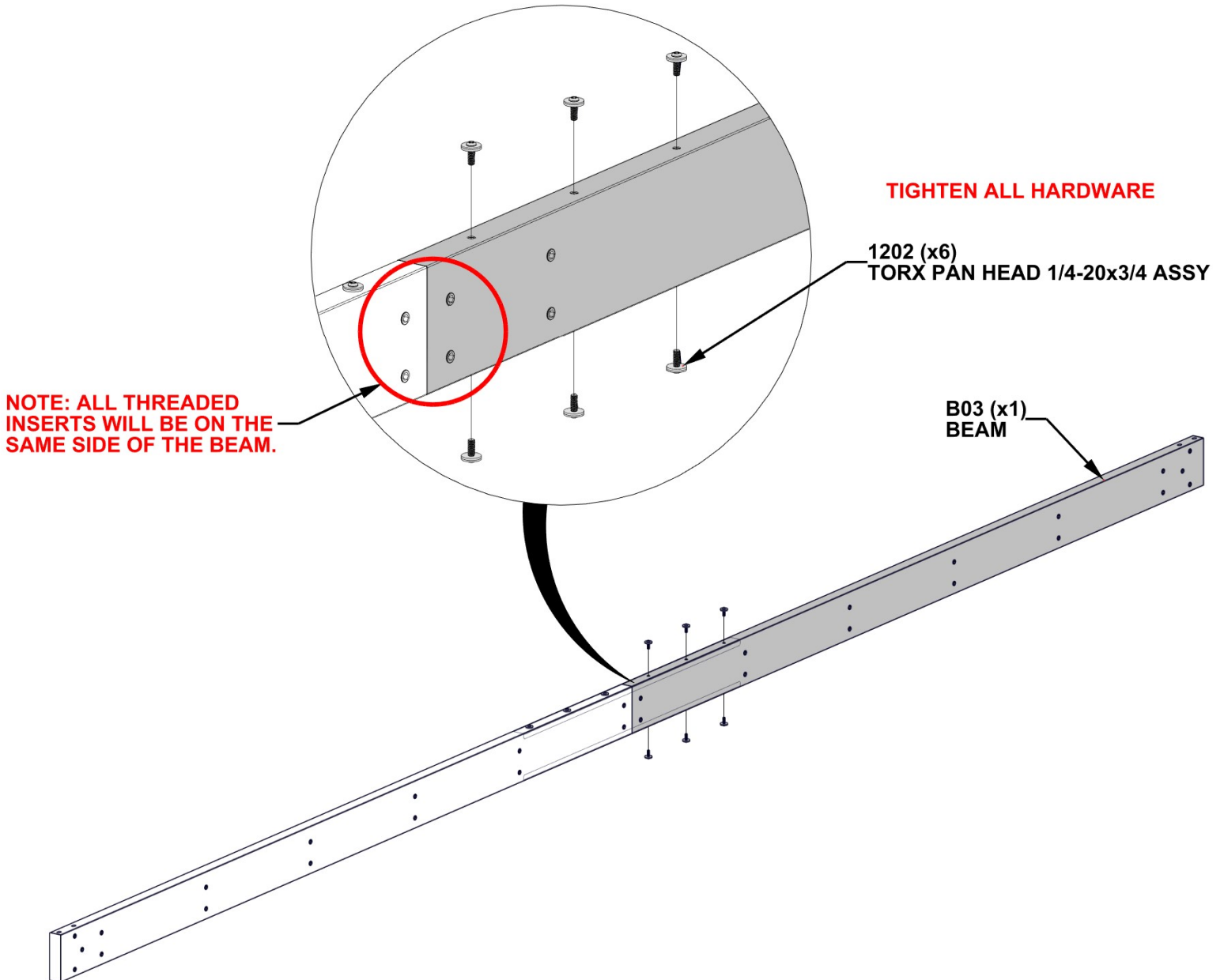
STEP 2 - BEAM ASSEMBLY

QTY	PART NUMBER	DESCRIPTION
6	H101202	TORX PAN HEAD 1/4-20x3/4 ASSY



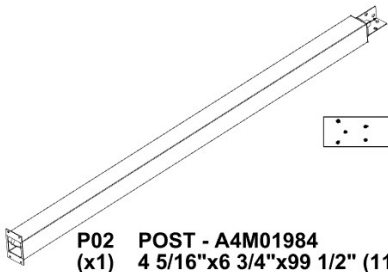
B03 BEAM - A4M04050
(x1) 1 7/16"x5 1/4"x103 7/8" (36x134x2639)

- SLIDE B03 INTO SPLICE BRACKET. GENTLY TAP ENDS OF ASSEMBLY WITH RUBBER Mallet UNTIL GAP CLOSES, THEN TIGHTEN ALL BOLTS ON BEAM.

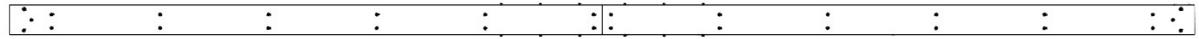


STEP 3A - FRAME ASSEMBLY

QTY	PART NUMBER	DESCRIPTION
2	H101230	BOLT WH 5/16x6 S.S.



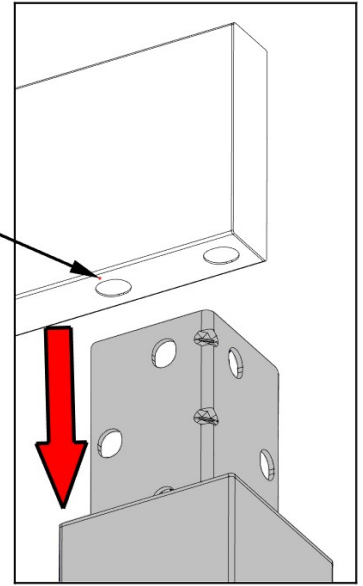
P02 POST - A4M01984
(x1) 4 5/16"x6 3/4"x99 1/2" (110x172x2527)



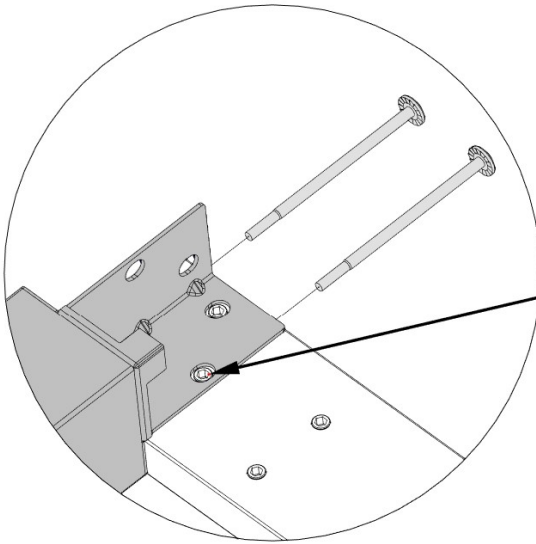
BEAM ASSEMBLY
STEP 2

- ATTACH BEAM ASSEMBLY TO POST BY ALIGNING SLOTS IN BEAM WITH THREADED INSERTS ON POST PLATE. FLUSH ALL SIDES OF BEAM AND POST BEFORE TIGHTENING HARDWARE.

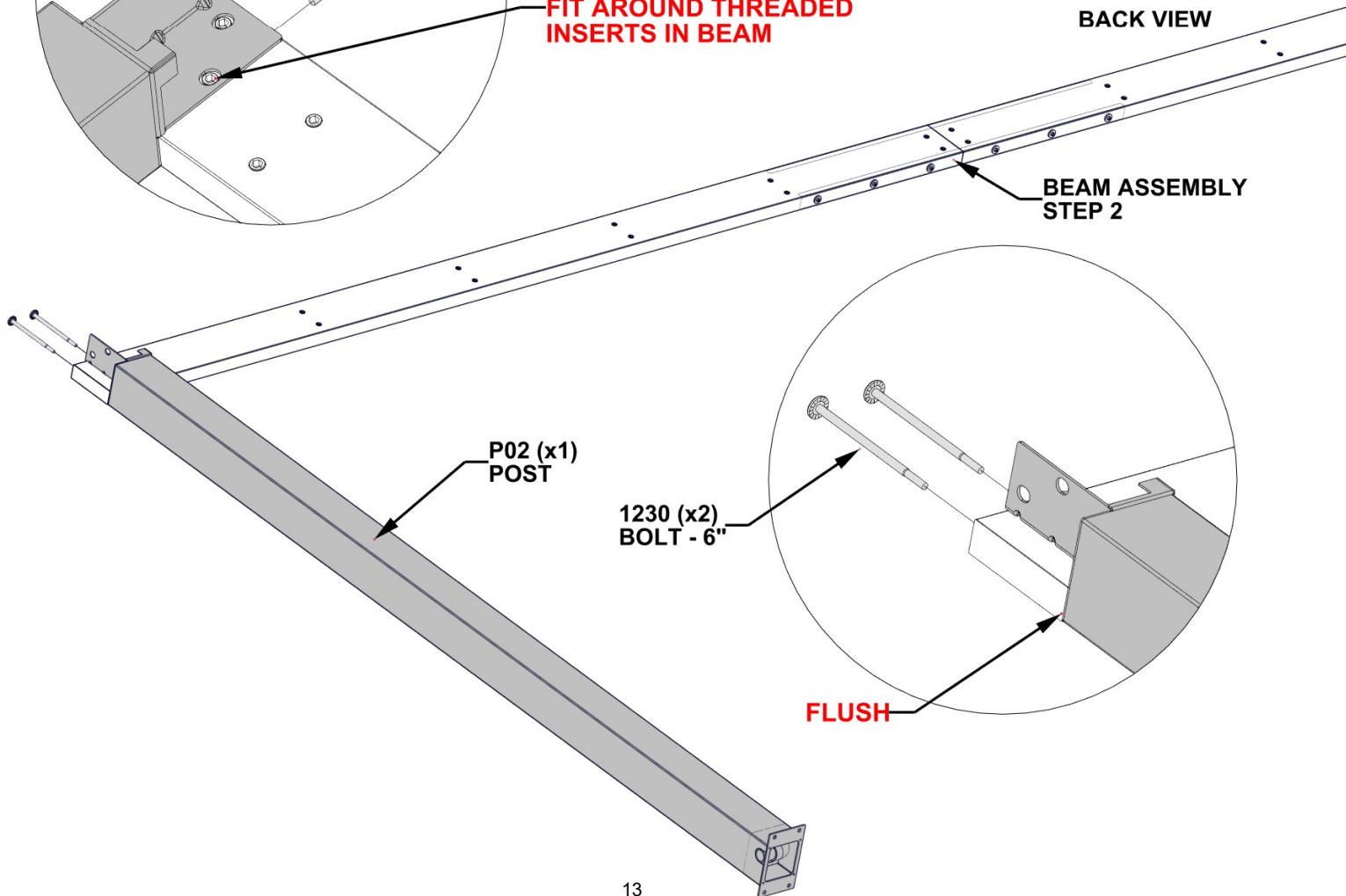
NOTE: LARGE SLOTS INDICATE BOTTOM SURFACE OF BEAM. SLOTS WILL FIT AROUND THREADED INSERTS IN POST PLATE.



BACK VIEW



NOTE: POST BRACKET WILL FIT AROUND THREADED INSERTS IN BEAM



BEAM ASSEMBLY
STEP 2

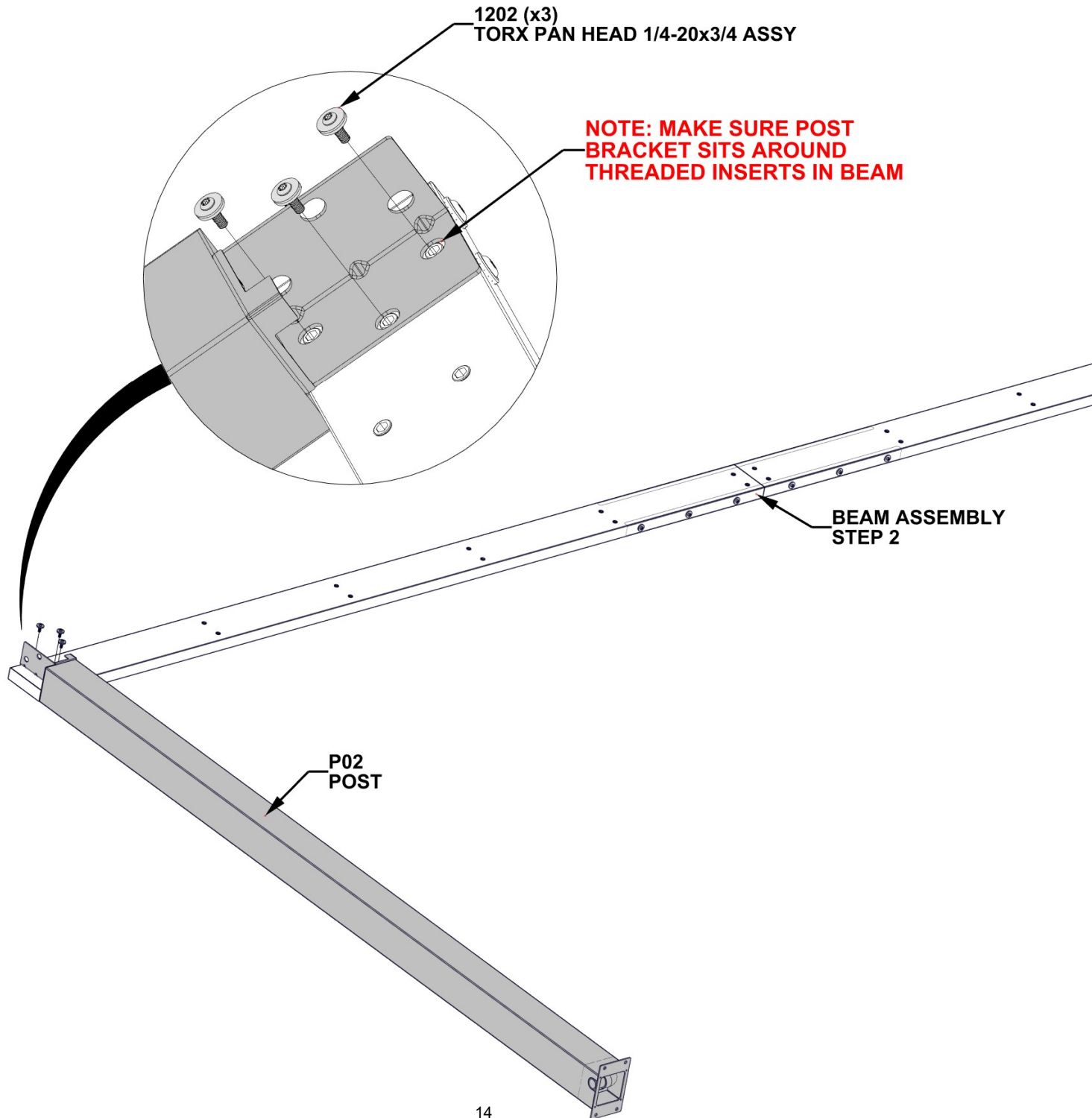
P02 (x1)
POST

1230 (x2)
BOLT - 6"

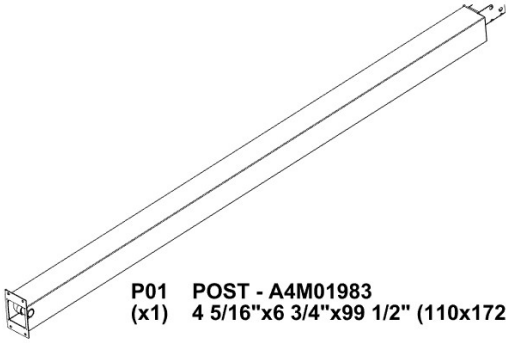
FLUSH

STEP 3B - FRAME ASSEMBLY

QTY	PART NUMBER	DESCRIPTION
3	H101202	TORX PAN HEAD 1/4-20x3/4 ASSY



STEP 4A - FRAME ASSEMBLY

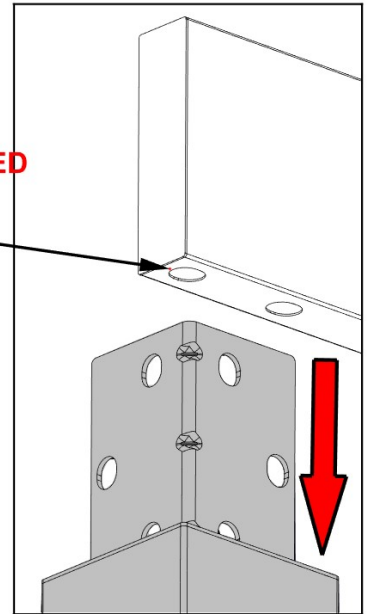


P01 POST - A4M01983
(x1) 4 5/16"x6 3/4"x99 1/2" (110x172x2527)

QTY	PART NUMBER	DESCRIPTION
2	H101230	BOLT WH 5/16x6 S.S.

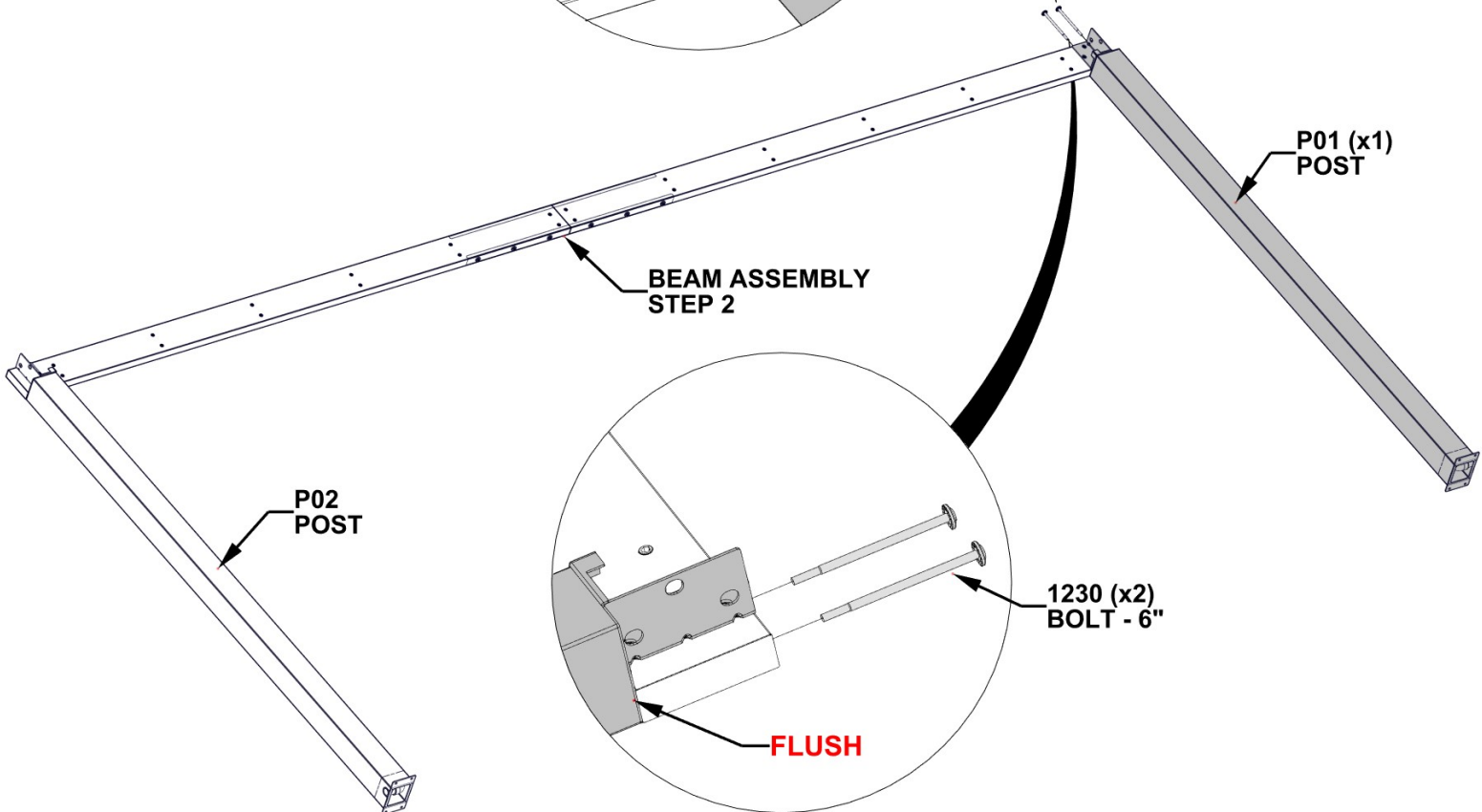
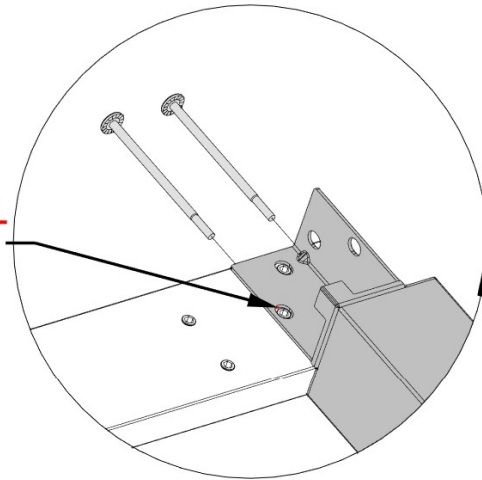
- ATTACH BEAM ASSEMBLY TO POST BY ALIGNING SLOTS IN BEAM WITH THREADED INSERTS ON POST PLATE. FLUSH ALL SIDES OF BEAM AND POST BEFORE TIGHTENING HARDWARE.

NOTE: LARGE SLOTS INDICATE BOTTOM SURFACE OF BEAM. SLOTS WILL FIT AROUND THREADED INSERTS IN POST PLATE



BACK VIEW

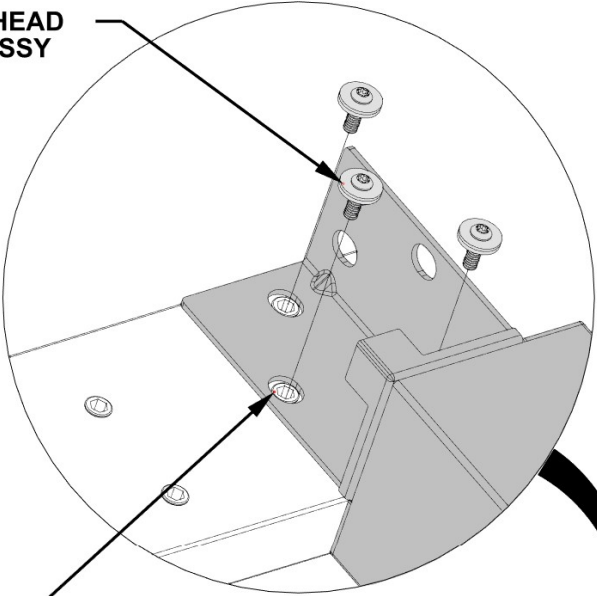
NOTE: POST BRACKET WILL FIT AROUND THREADED INSERTS IN BEAM



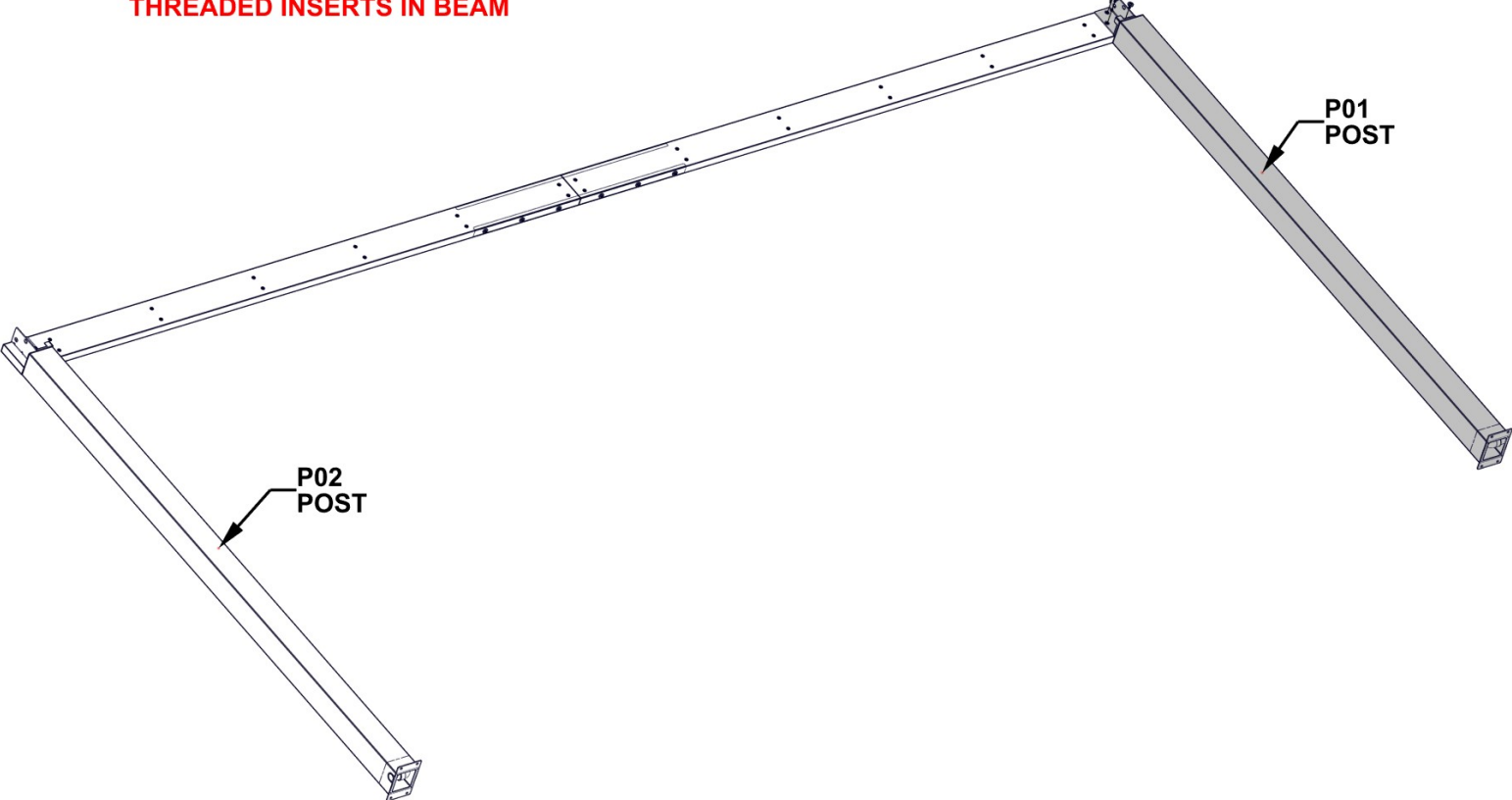
STEP 4B - FRAME ASSEMBLY

QTY	PART NUMBER	DESCRIPTION
3	H101202	TORX PAN HEAD 1/4-20x3/4 ASSY

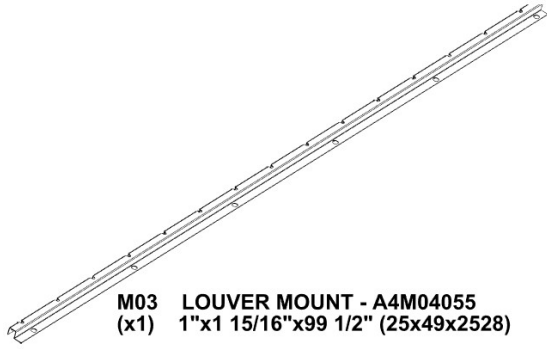
1202 (x3)
TORX PAN HEAD
1/4-20x3/4 ASSY



NOTE: MAKE SURE POST BRACKET SITS AROUND THREADED INSERTS IN BEAM

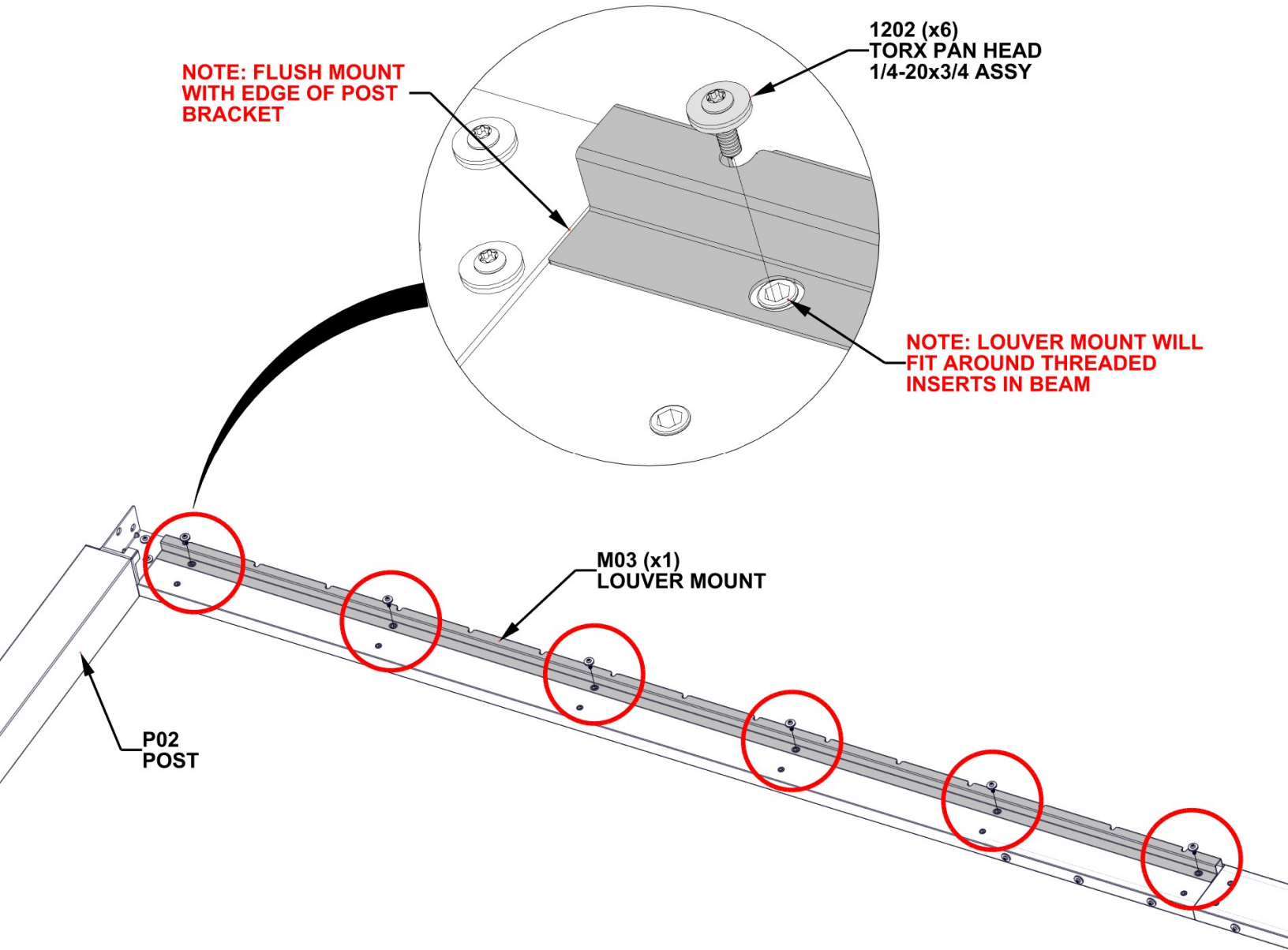


STEP 5- LOUVER MOUNT ATTACHMENT



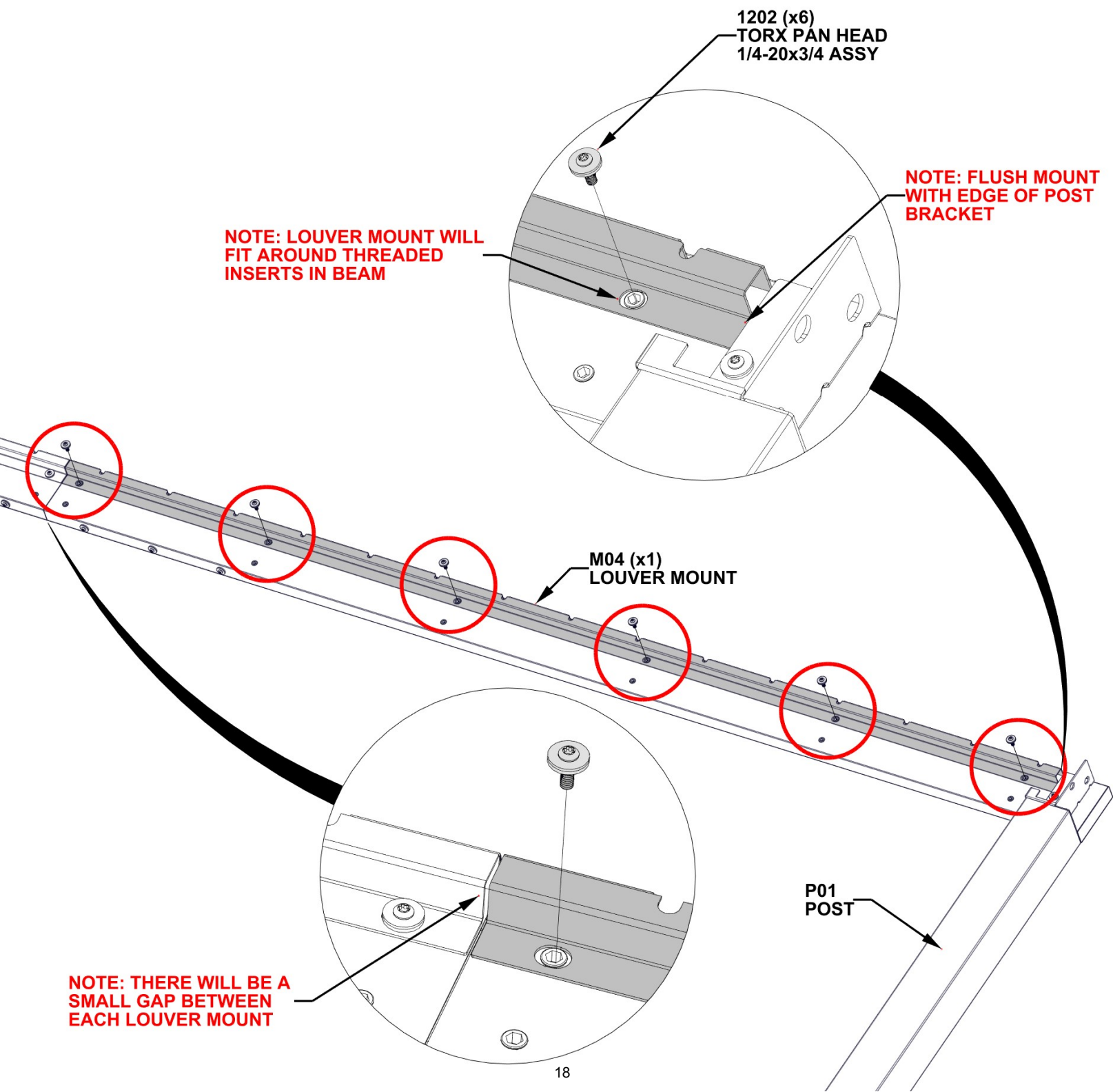
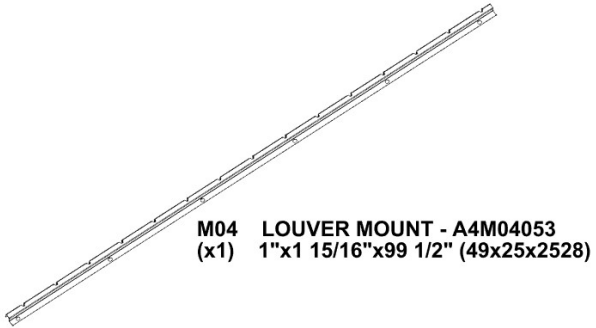
M03 LOUVER MOUNT - A4M04055
(x1) 1"x1 15/16"x99 1/2" (25x49x2528)

QTY	PART NUMBER	DESCRIPTION
6	H101202	TORX PAN HEAD 1/4-20x3/4 ASSY

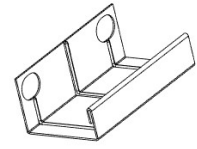
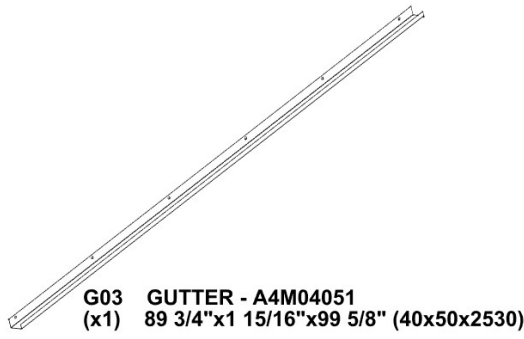
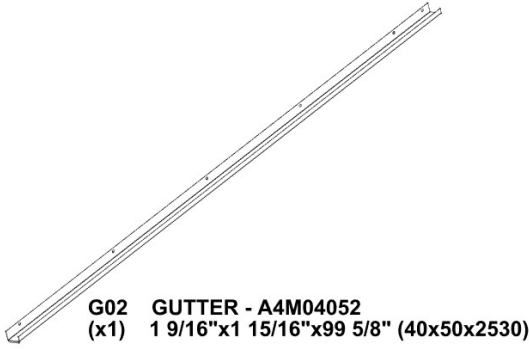


STEP 6- LOUVER MOUNT ATTACHMENT

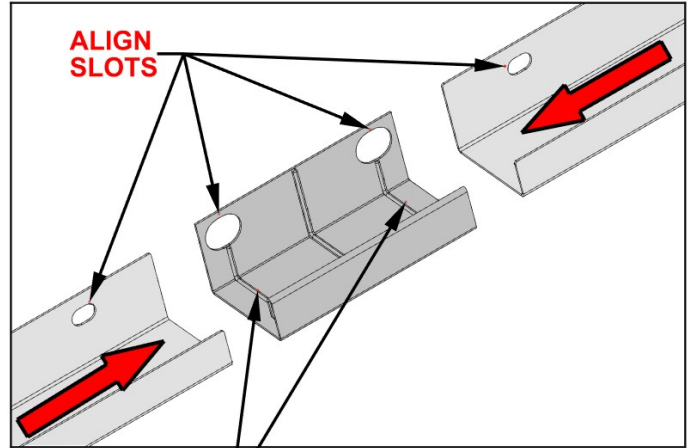
QTY	PART NUMBER	DESCRIPTION
6	H101202	TORX PAN HEAD 1/4-20x3/4 ASSY



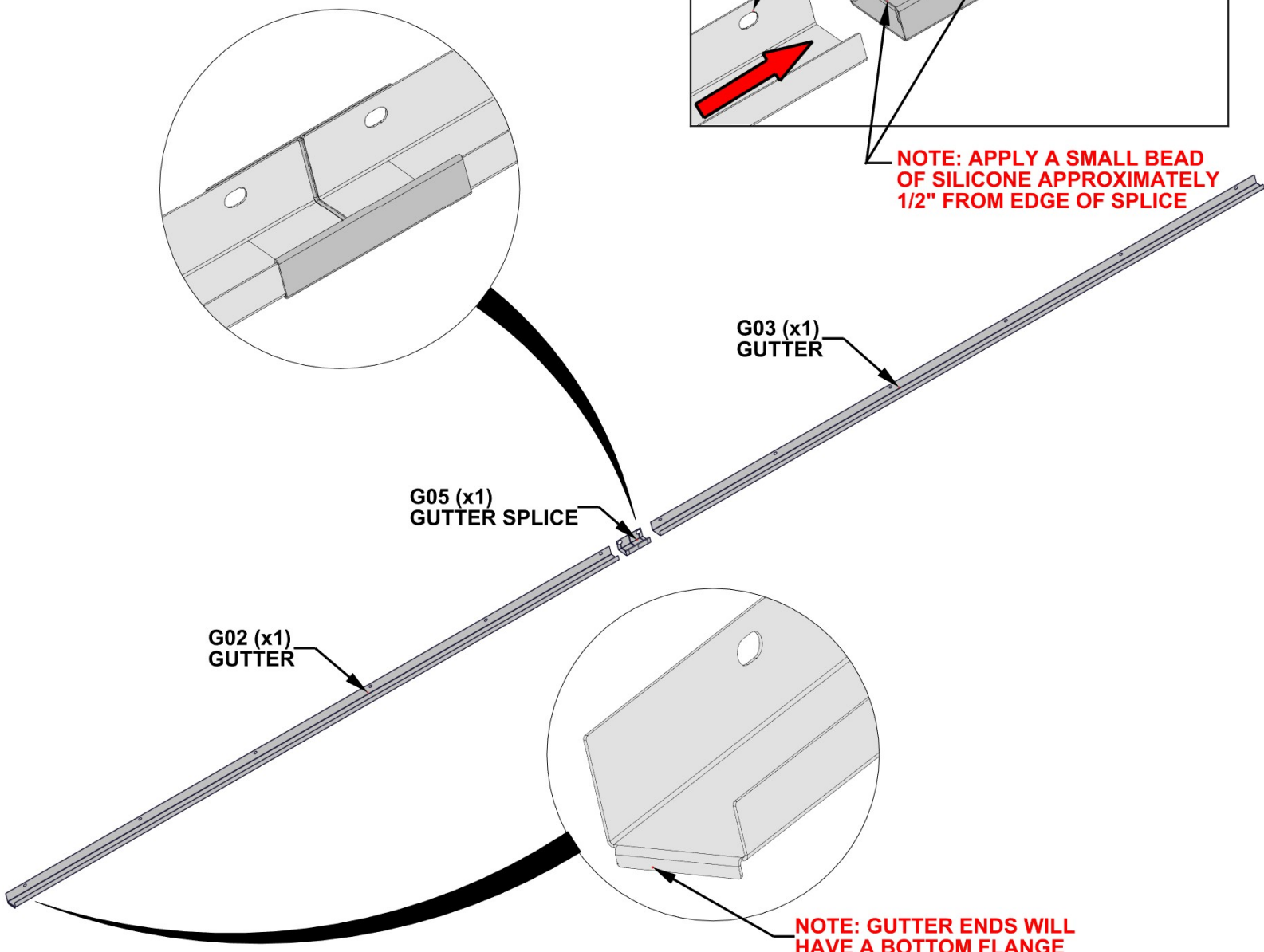
STEP 7A- GUTTER ASSEMBLY



- MEASURE APPROXIMATELY 1/2" [13mm] FROM EACH END OF GUTTER SPLICE AND APPLY A FINE BEAD OF SILICONE.
- SLIDE BOTH G02 & G03 GUTTERS INTO SPLICE UNTIL ENDS ARE ALMOST TOUCHING. WIPE EXCESS SILICONE USING RAG OR PAPER TOWEL.
- GLOVES ARE RECOMMENDED WHEN APPLYING SILICONE.
- MAKE SURE SURFACE OF GUTTER SPLICE IS CLEAN, DRY AND FREE OF ANY DIRT/DEBRIS.

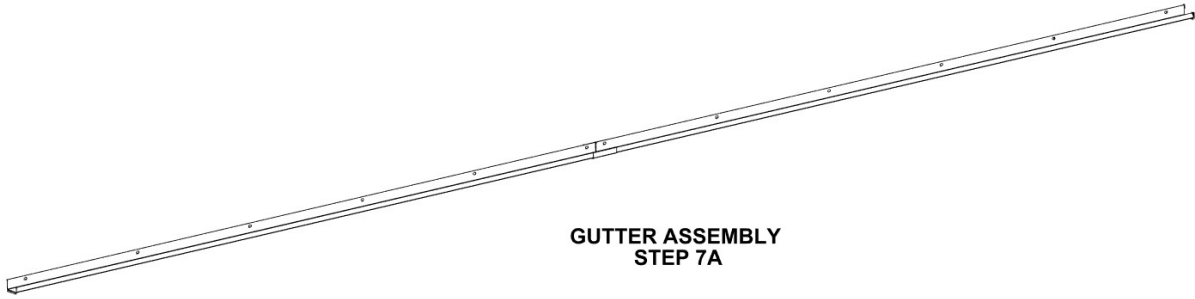


NOTE: APPLY A SMALL BEAD OF SILICONE APPROXIMATELY 1/2" FROM EDGE OF SPLICE



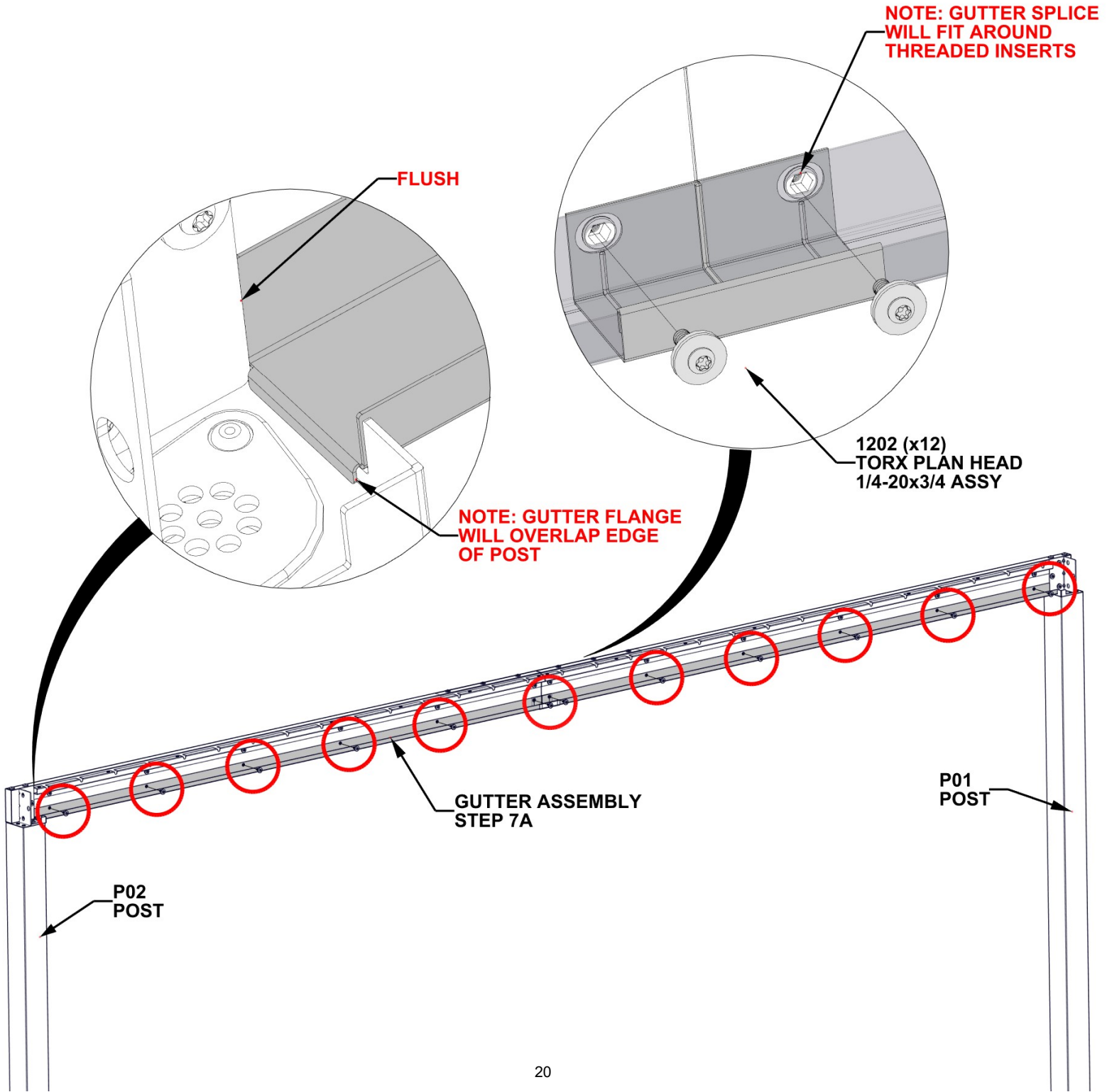
STEP 7B - GUTTER ATTACHMENT

QTY	PART NUMBER	DESCRIPTION
12	H101202	TORX PAN HEAD 1/4-20x3/4 ASSY

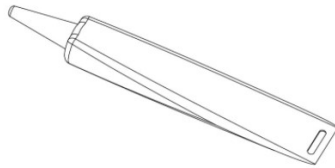


GUTTER ASSEMBLY
STEP 7A

- WITH AT LEAST TWO PEOPLE, ATTACH GUTTER ASSEMBLY FROM PREVIOUS STEP TO BEAM.
- MAKE SURE ENDS OF GUTTER SIT ON TOP SURFACE OF EACH POST BRACKET.

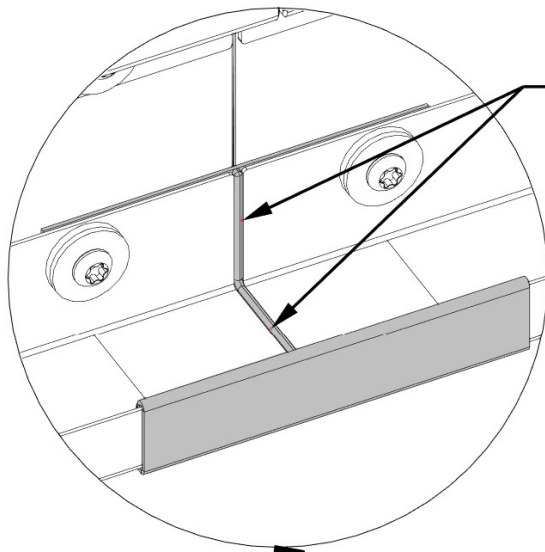


STEP 7C - GUTTER ATTACHMENT

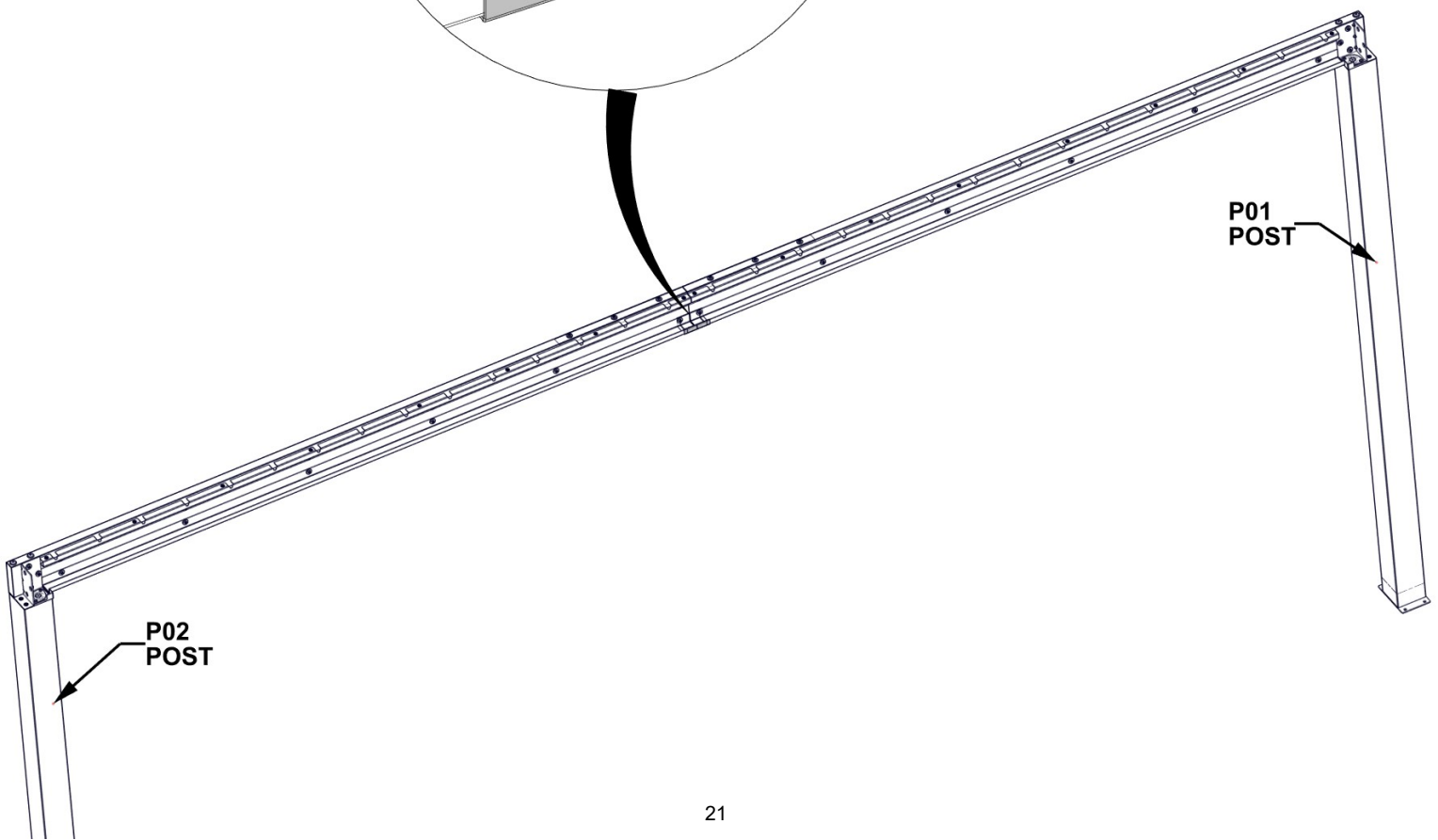


A6P00796 SILICONE
(x1)

- APPLY A FINE BEAD OF SILICONE ALONG INSIDE SURFACE OF GUTTER WHERE TWO GUTTER PIECES MEET.
- SMOOTH SILICONE ALONG SEAM, WIPING EXCESS USING A RAG OR PAPER TOWEL.
- GLOVES ARE RECOMMENDED WHEN APPLYING SILICONE.
- MAKE SURE SURFACE OF GUTTER IS CLEAN, DRY, AND FREE OF ANY DIRT/DEBRIS.

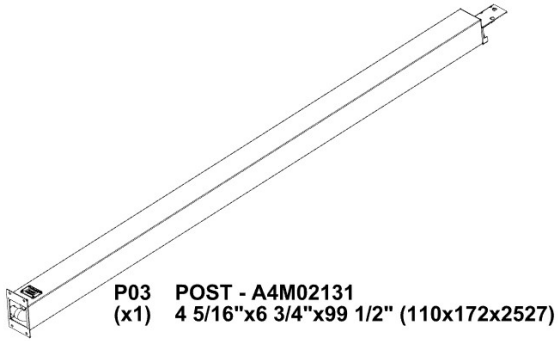


**NOTE: APPLY A FINE BEAD
OF SILICONE ALONG INSIDE
SEAM OF GUTTER**



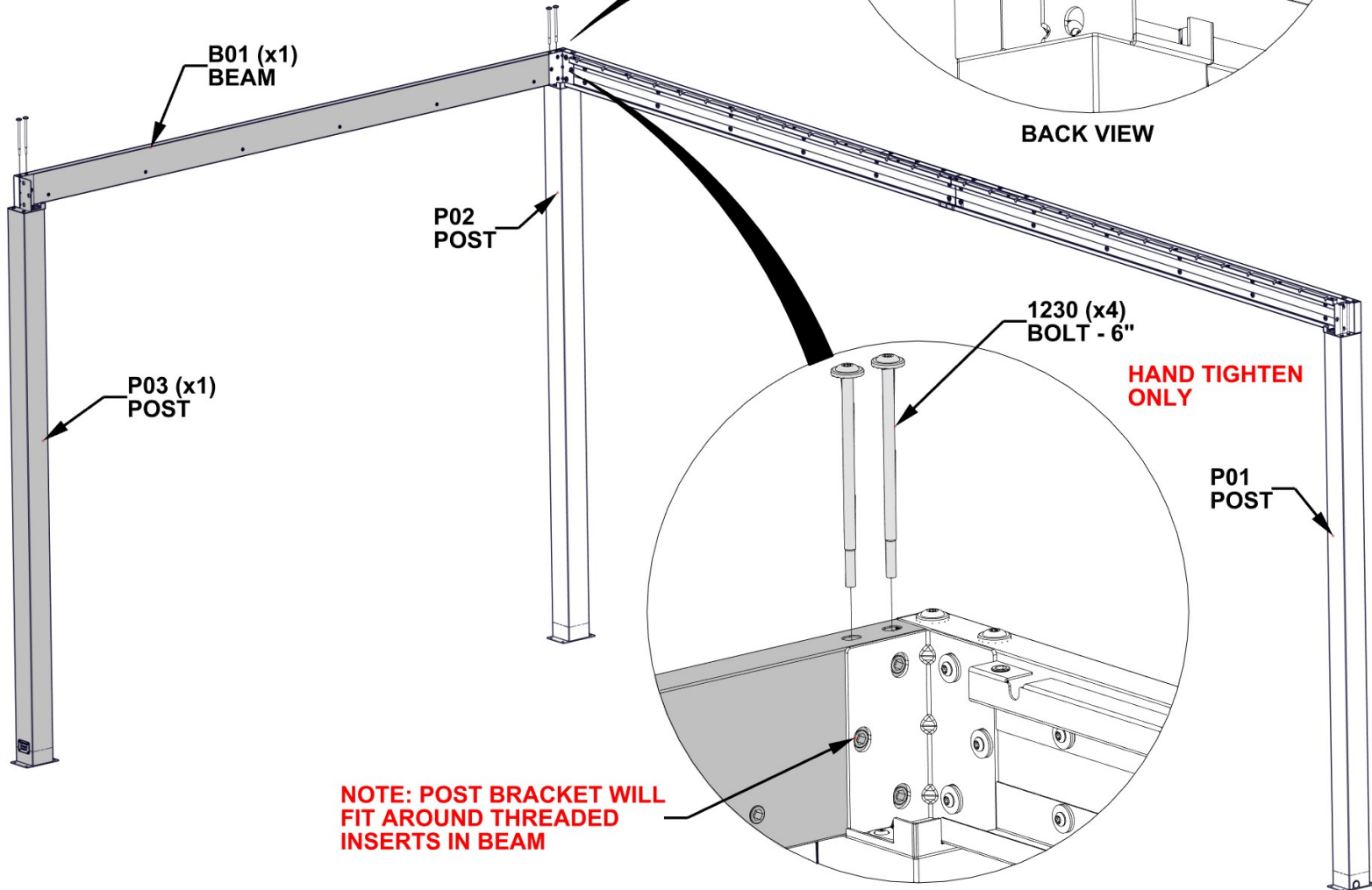
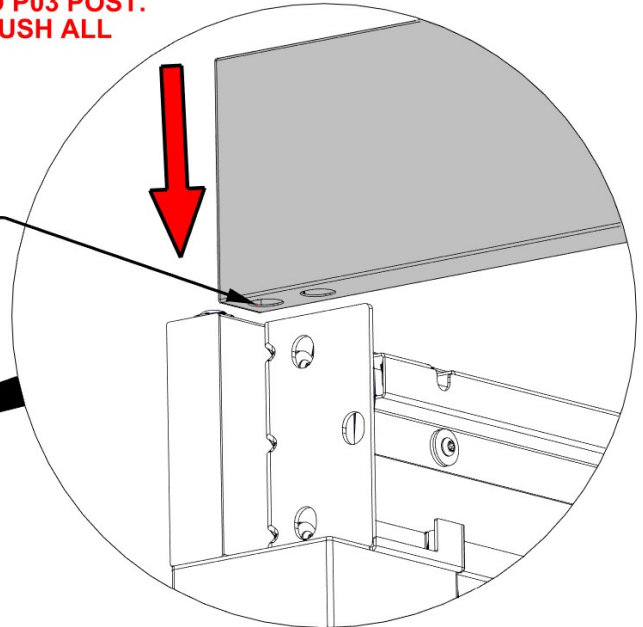
STEP 8A - FRAME ASSEMBLY

QTY	PART NUMBER	DESCRIPTION
4	H101230	BOLT WH 5/16x6 S.S.



- WITH AT LEAST TWO EXTRA PEOPLE, ATTACH B01 BEAM TO P02 AND P03 POST.
- ALIGN SLOTS IN BEAM WITH THREADED INSERTS ON TOP PLATE. FLUSH ALL SIDES OF BEAM AND POST.

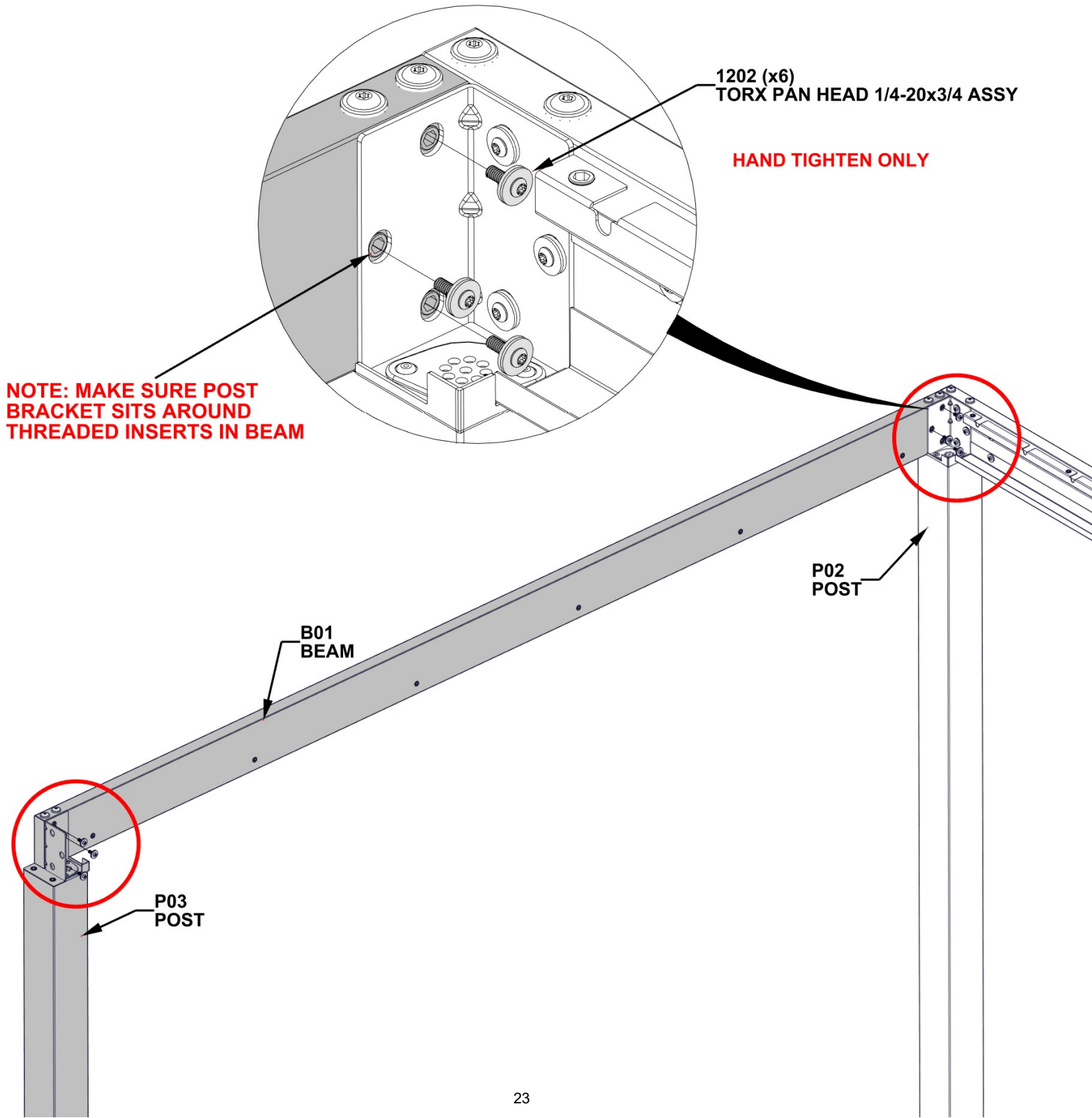
NOTE: LARGE SLOTS INDICATE BOTTOM SURFACE OF BEAM. SLOTS WILL FIT AROUND THREADED INSERTS IN POST PLATE.



NOTE: POST BRACKET WILL FIT AROUND THREADED INSERTS IN BEAM

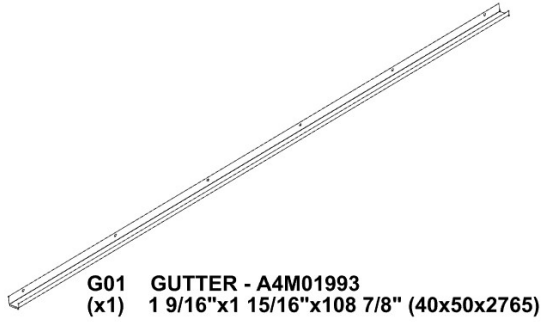
STEP 8B - FRAME ASSEMBLY

QTY	PART NUMBER	DESCRIPTION
6	H101202	TORX PAN HEAD 1/4-20x3/4 ASSY

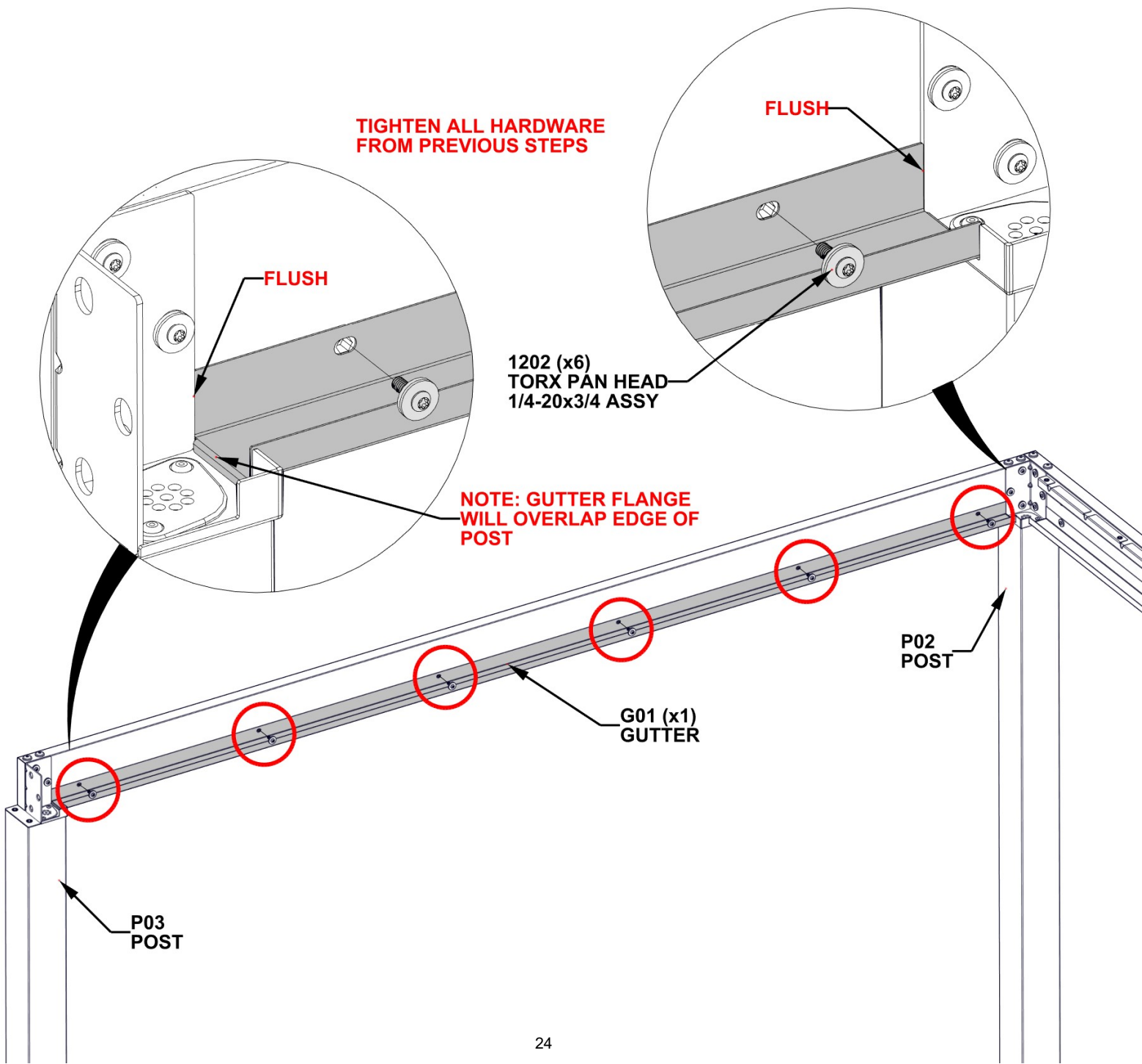


STEP 9 - GUTTER ATTACHMENT

QTY	PART NUMBER	DESCRIPTION
6	H101202	TORX PAN HEAD 1/4-20x3/4 ASSY

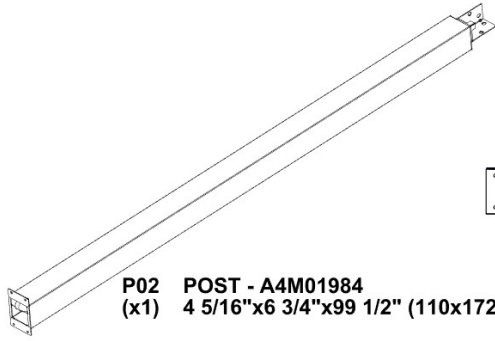


- WITH AN ADDITIONAL PERSON, ATTACH GUTTER TO BEAM. MAKE SURE ENDS OF GUTTER SIT ON TOP SURFACE OF EACH POST BRACKET.



STEP 10A - FRAME ASSEMBLY

QTY	PART NUMBER	DESCRIPTION
4	H101230	BOLT WH 5/16x6 S.S.



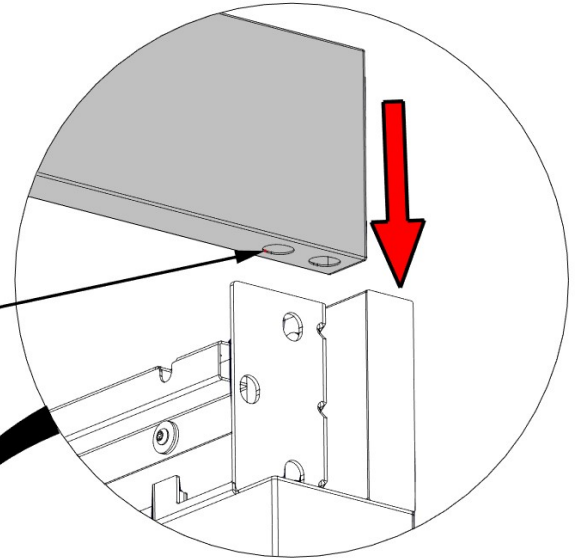
P02 POST - A4M01984
(x1) 4 5/16"x6 3/4"x99 1/2" (110x172x2527)



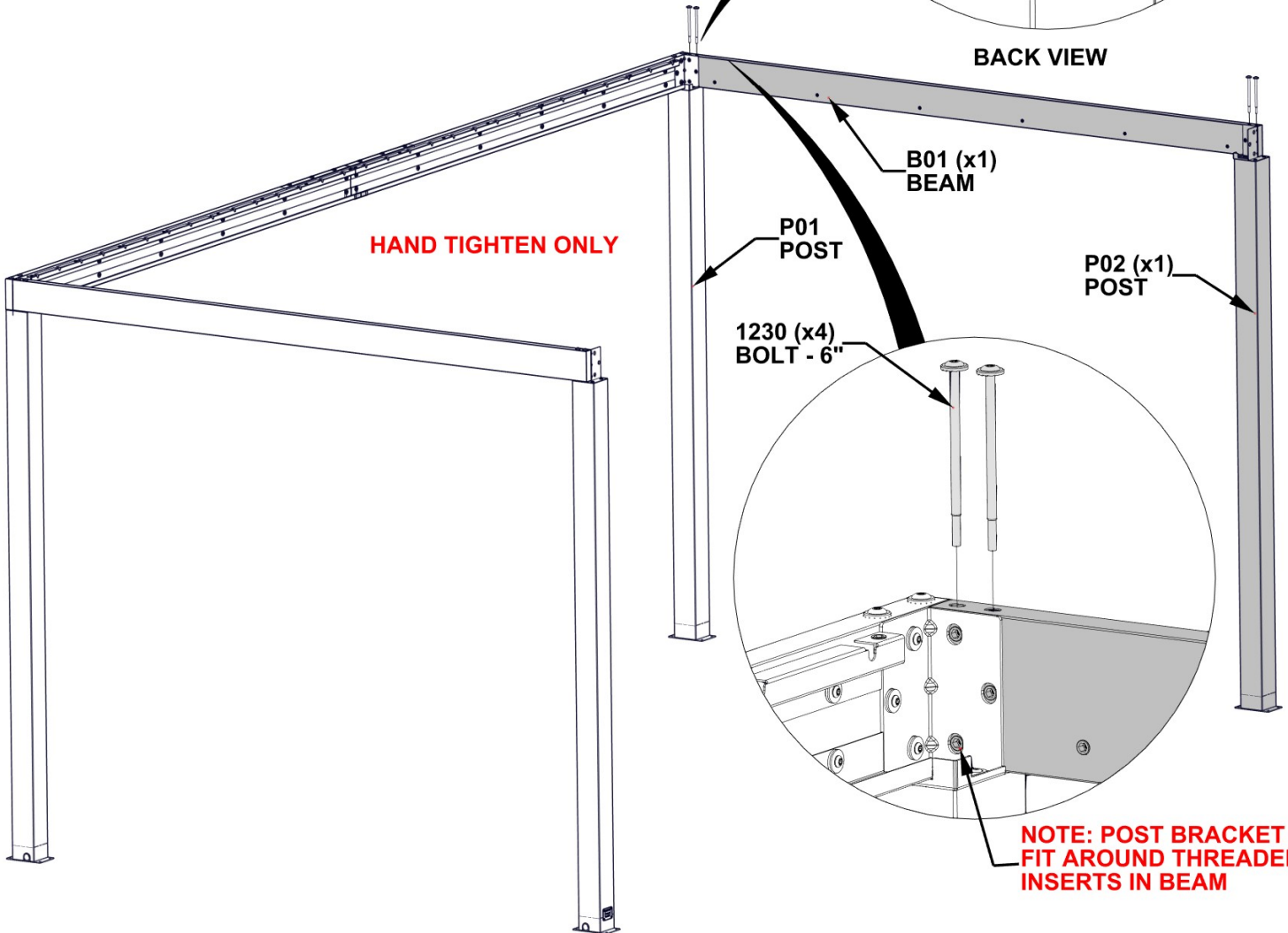
B01 BEAM - A4M01986
(x1) 1 7/16"x5 1/4"x114 1/2" (36x134x2910)

- WITH AT LEAST TWO EXTRA PEOPLE, ATTACH B01 BEAM TO P02.
- ALIGN SLOTS IN BEAM WITH THREADED INSERTS ON TOP PLATE.
- FLUSH ALL SIDES OF BEAM AND POST.

**NOTE: LARGE SLOTS INDICATE
BOTTOM SURFACE OF BEAM.
SLOTS WILL FIT AROUND THREADED
INSERTS IN POST PLATE**



BACK VIEW



HAND TIGHTEN ONLY

**NOTE: POST BRACKET WILL
FIT AROUND THREADED
INSERTS IN BEAM**

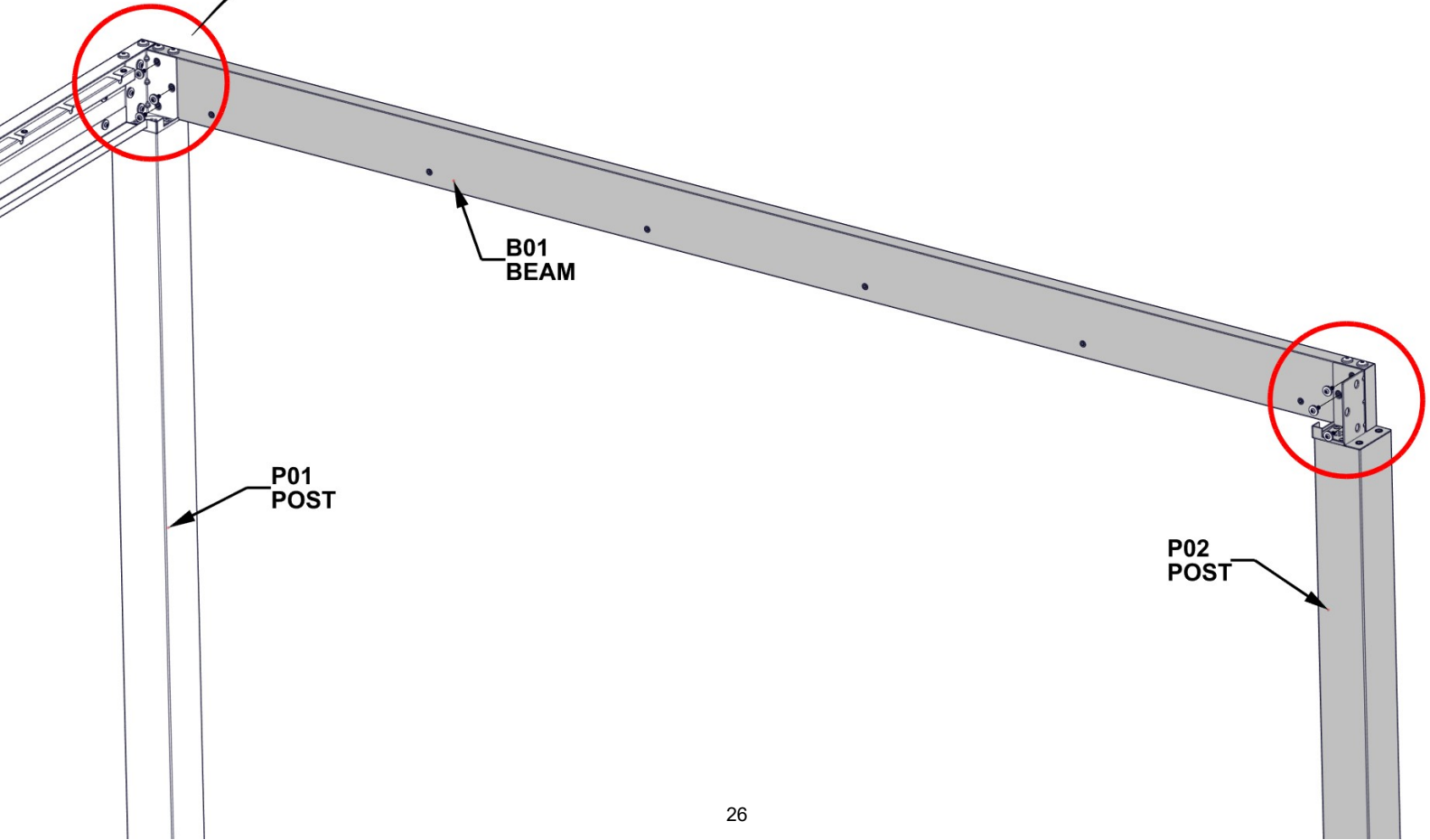
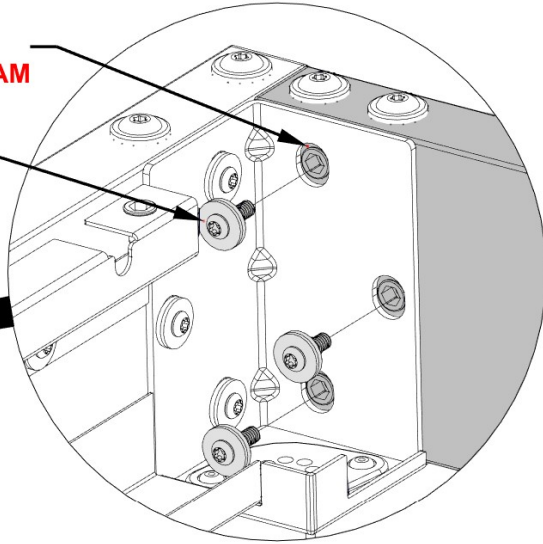
STEP 10B - FRAME ASSEMBLY

QTY	PART NUMBER	DESCRIPTION
6	H101202	TORX PAN HEAD 1/4-20x3/4 ASSY

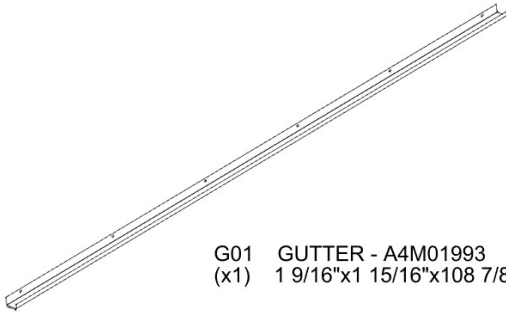
NOTE: MAKE SURE POST BRACKET SITS AROUND THREADED INSERTS IN BEAM

**1202 (x6)
TORX PAN HEAD
1/4-20x3/4 ASSY**

HAND TIGHTEN ONLY



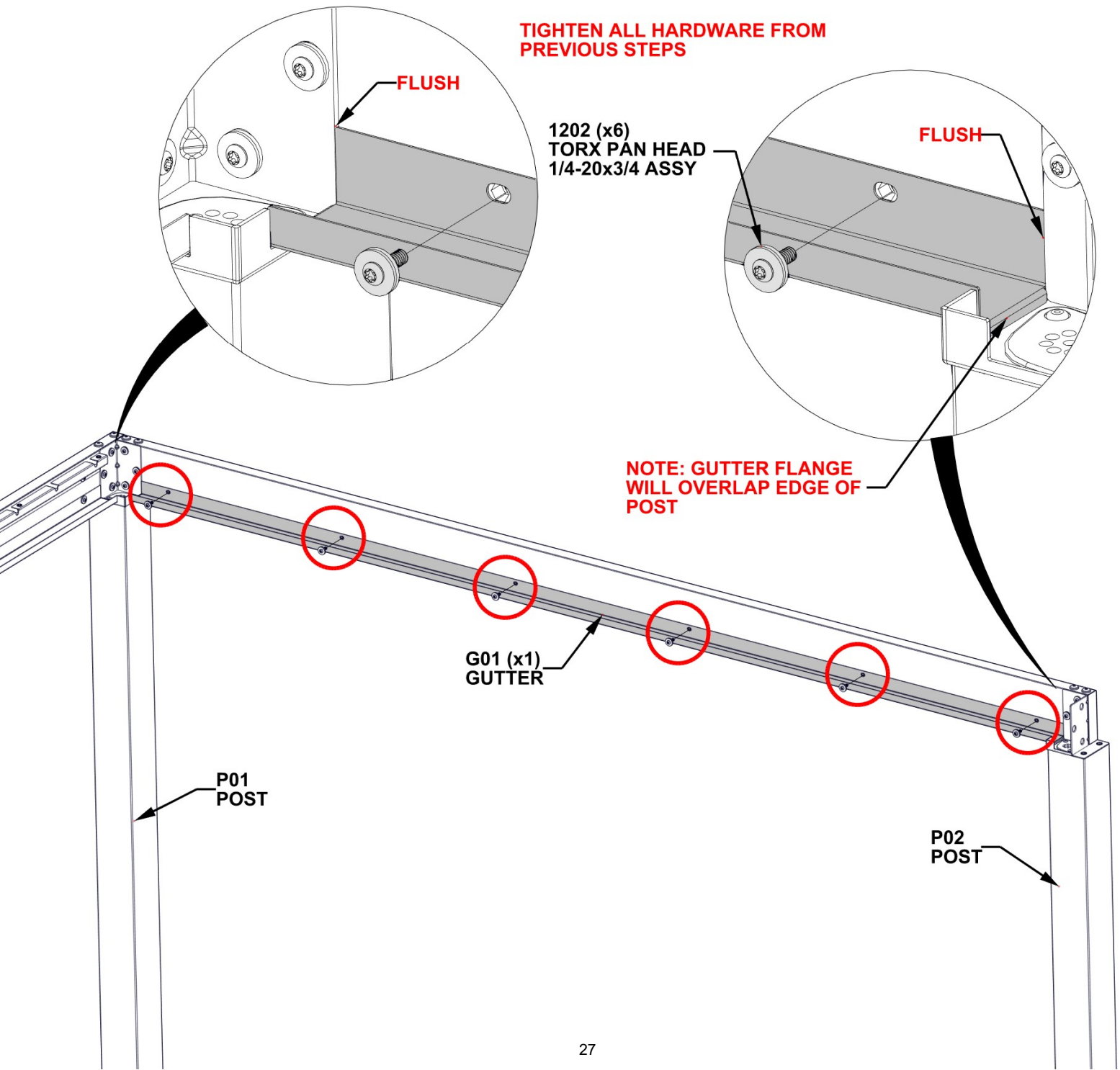
STEP 11 - GUTTER ATTACHMENT



G01 GUTTER - A4M01993
 (x1) 1 9/16"x1 15/16"x108 7/8" (40x50x2765)

QTY	PART NUMBER	DESCRIPTION
6	H101202	TORX PAN HEAD 1/4-20x3/4 ASSY

- WITH AN ADDITIONAL PERSON, ATTACH GUTTER TO BEAM. MAKE SURE ENDS OF GUTTER SIT ON TOP SURFACE OF EACH POST BRACKET.



STEP 12 - BEAM ASSEMBLY

QTY	PART NUMBER	DESCRIPTION
6	H101202	TORX PAN HEAD 1/4-20x3/4 ASSY

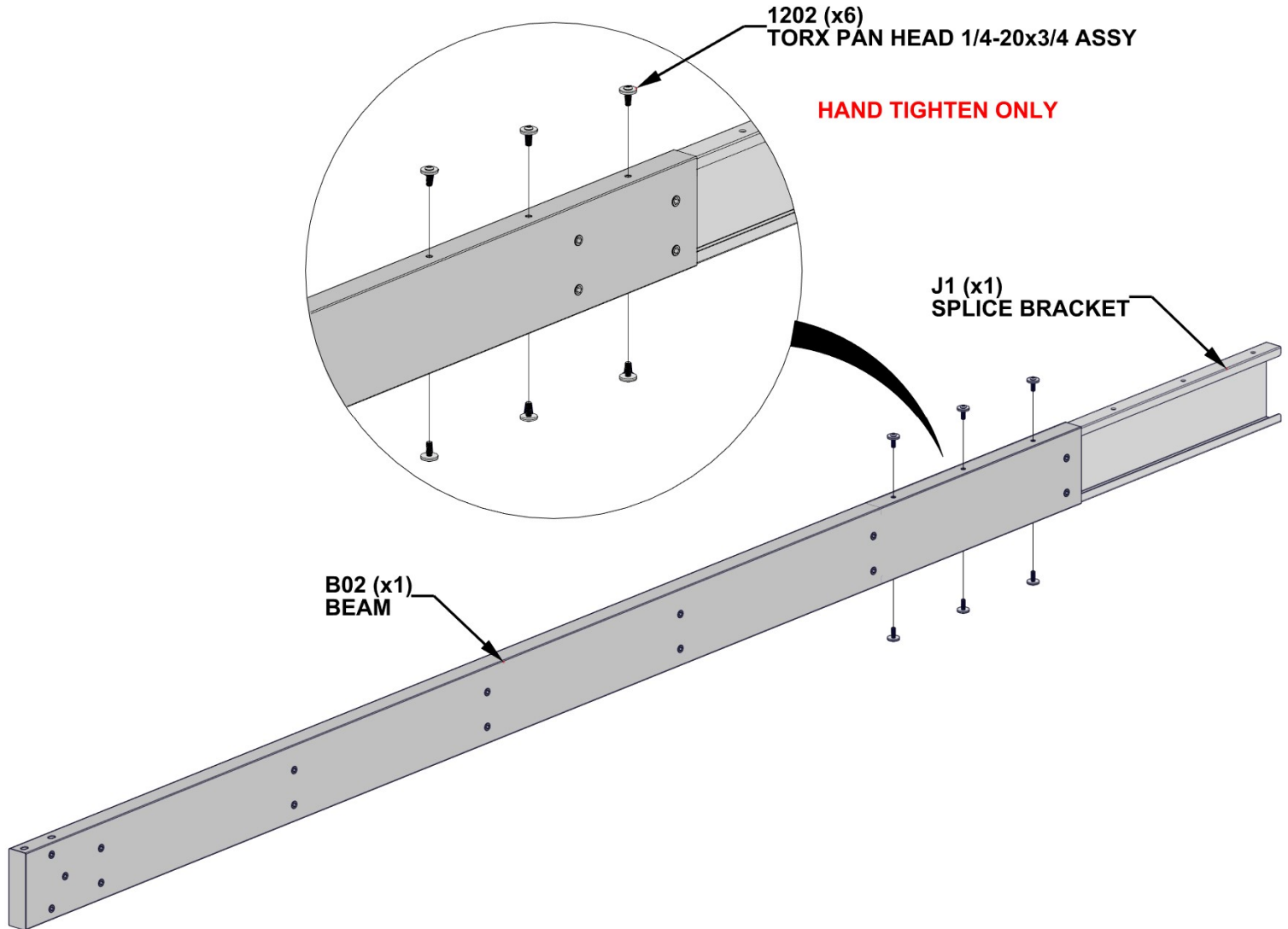


B02 BEAM - A4M04049
 (x1) 1 7/16"x5 1/4"x103 7/8" (36x134x2639)



J1 SPLICE BRACKET - A4M02230
 (x1) 1 5/16"x5 3/16"x39 3/8" (33.2x131.2x1000)

- BEAM AND SPLICE MUST BE ORIENTED AS SHOWN BELOW. SLIDE J1 INTO B02 AND LINE UP THREE HOLES TOP AND BOTTOM.



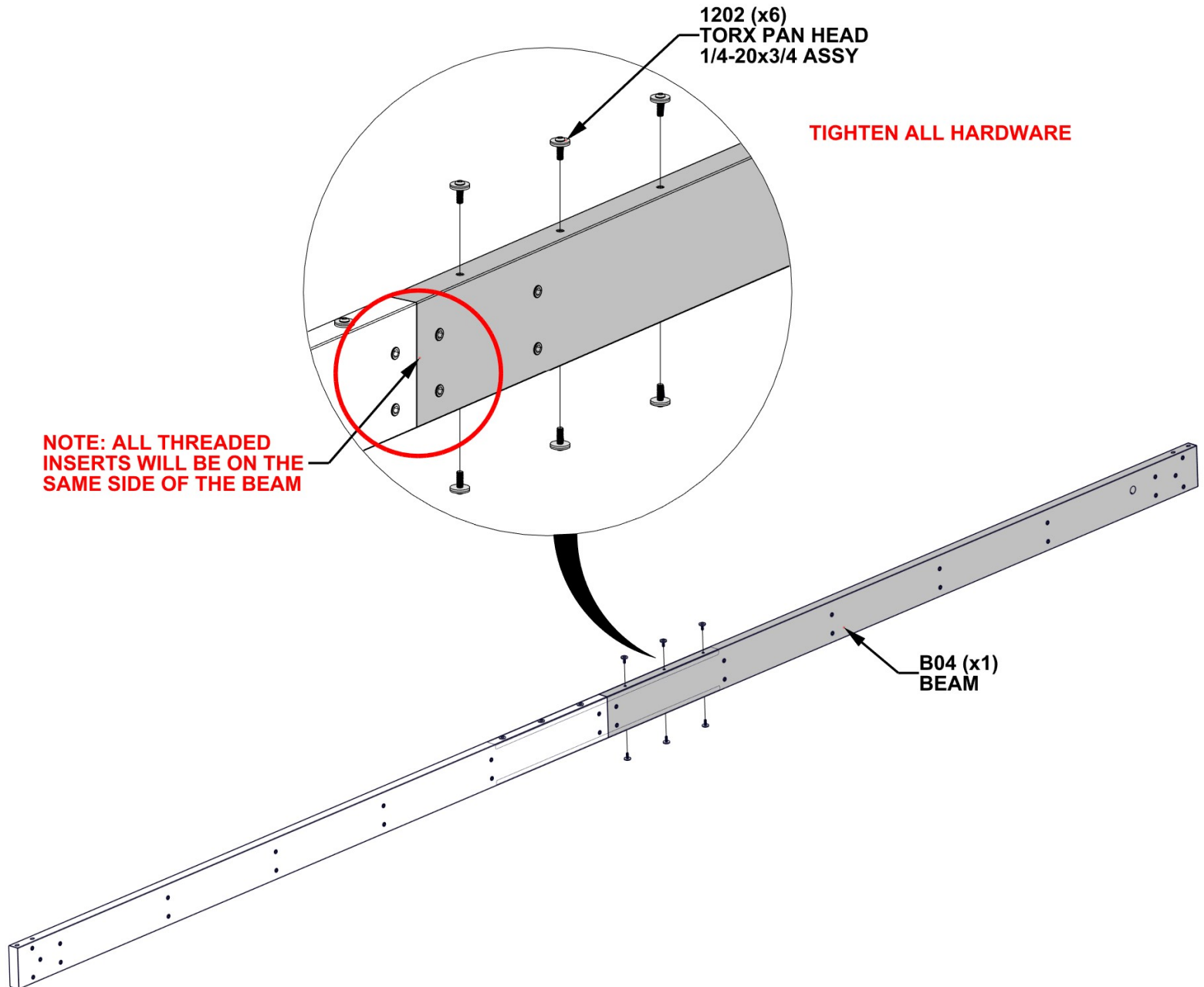
STEP 13 - BEAM ASSEMBLY

QTY	PART NUMBER	DESCRIPTION
6	H101202	TORX PAN HEAD 1/4-20x3/4 ASSY



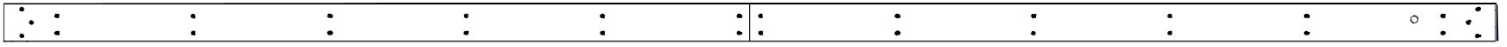
B04 BEAM - A4M04048
(x1) 1 7/16"x5 1/4"x103 7/8" (36x134x2639)

- SLIDE B04 INTO SPLICE BRACKET. GENTLY TAP ENDS OF ASSEMBLY WITH RUBBER Mallet UNTIL GAP CLOSES, THEN TIGHTEN ALL BOLTS ON BEAM.



STEP 14A - FRAME ASSEMBLY

QTY	PART NUMBER	DESCRIPTION
4	H101230	BOLT WH 5/16x6 S.S.

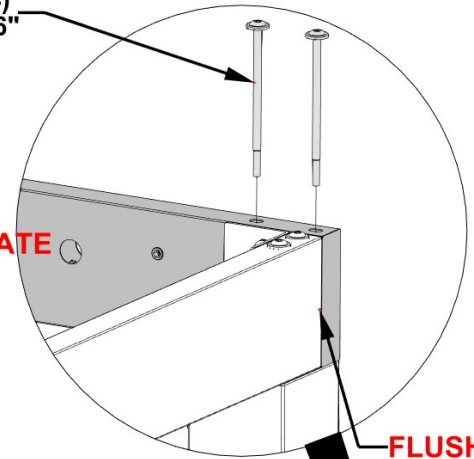


BEAM ASSEMBLY
STEP 13

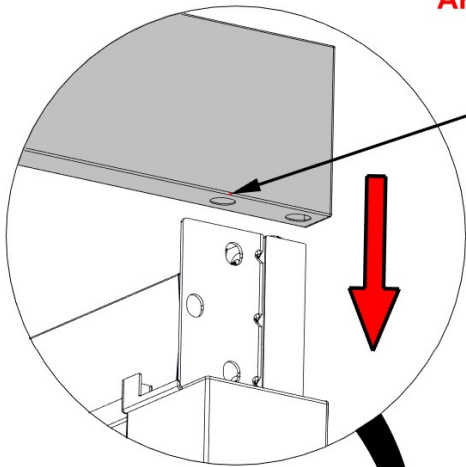
- WITH AT LEAST TWO EXTRA PEOPLE, ATTACH BEAM ASSEMBLY FROM PREVIOUS STEPS TO P02 AND P03 POST.
- ALIGN SLOTS IN BEAM WITH THREADED INSERTS ON TOP PLATE.
- FLUSH ALL SIDES OF BEAM AND POST.
- DO NOT TIGHTEN HARDWARE AT THIS STEP.

NOTE: LARGE SLOTS INDICATE BOTTOM SURFACE OF BEAM. SLOTS WILL FIT AROUND THREADED INSERTS IN POST PLATE

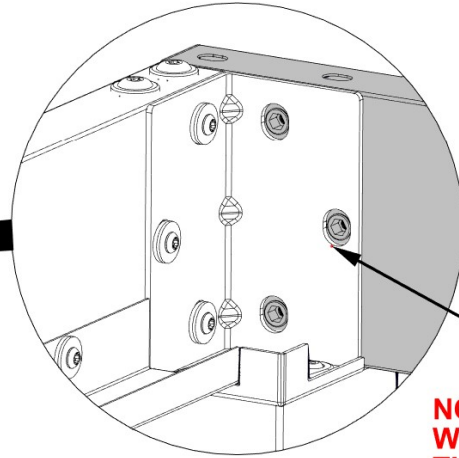
1230 (x4)
BOLT - 6"



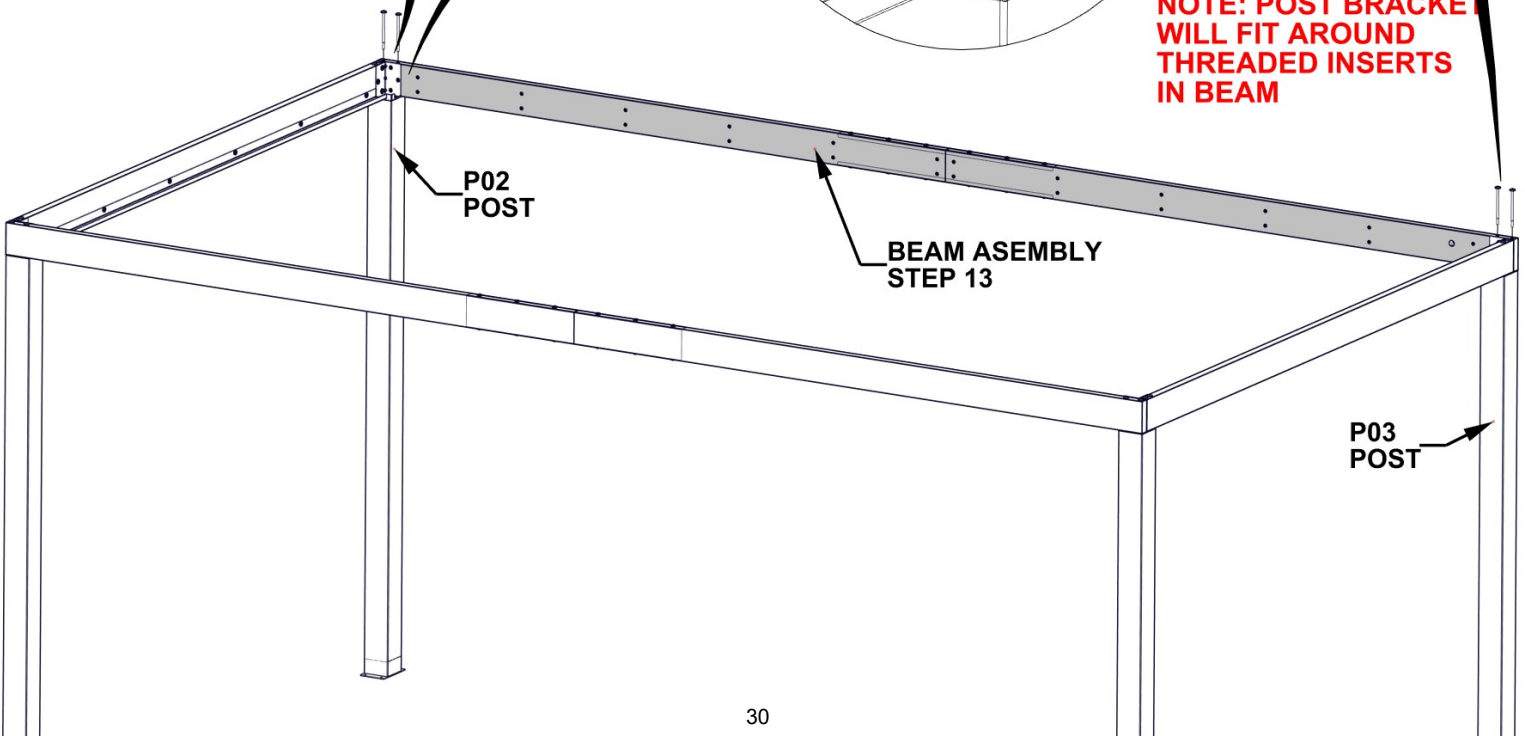
FLUSH



BACK VIEW



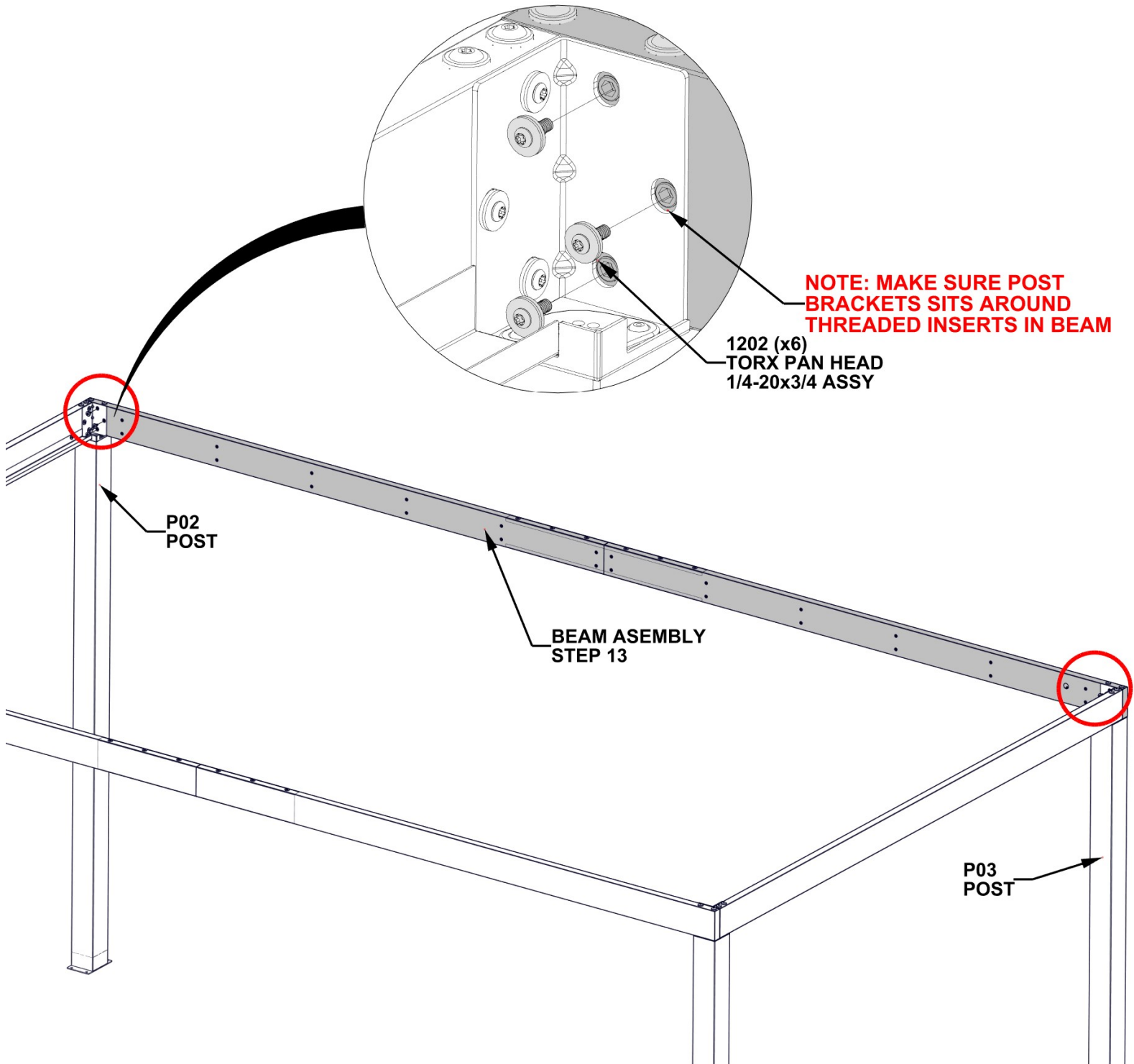
NOTE: POST BRACKET WILL FIT AROUND THREADED INSERTS IN BEAM



STEP 14B - FRAME ASSEMBLY

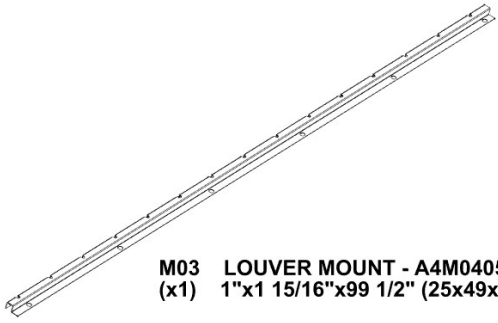
QTY	PART NUMBER	DESCRIPTION
6	H101202	TORX PAN HEAD 1/4-20x3/4 ASSY

- TIGHTEN ALL HARDWARE FROM PREVIOUS STEPS.



STEP 15 - LOUVER MOUNT ATTACHMENT

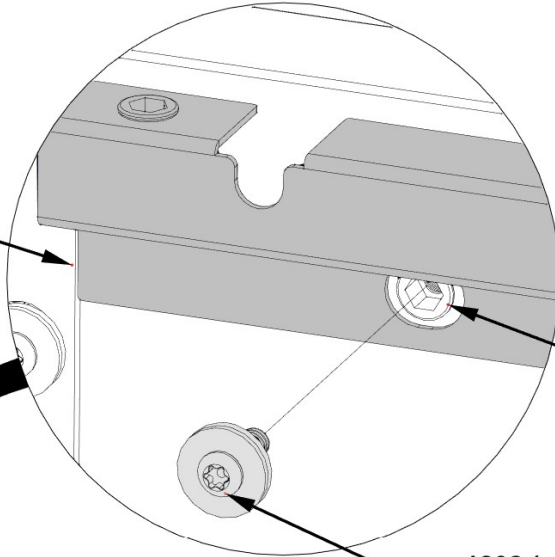
QTY	PART NUMBER	DESCRIPTION
6	H101202	TORX PAN HEAD 1/4-20x3/4 ASSY



M03 LOUVER MOUNT - A4M04055
 (x1) 1"x1 15/16"x99 1/2" (25x49x2528)

NOTE: FLUSH MOUNT WITH EDGE OF POST BRACKET

NOTE: LOUVER MOUNT WILL FIT AROUND THREADED INSERTS IN BEAM



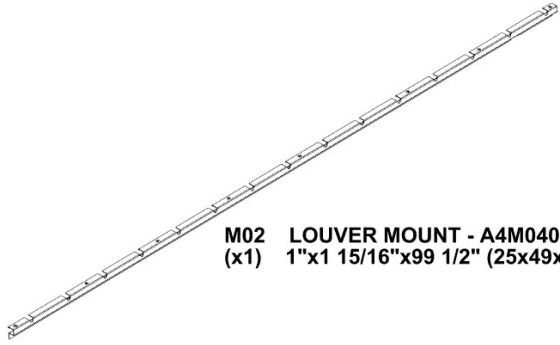
1202 (x6)
TORX PAN HEAD
1/4-20x3/4 ASSY

M03 (x1)
LOUVER MOUNT

P02
POST

STEP 16 - LOUVER MOUNT ATTACHMENT

QTY	PART NUMBER	DESCRIPTION
6	H101202	TORX PAN HEAD 1/4-20x3/4 ASSY



M02 LOUVER MOUNT - A4M04054
(x1) 1"x1 15/16"x99 1/2" (25x49x2528)

NOTE: FLUSH MOUNT WITH EDGE OF POST BRACKET

NOTE: ALIGN NOTCH IN LOUVER MOUNT WITH THRU HOLE IN BEAM

NOTE: LOUVER MOUNT WILL FIT AROUND THREADED INSERTS IN BEAM

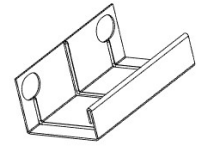
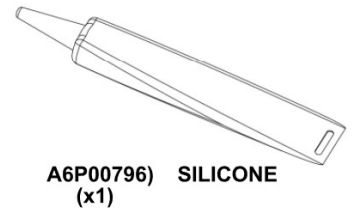
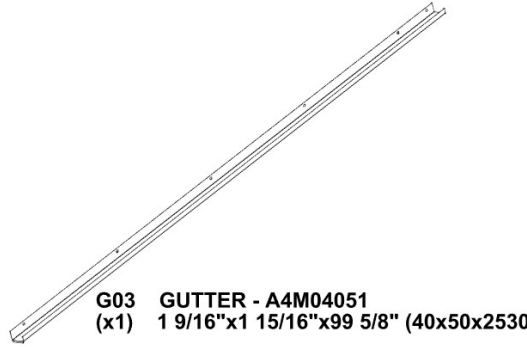
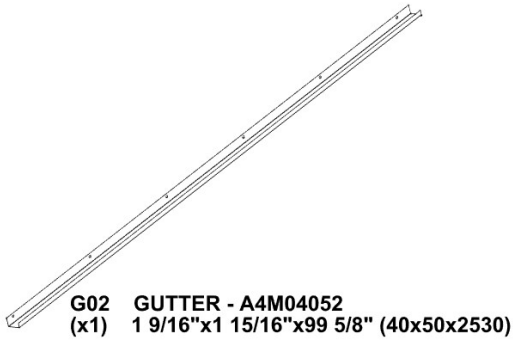
1202 (x6)
TORX PAN HEAD
1/4-20x3/4 ASSY

M02 (x1)
LOUVER MOUNT

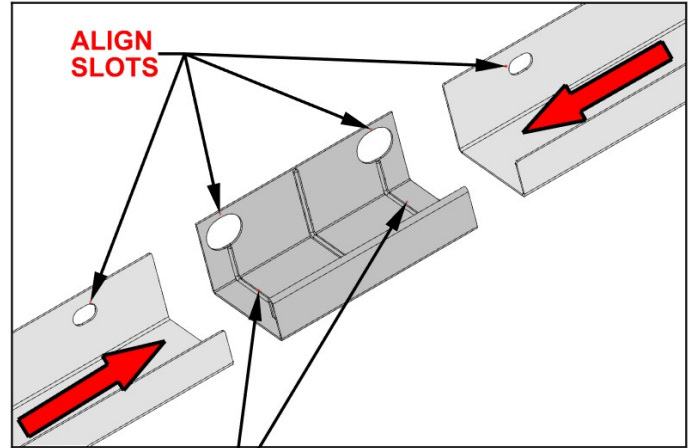
P03
POST

NOTE: THERE WILL BE A SMALL GAP BETWEEN EACH LOUVER MOUNT

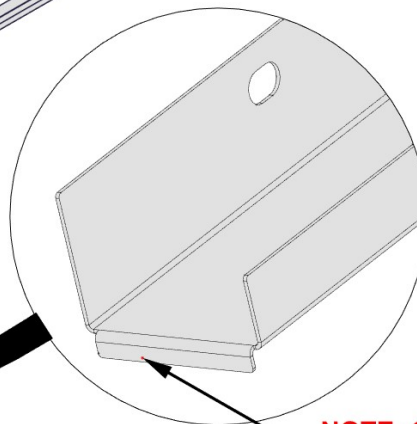
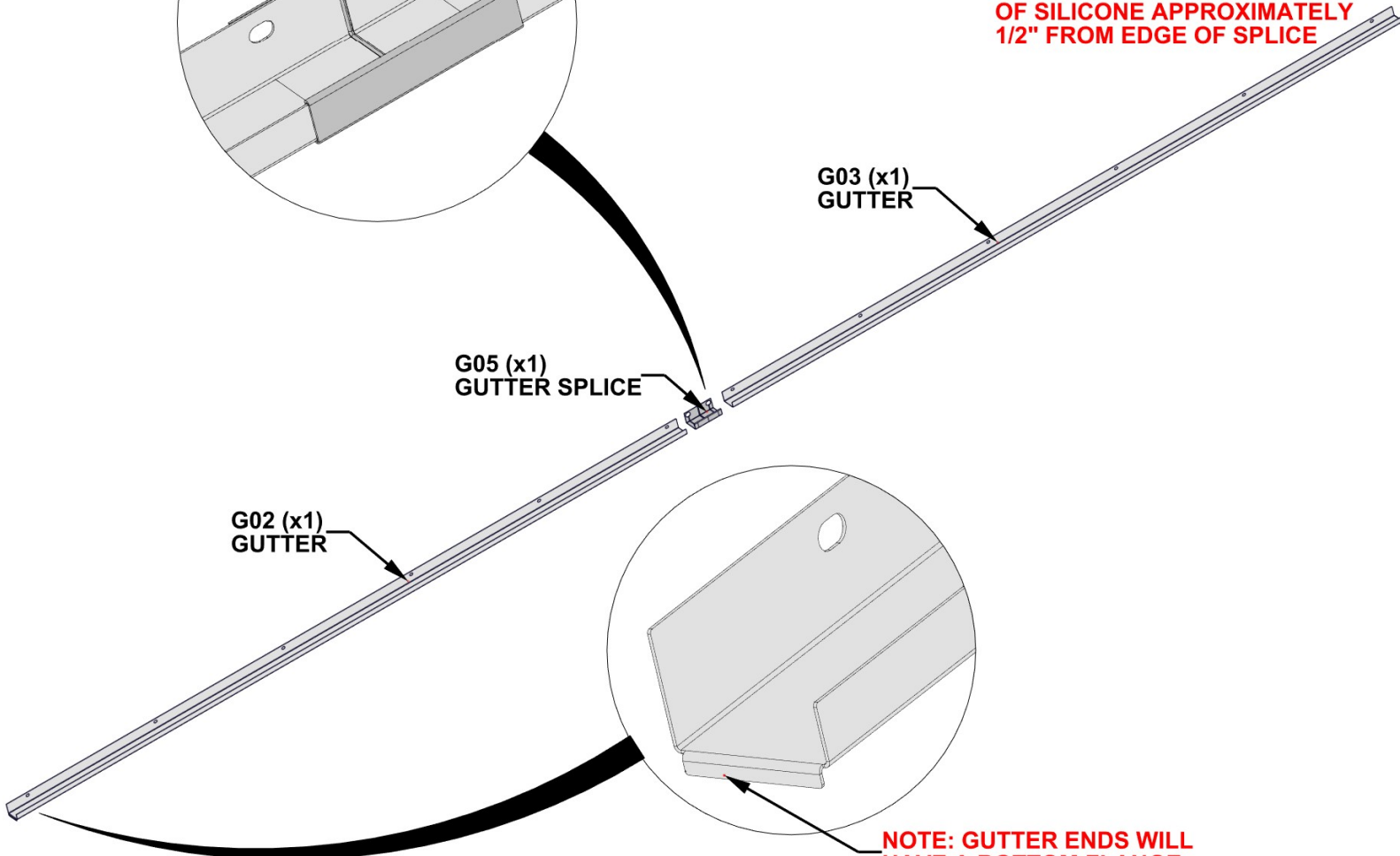
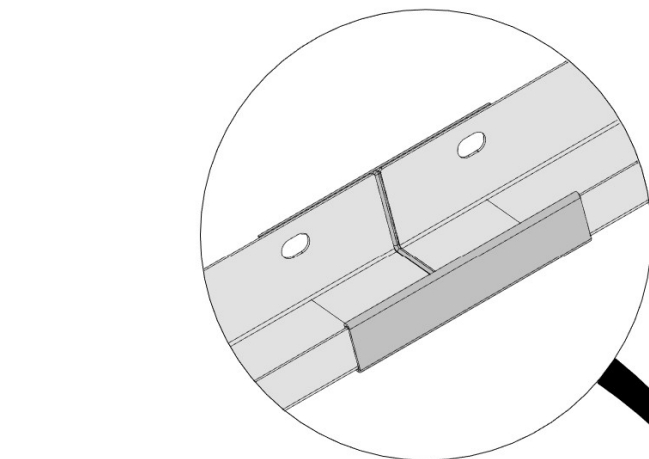
STEP 17A- GUTTER ASSEMBLY



- MEASURE APPROXIMATELY 1/2" [13mm] FROM EACH END OF GUTTER SPLICE AND APPLY A FINE BEAD OF SILICONE.
- SLIDE BOTH G02 & G03 GUTTERS INTO SPLICE UNTIL ENDS ARE ALMOST TOUCHING. WIPE EXCESS SILICONE USING RAG OR PAPER TOWEL.
- GLOVES ARE RECOMMENDED WHEN APPLYING SILICONE.
- MAKE SURE SURFACE OF GUTTER SPLICE IS CLEAN, DRY AND FREE OF ANY DIRT/DEBRIS.



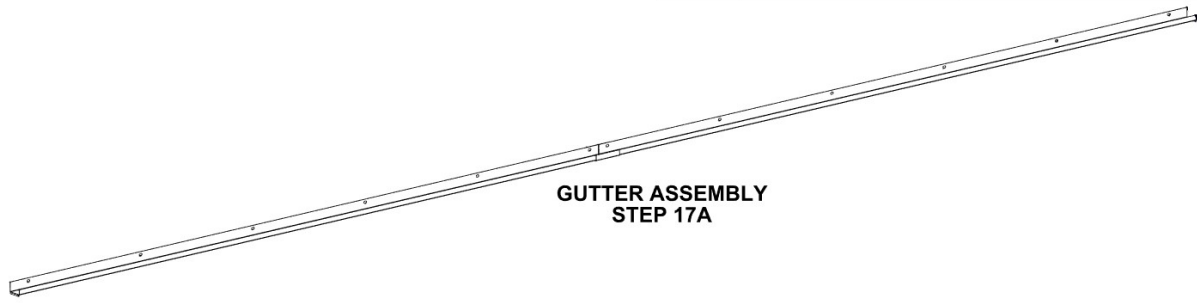
NOTE: APPLY A SMALL BEAD OF SILICONE APPROXIMATELY 1/2" FROM EDGE OF SPLICE



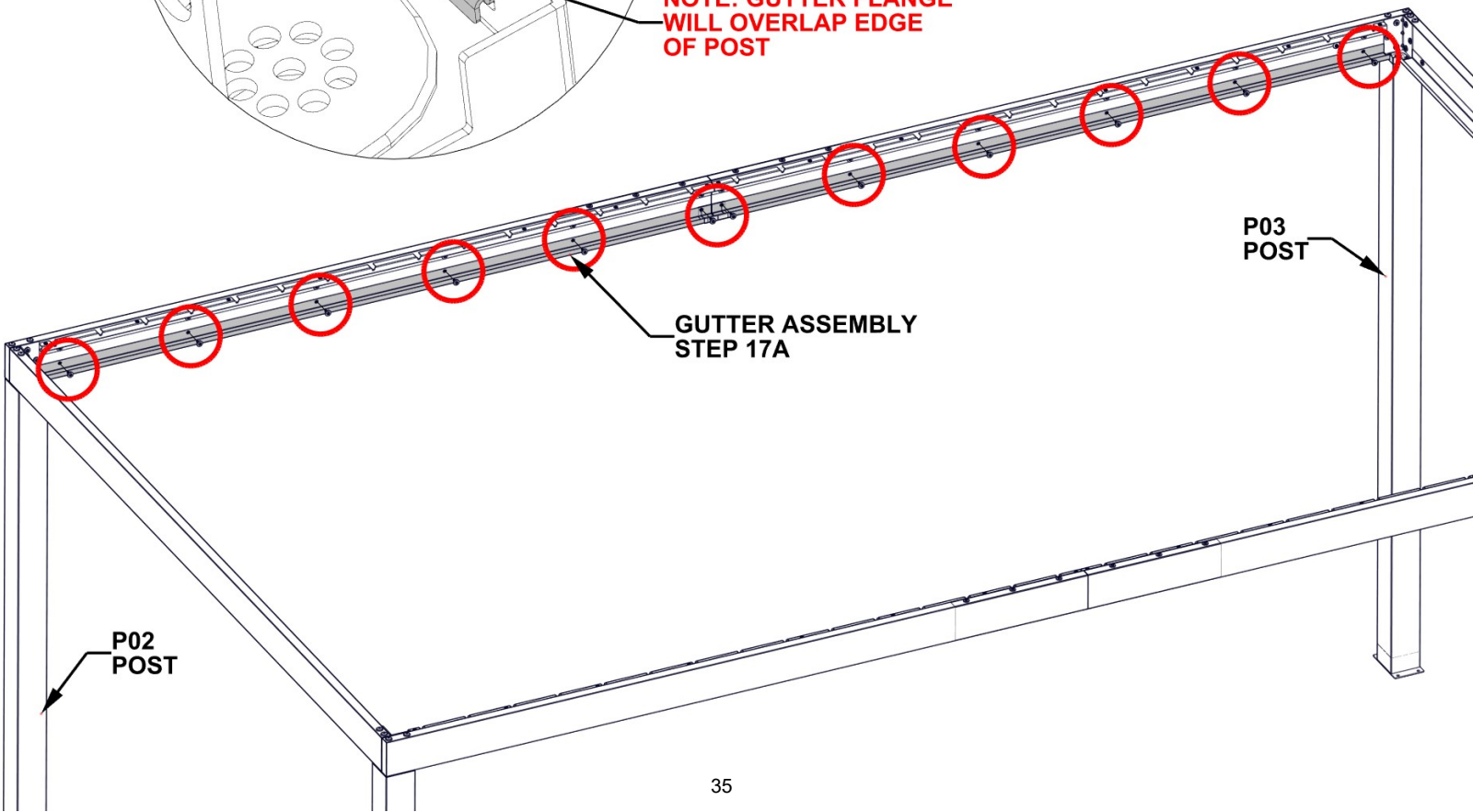
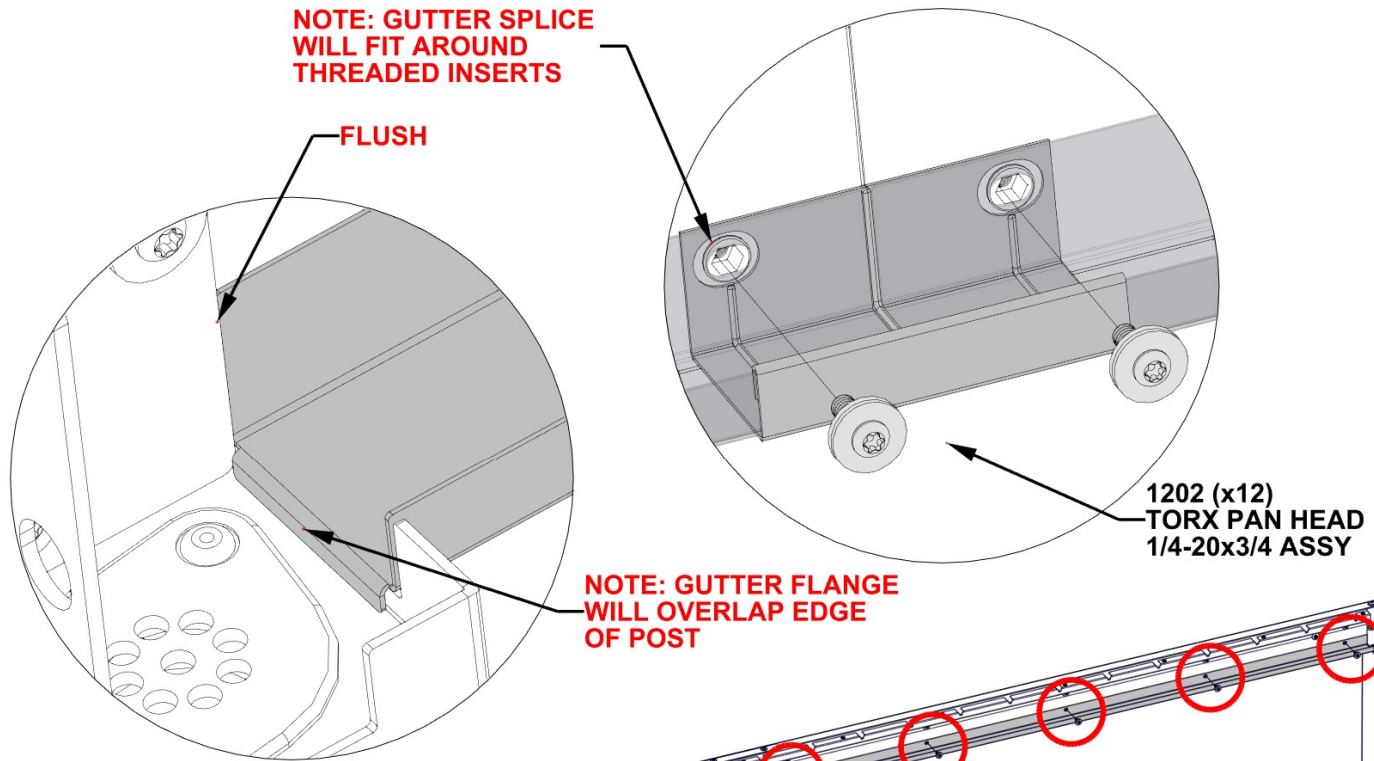
NOTE: GUTTER ENDS WILL HAVE A BOTTOM FLANGE

STEP 17B - GUTTER ASSEMBLY

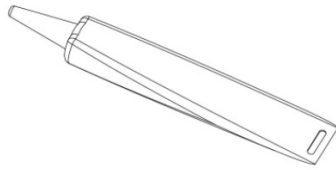
QTY	PART NUMBER	DESCRIPTION
12	H101202	TORX PAN HEAD 1/4-20x3/4 ASSY



- WITH AT LEAST TWO PEOPLE, ATTACH GUTTER ASSEMBLY FROM PREVIOUS STEP TO BEAM.
- MAKE SURE ENDS OF GUTTER SIT ON TOP SURFACE OF EACH POST BRACKET.

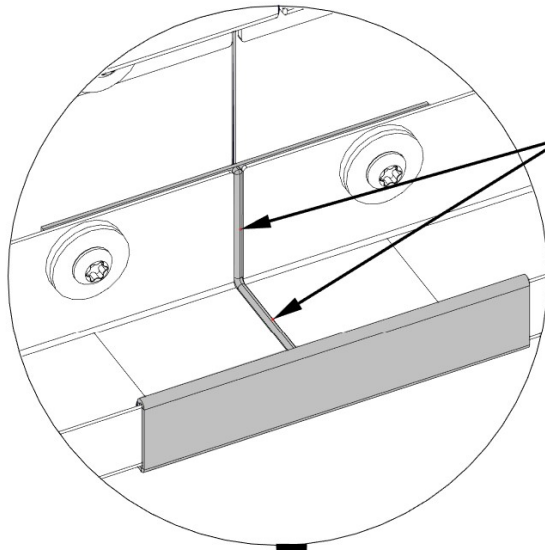


STEP 17C - GUTTER ASSEMBLY

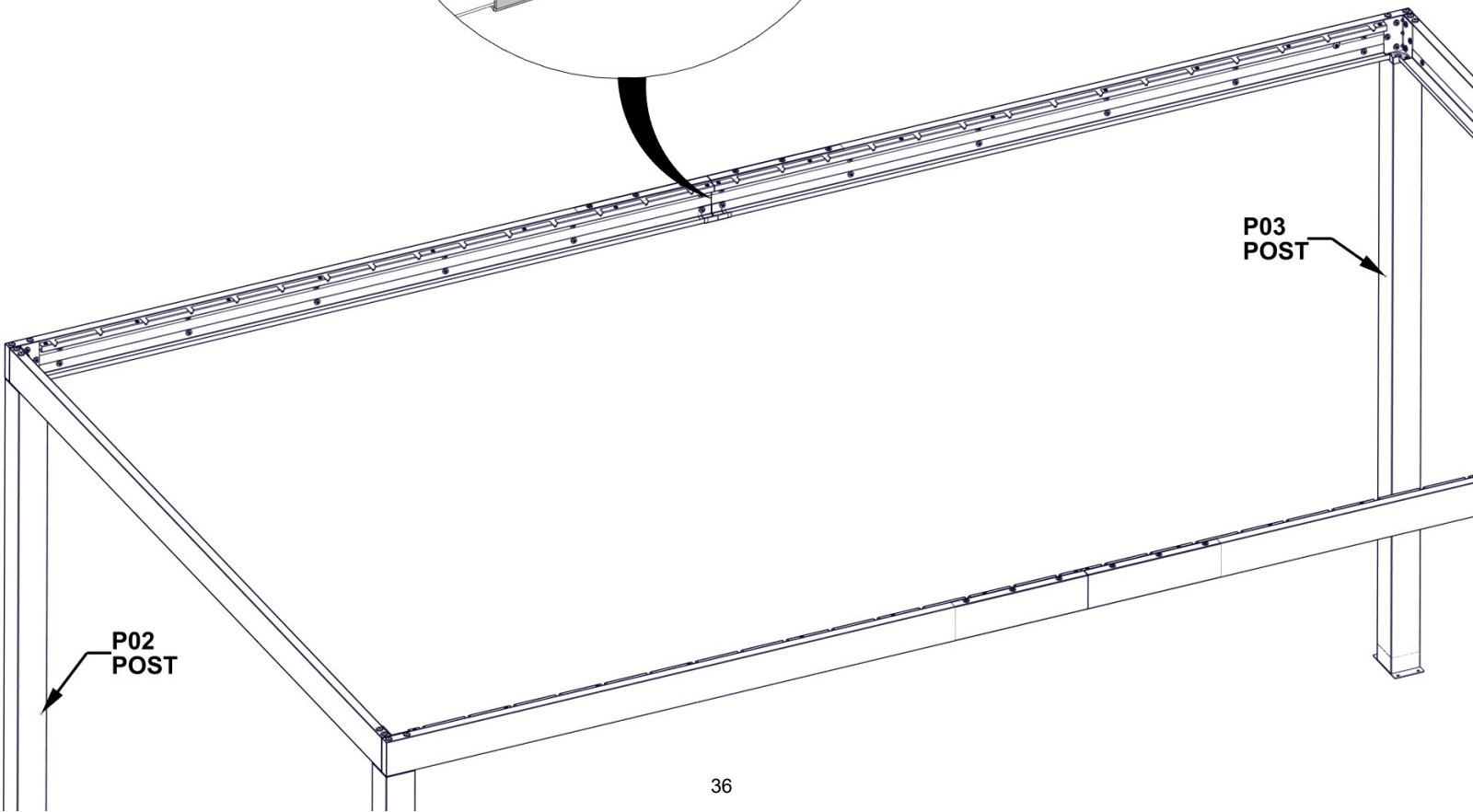


A6P00796 SILICONE
(x1)

- APPLY A FINE BEAD OF SILICONE ALONG INSIDE SURFACE OF GUTTER WHERE TWO GUTTER PIECES MEET.
- SMOOTH SILICONE ALONG SEAM, WIPING EXCESS USING A RAG OR PAPER TOWEL.
- GLOVES ARE RECOMMENDED WHEN APPLYING SILICONE.
- MAKE SURE SURFACE OF GUTTER IS CLEAN, DRY, AND FREE OF ANY DIRT/DEBRIS.



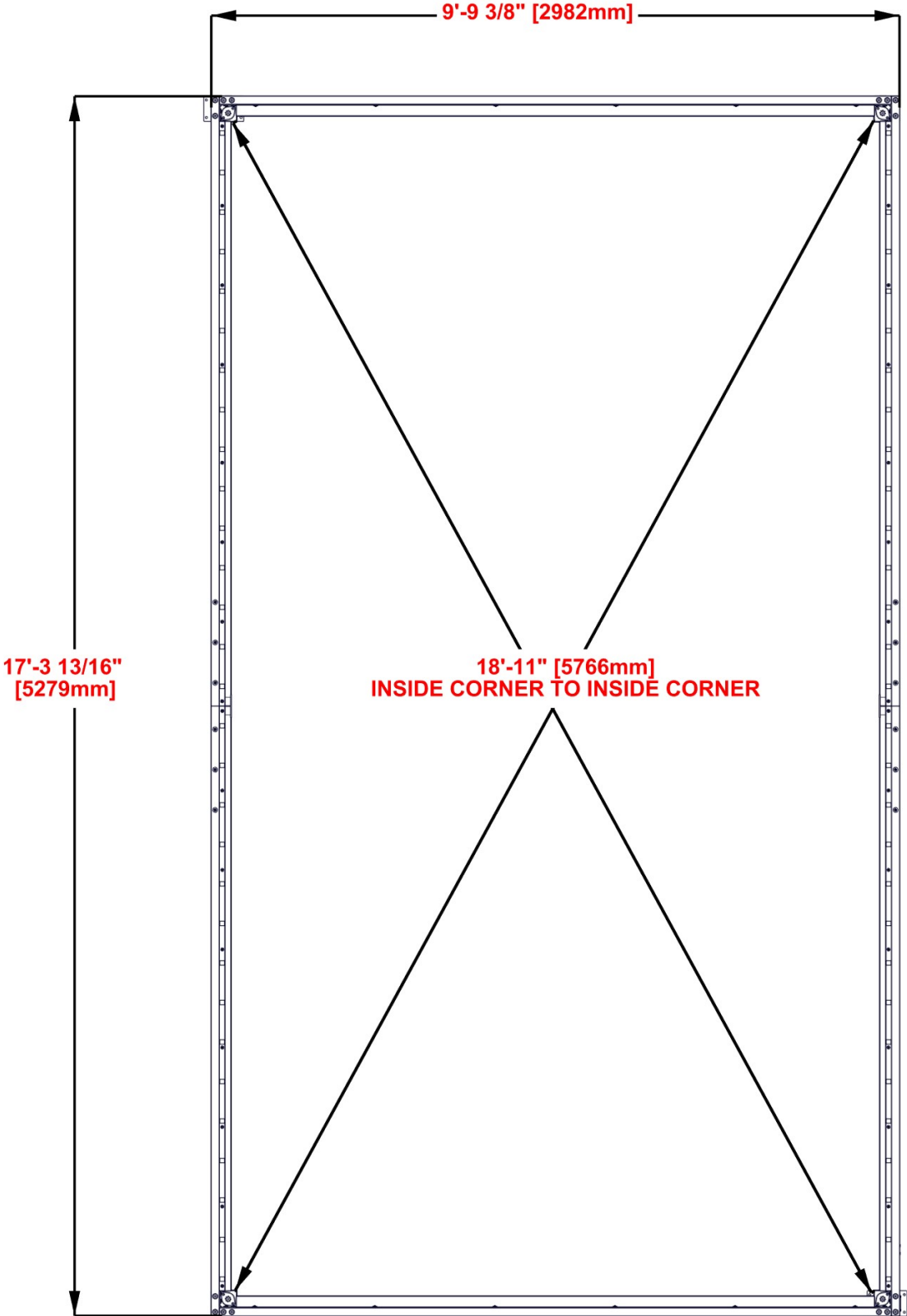
NOTE: APPLY A FINE BEAD OF SILICONE ALONG INSIDE SEAM OF GUTTER



STEP 18A - SQUARE STRUCTURE

- CRITICAL:**
- 1. SQUARE ASSEMBLY BEFORE PROCEEDING TO NEXT STEPS.
 - 2. ONCE SQUARE, TIGHTEN ALL HARDWARE.

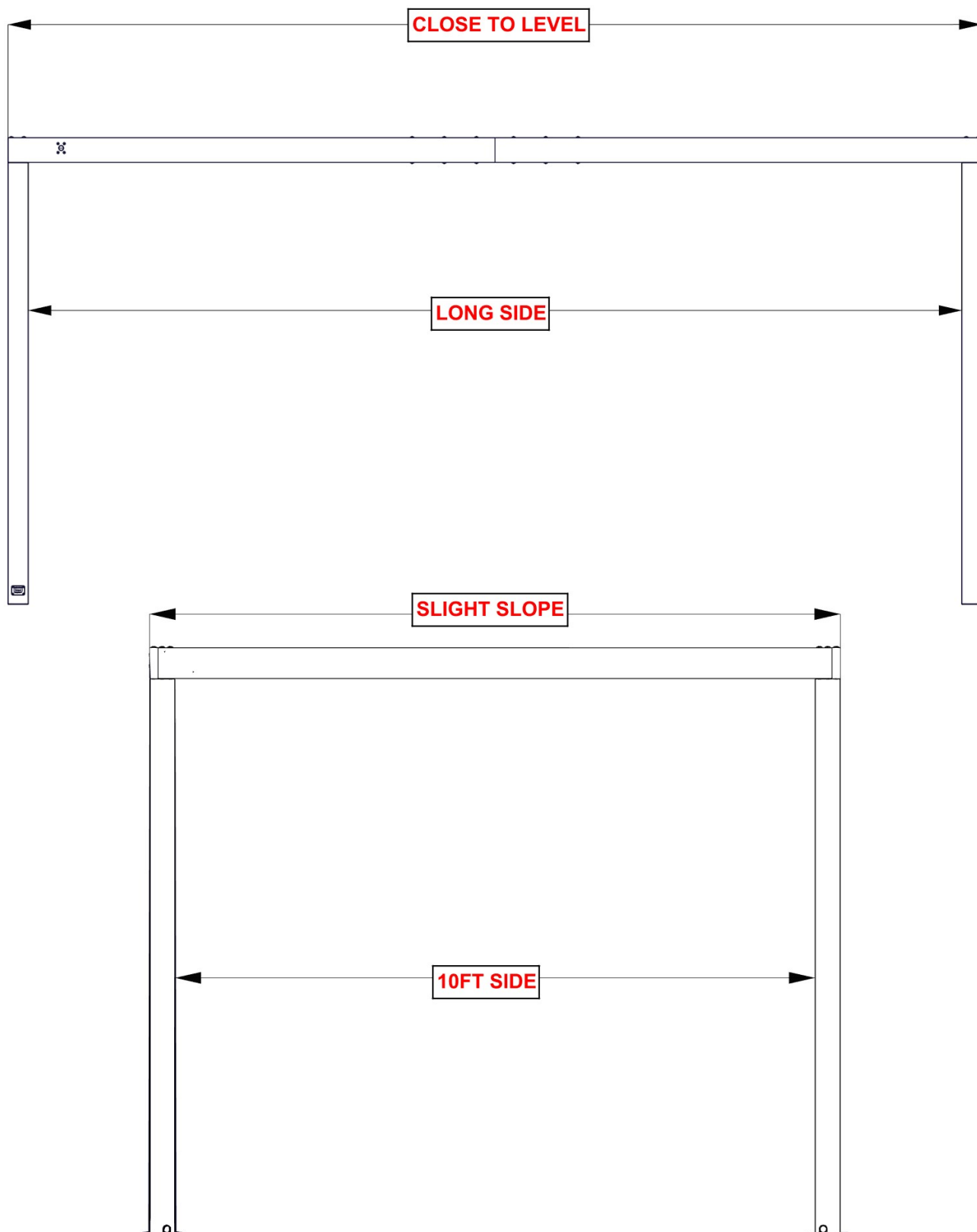
MEASUREMENTS TAKE FROM OUTSIDE POST TO OUTSIDE POST OF STRUCTURE UNLESS NOTED OTHERWISE



STEP 18B - SQUARE STRUCTURE

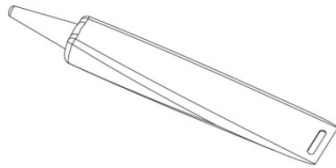
CRITICAL:

- FOR YOUR PERGOLA TO DRAIN PROPERLY, THERE MUST BE A SLIGHT SLOPE ON THE 10FT SIDE RUNNING THE LENGTH OF THE LOUVER BLADES.
- IT IS RECOMMENDED THAT THE LONG SIDES ARE LEVEL OR CLOSE TO LEVEL.
- PLACE A LEVEL ON THE LONGER BEAMS TO CONFIRM THE LONG SIDES ARE CLOSE TO LEVEL.
- PLACE A LEVEL ON THE SHORT BEAMS (10FT) SIDE TO CONFIRM YOU HAVE A SLIGHT SLOPE IN ONE DIRECTION.



PLEASE CONTACT BACKYARD DISCOVERY CUSTOMER SERVICE
IF HELP IS NEEDED POSITIONING YOUR STRUCTURE

STEP 19 - GUTTER SEALANT

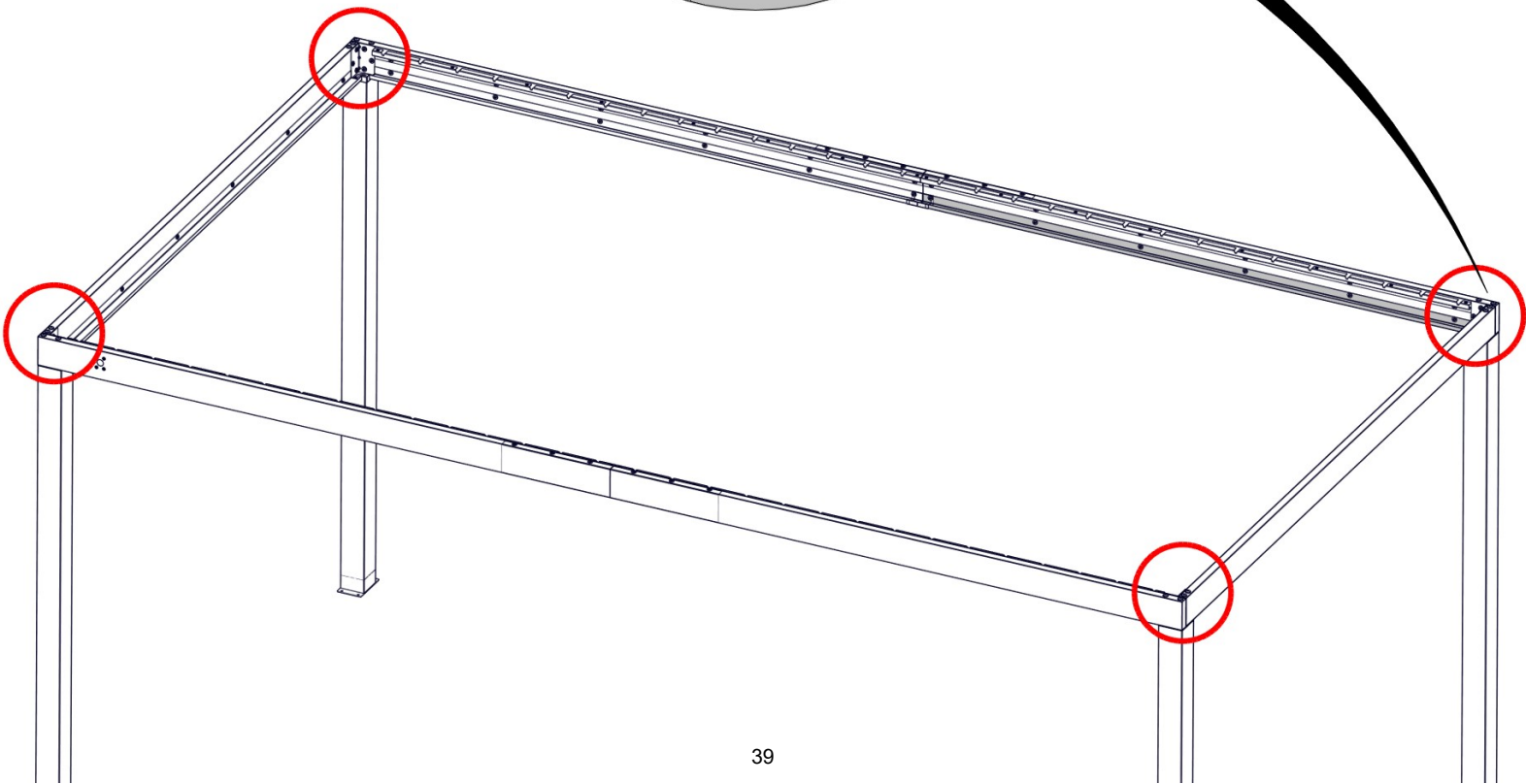
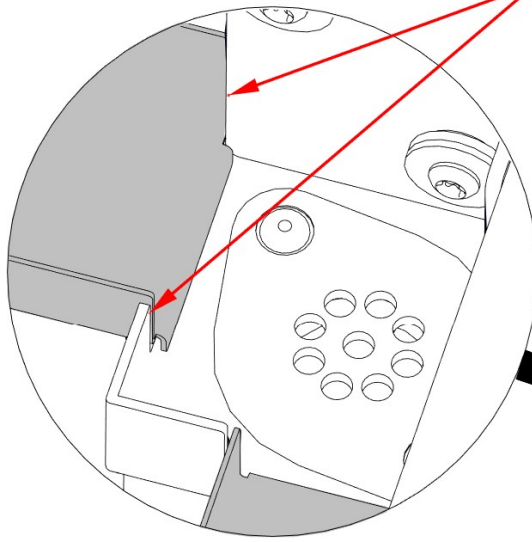


A6P00796 SILICONE
(x1)

- APPLY A FINE BEAD OF SILICONE ALONG INSIDE SURFACE OF GUTTER WHERE GUTTER PIECES MEET POST.
- SMOOTH SILICONE, WIPING EXCESS USING A RAG OR PAPER TOWEL.
- REPEAT THIS STEP FOR ALL GUTTER ATTACHMENT POINTS AT EACH POST.

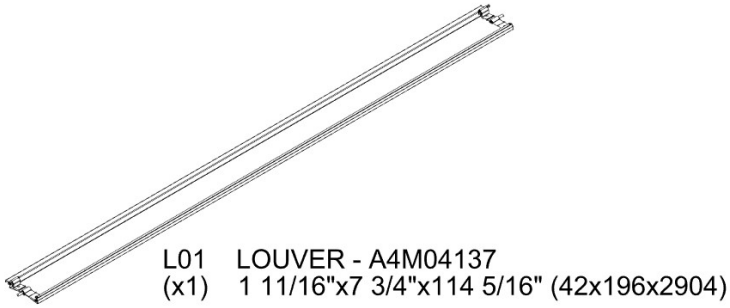
- GLOVES ARE RECOMMENDED WHEN APPLYING SILICONE.
- MAKE SURE SURFACE OF GUTTER IS CLEAN, DRY AND FREE OF ANY DIRT/DEBRIS.

NOTE: APPLY A FINE BEAD OF SILICONE TO PREVENT WATER FROM LEAKING



STEP 20 - DRIVE LOUVER ASSEMBLY

QTY	PART NUMBER	DESCRIPTION
4	H100408	SCREW PWH 8x1/2 BLK

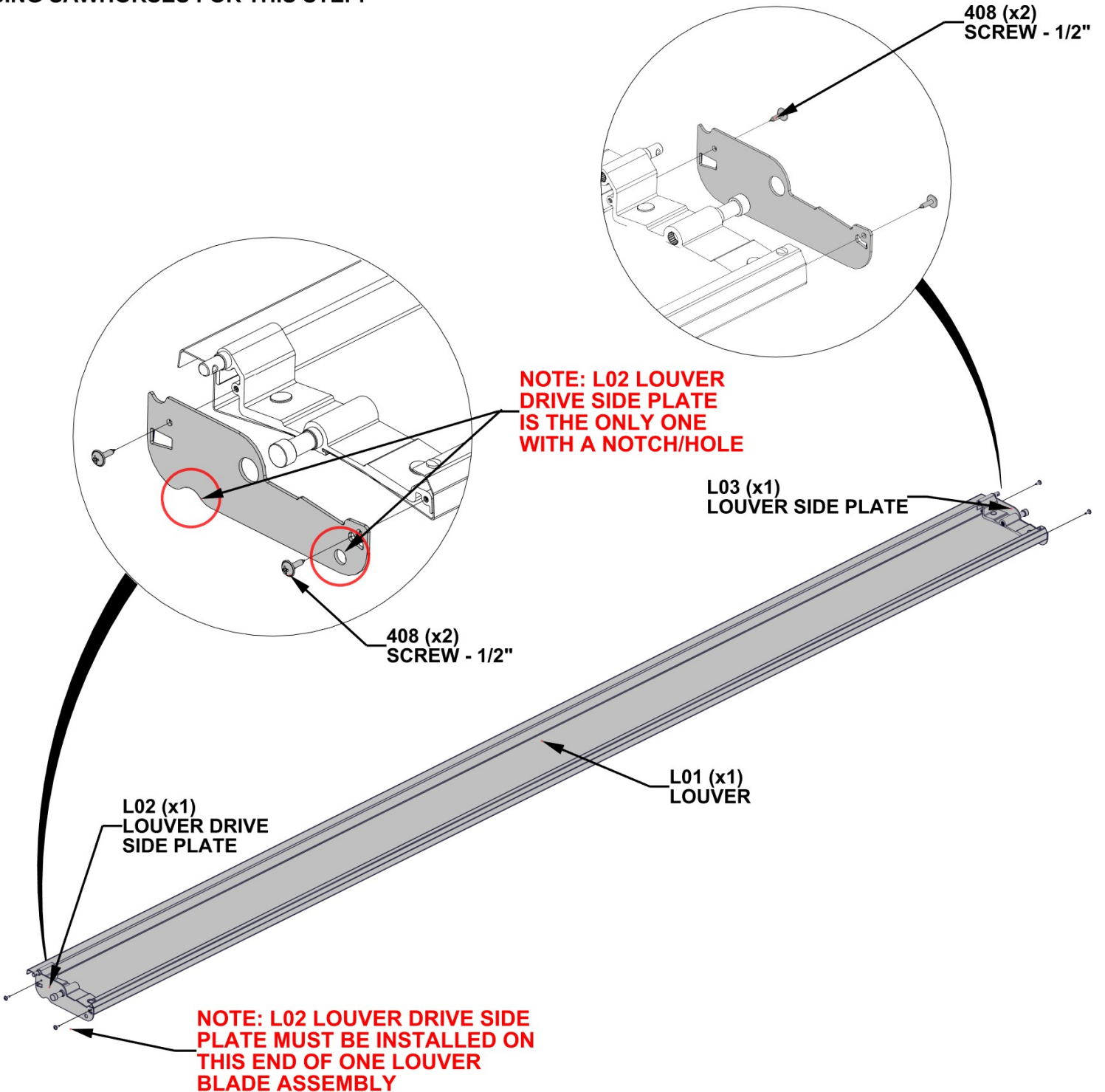


L02 LOUVER DRIVE SIDE PLATE - A4M04139
(x1) 1/16"x2 3/16"x6 9/16" (2x55x167)

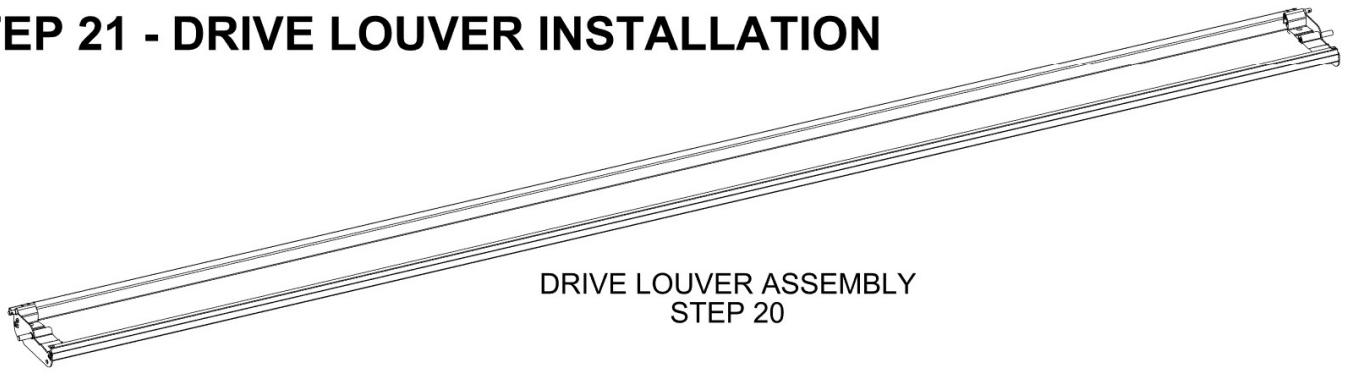


L03 LOUVER SIDE PLATE - A4M04138
(x1) 1/16"x2 3/16"x6 9/16" (2x55x167)

- DO NOT OVERTIGHTEN SCREWS
- FOR EASE OF ASSEMBLY, WE RECOMMEND USING SAWHORSES FOR THIS STEP.



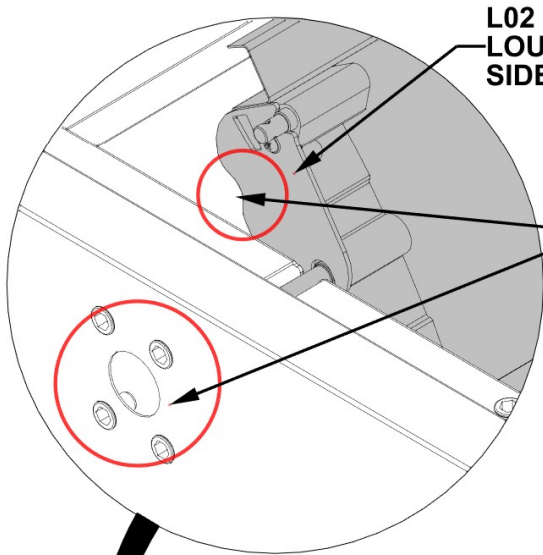
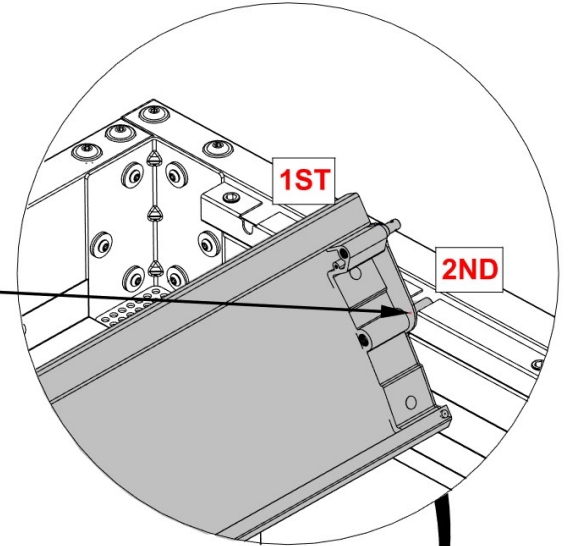
STEP 21 - DRIVE LOUVER INSTALLATION



DRIVE LOUVER ASSEMBLY
STEP 20

- ORIENTATION OF LOUVER WILL BE DETERMINED BY THE SIDE BEAM WITH FOUR THREADED INSERTS
- PLACE DRIVE LOUVER FROM PREVIOUS STEP IN THE SECOND SET OF LOUVER MOUNT GROOVES. L02 DRIVE PLATE WILL BE ON SAME SIDE AS FOUR THREADED INSERTS IN BEAM.

NOTE: PLACE DRIVE LOUVER ASSEMBLY IN THE SECOND SET OF LOUVER MOUNT GROOVES



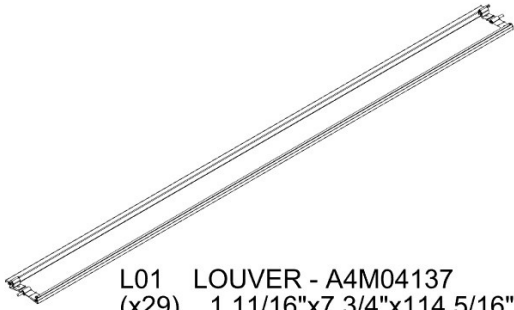
L02
LOUVER DRIVE
SIDE PLATE

NOTE: L02 SIDE PLATE MUST BE ON THE SAME END AS THE FOUR THREADED INSERTS

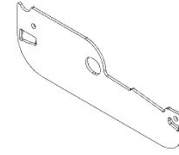
DRIVE LOUVER
ASSEMBLY
STEP 20

STEP 22 - LOUVER ASSEMBLY

QTY	PART NUMBER	DESCRIPTION
116	H100408	SCREW PWH 8x1/2 BLK



L01 LOUVER - A4M04137
(x29) 1 11/16"x7 3/4"x114 5/16" (42x196x2904)

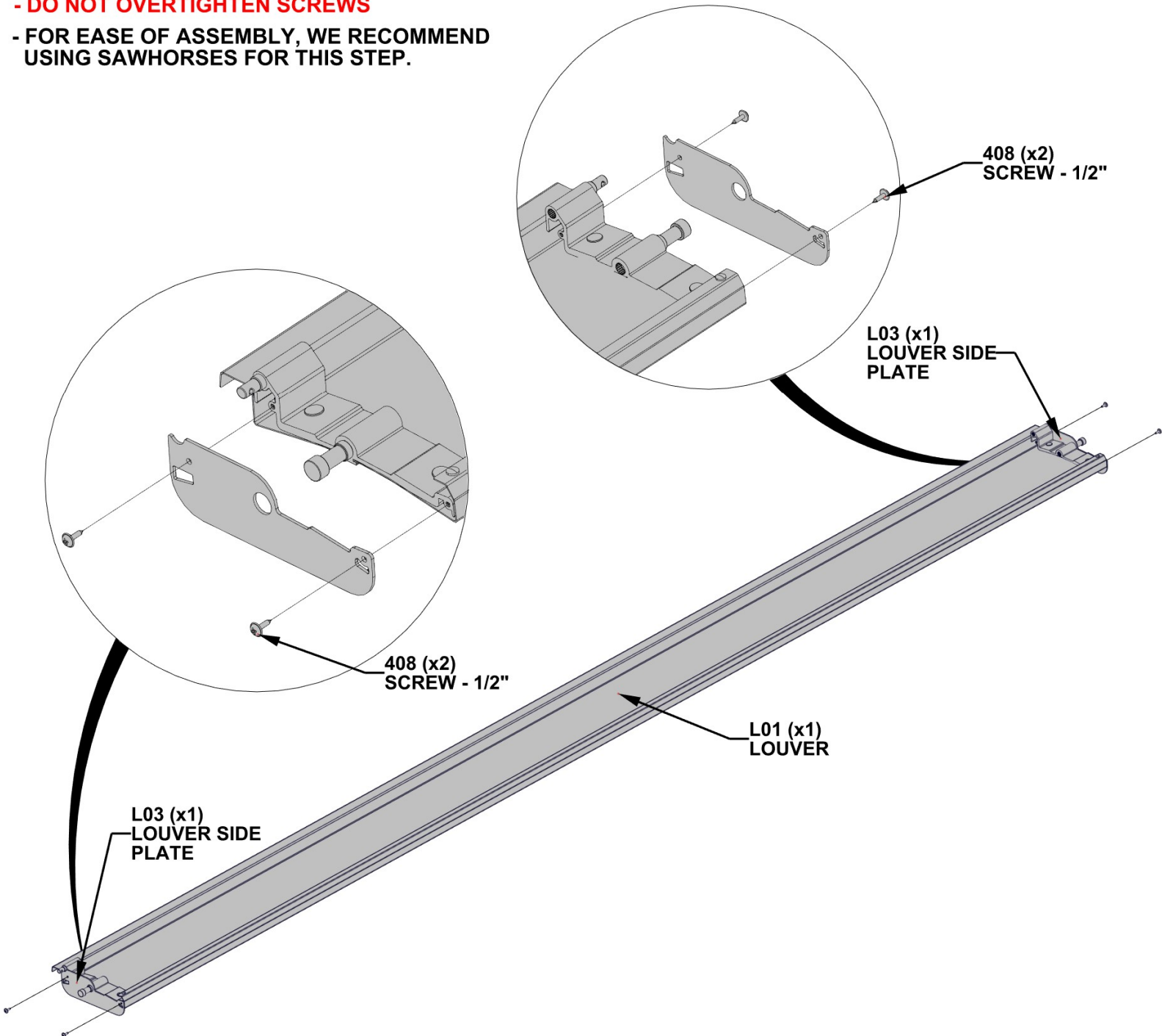


L03 LOUVER SIDE PLATE - A4M04138
(x58) 1/16"x2 3/16"x6 9/16" (2x55x167)

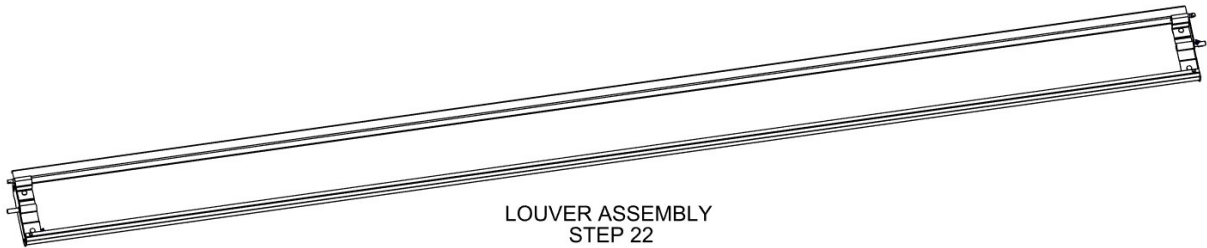
REPEAT THIS STEP 29 TIMES

- DO NOT OVERTIGHTEN SCREWS

- FOR EASE OF ASSEMBLY, WE RECOMMEND USING SAWHORSES FOR THIS STEP.

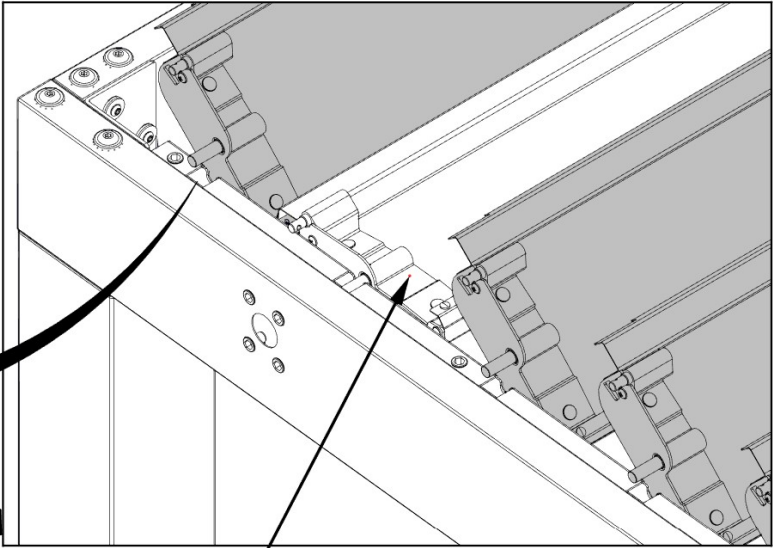
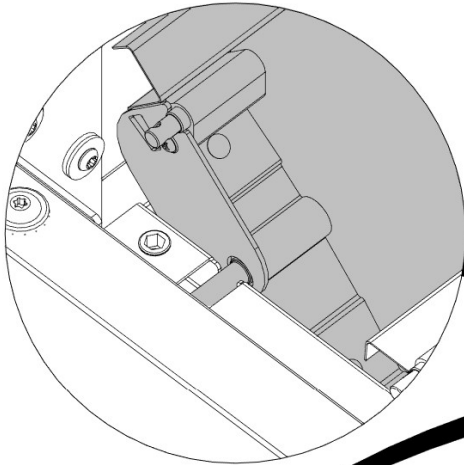


STEP 23 - LOUVER INSTALLATION

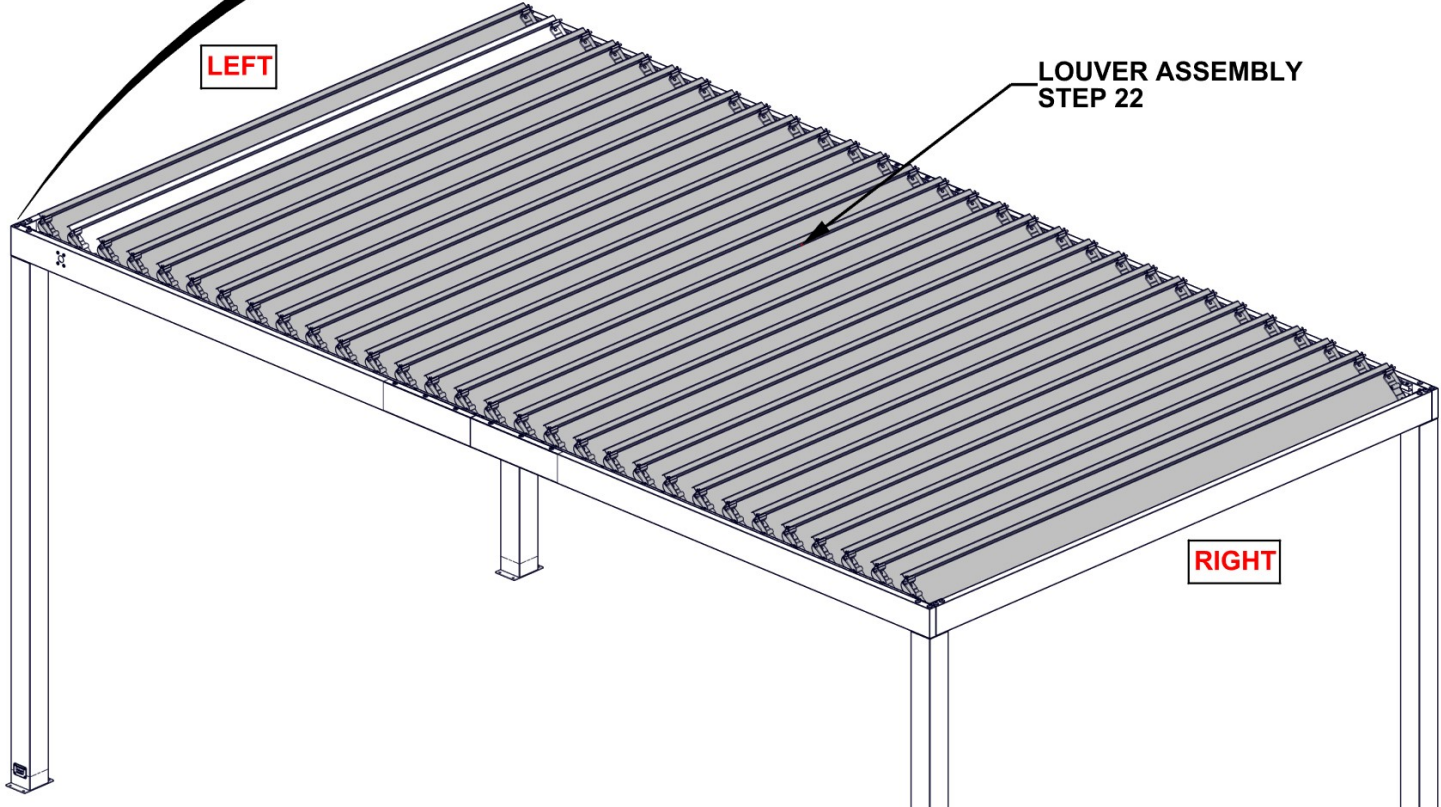


- STARTING AT THE LEFT AND WORKING TO THE RIGHT, CAREFULLY SET EACH LOUVER ASSEMBLY ONE AT A TIME INTO LOUVER MOUNTS AT EACH END.

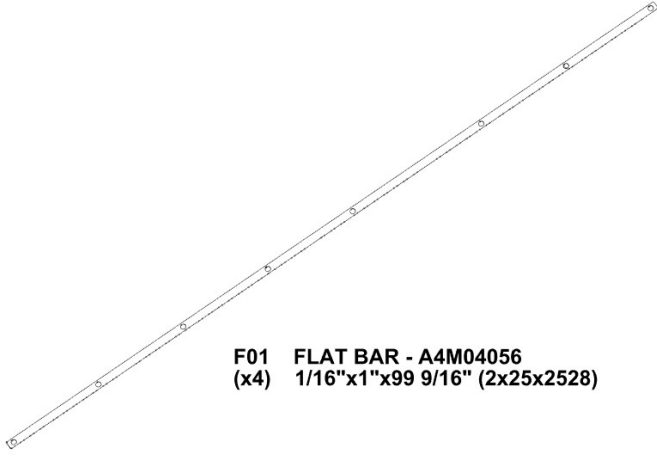
NOTE: MAKE SURE ALL LOUVER BLADE ASSEMBLIES ARE ORIENTED IN THE SAME DIRECTION.



DRIVE LOUVER FROM STEP 21



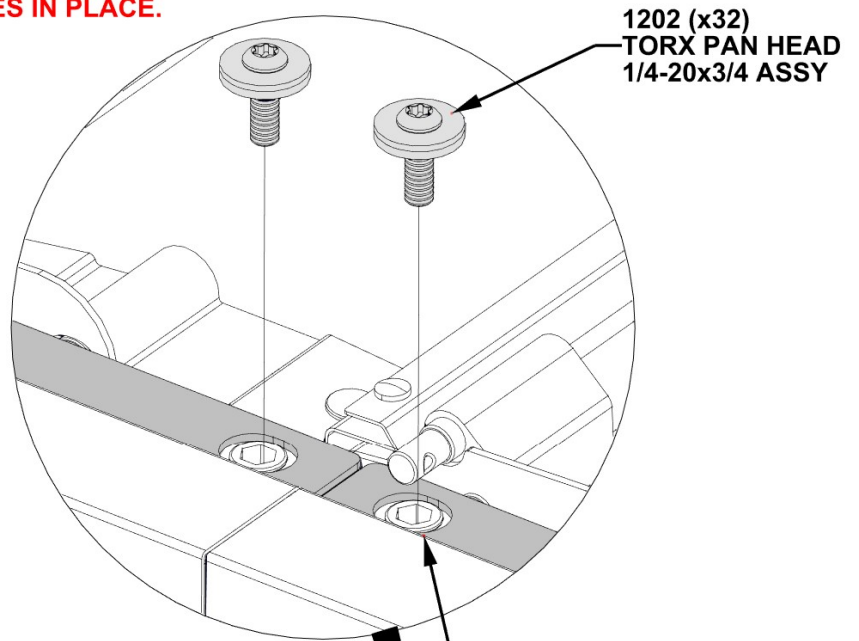
STEP 24 - LOUVER INSTALLATION



F01 FLAT BAR - A4M04056
(x4) 1/16"x1"x99 9/16" (2x25x2528)

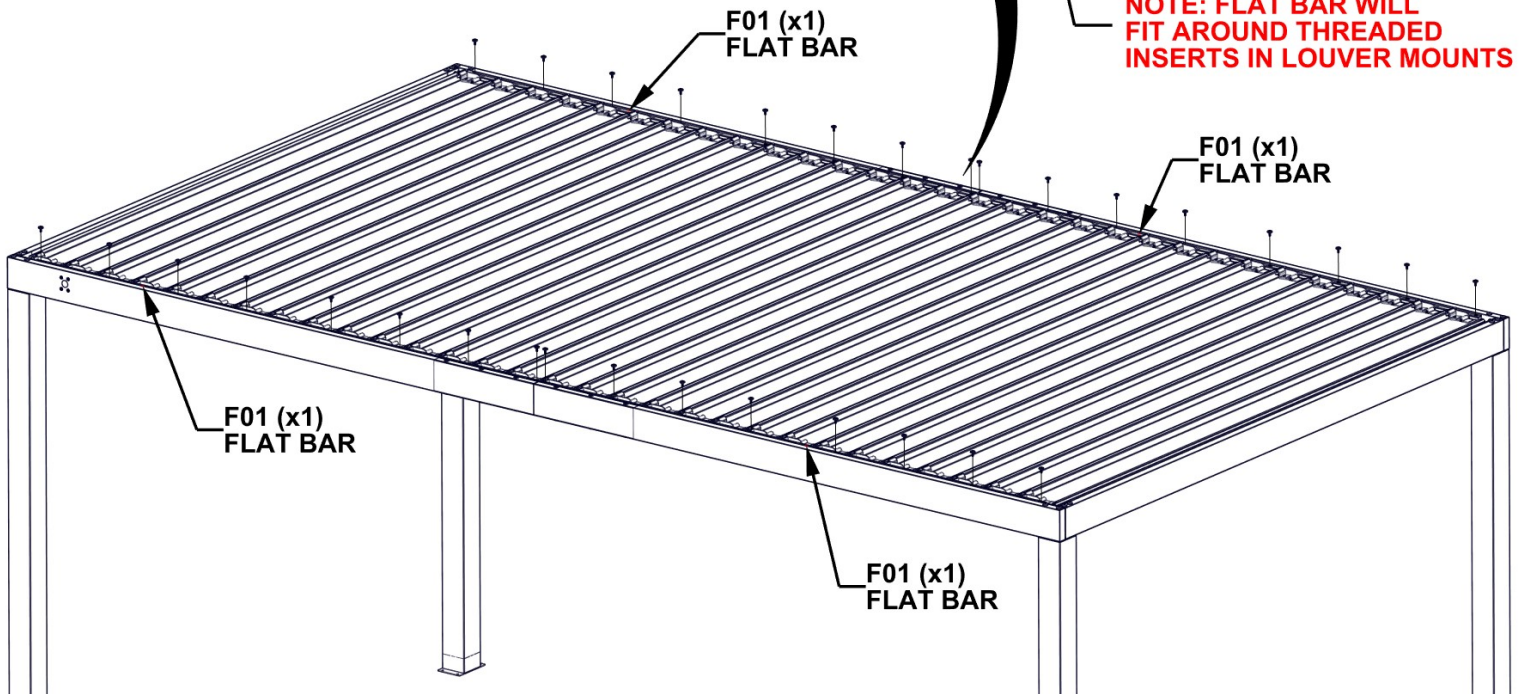
QTY	PART NUMBER	DESCRIPTION
32	H101202	TORX PAN HEAD 1/4-20x3/4 ASSY

- ATTACH FLAT BAR ALONG EACH LOUVER MOUNT.
- FLAT BAR WILL HOLD ALL LOUVER ASSEMBLIES IN PLACE.



1202 (x32)
TORX PAN HEAD
1/4-20x3/4 ASSY

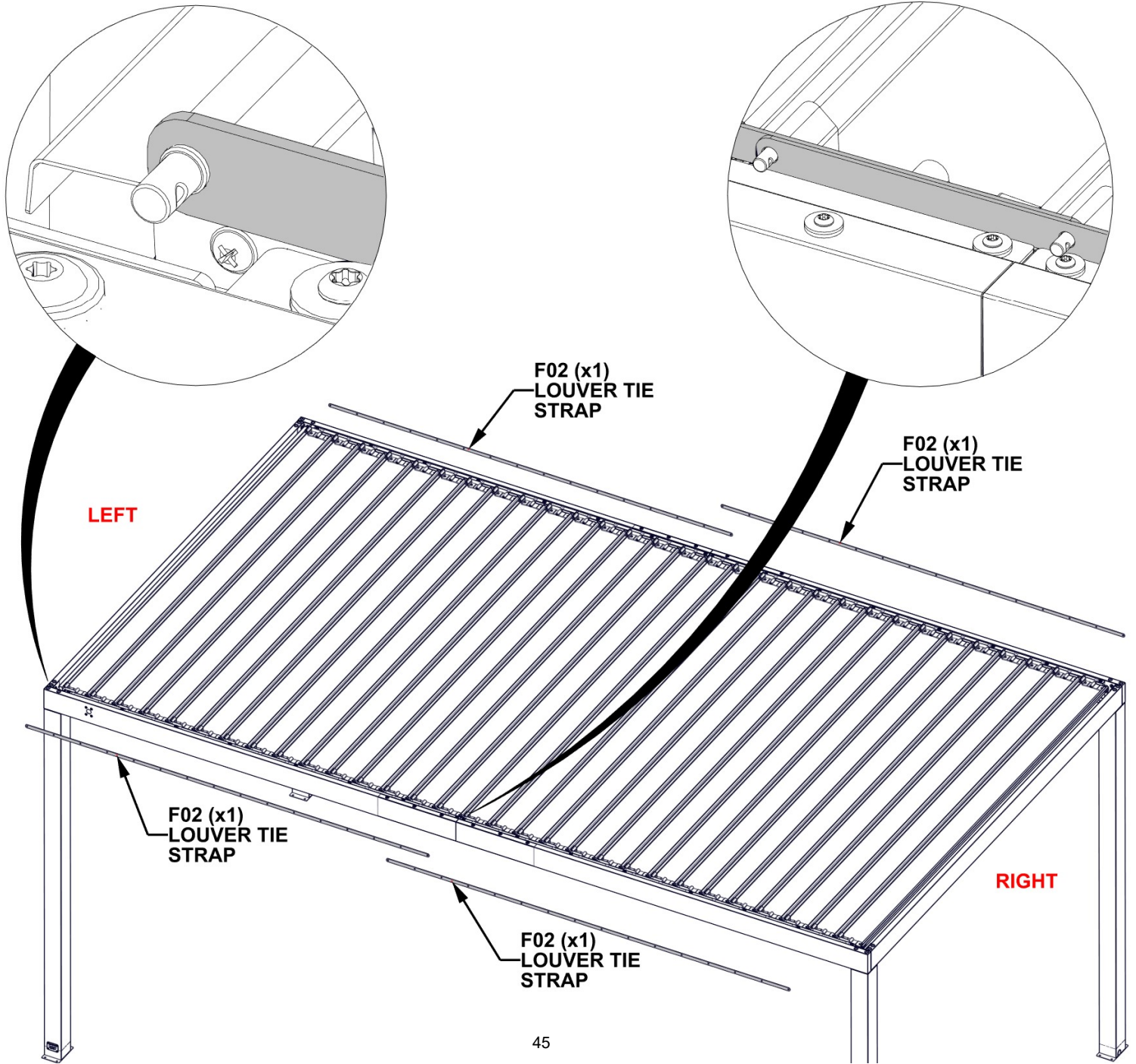
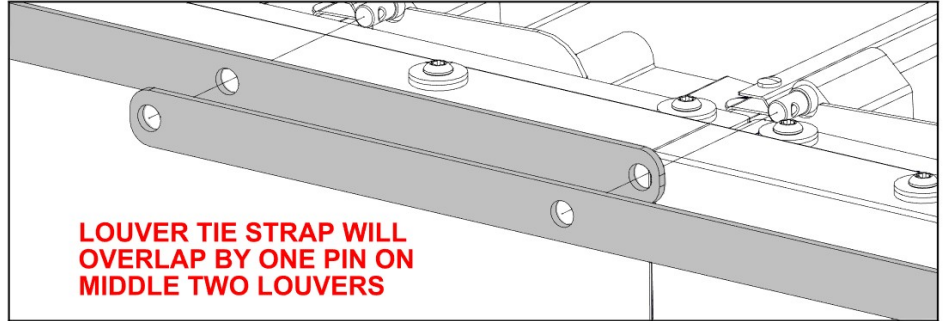
NOTE: FLAT BAR WILL FIT AROUND THREADED INSERTS IN LOUVER MOUNTS



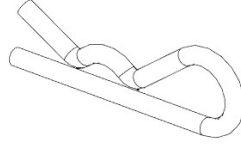
STEP 25A - LOUVER INSTALLATION

F02 LOUVER TIE STRAP - A4M04057
(x4) 1/8"x13/16"x101 3/4" (3x20x2585)

- LOUVER TIE STRAPS WILL CONNECT ALL LOUVERS TO ONE ANOTHER.
- STARTING ON THE LEFT AND WORKING TO THE RIGHT, CONNECT LOUVERS USING TIE STRAPS. OVERLAP TIE STRAPS TO HOLD MIDDLE LOUVERS TOGETHER.

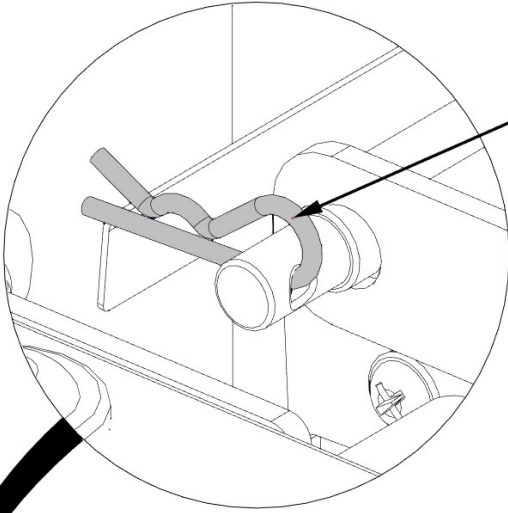


STEP 25B - LOUVER INSTALLATION

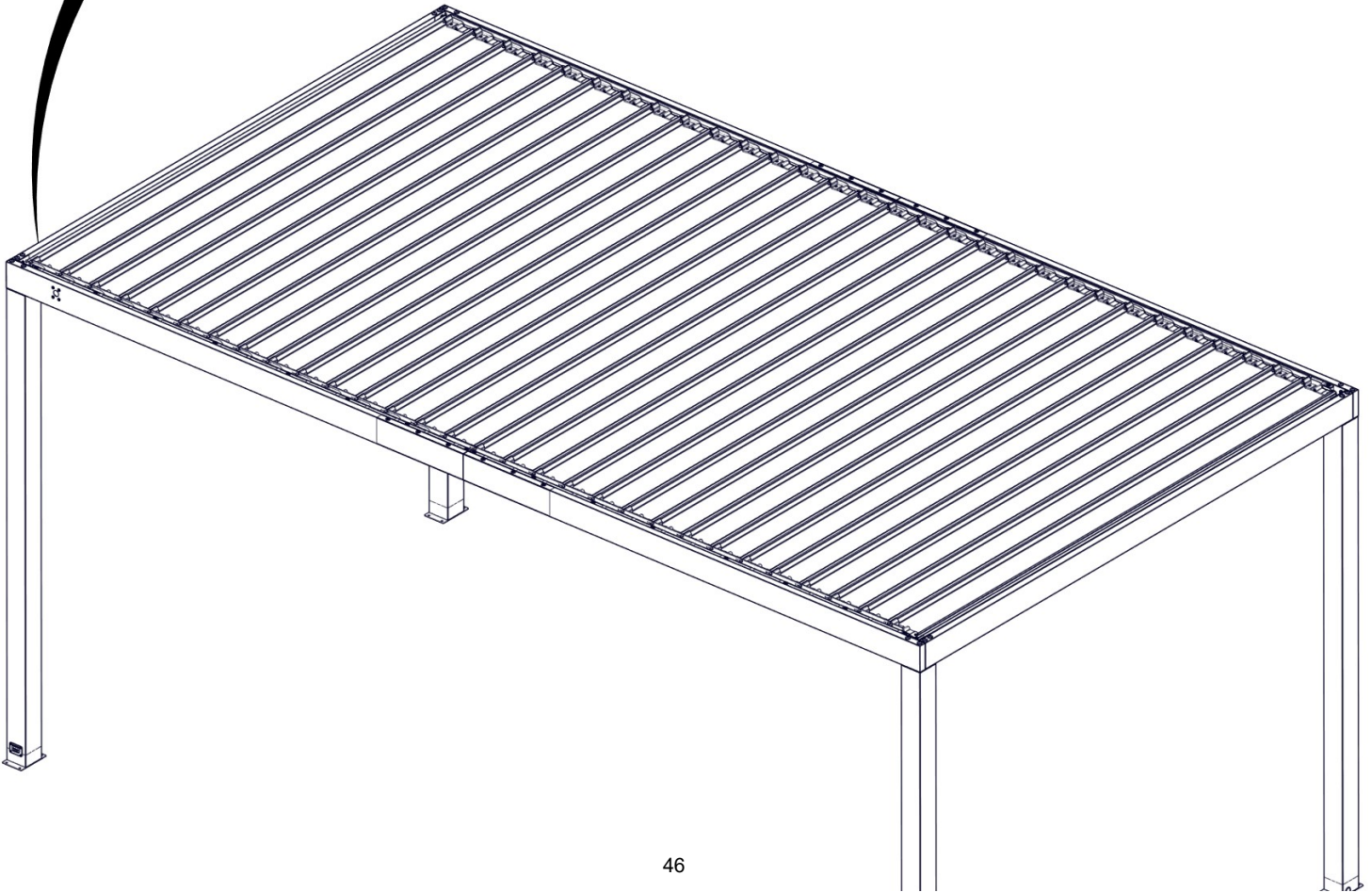


H101161 COTTER PIN
(x60)

- INSTALL COTTER PINS ON EACH LOUVER TO HOLD TIE STRAPS IN PLACE.

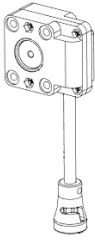


1161 (x60)
COTTER PIN



STEP 26 - LOUVER MECHANISM

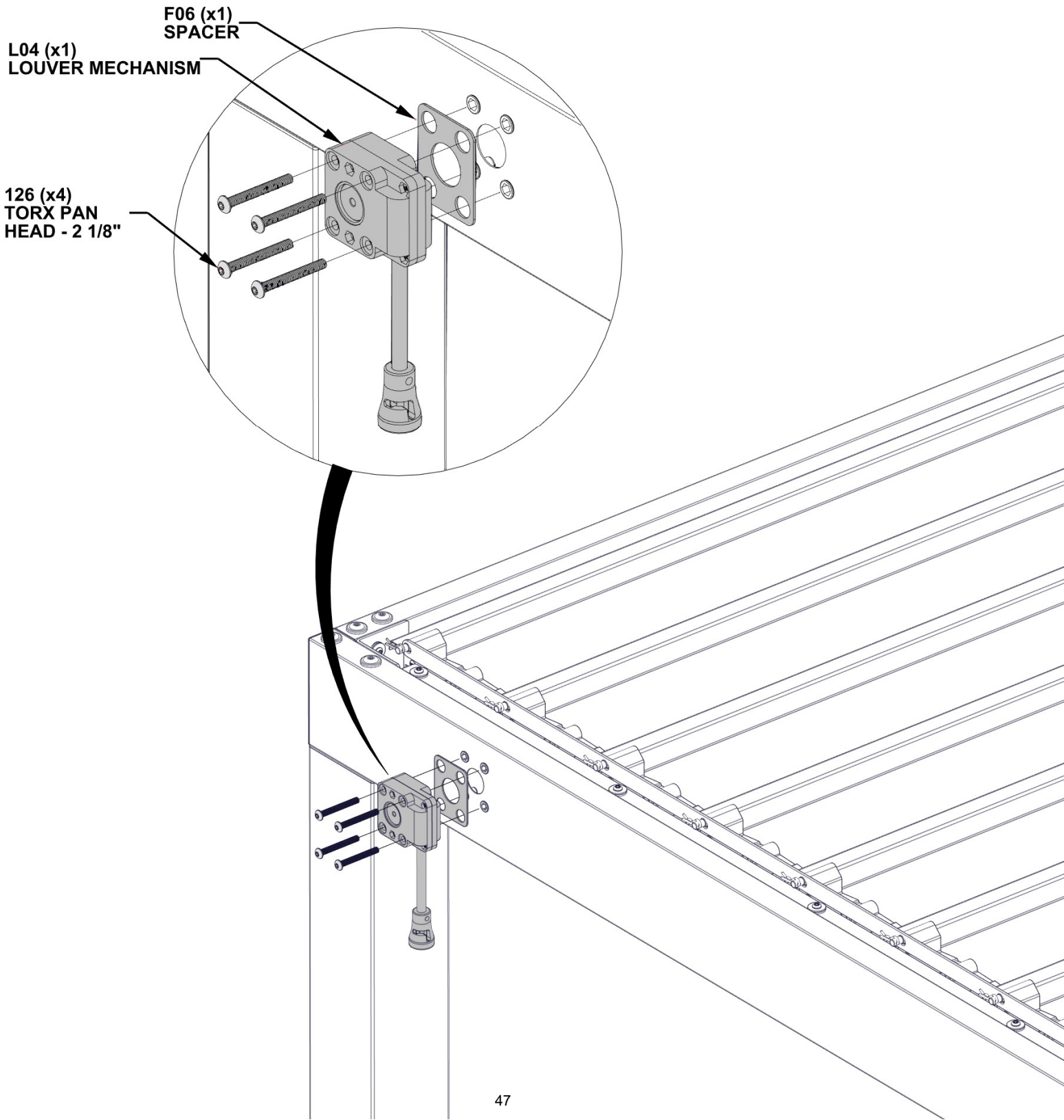
QTY	PART NUMBER	DESCRIPTION
4	H101126	TORX PAN HEAD 1/4-20x2 1/8" BLK



L04 LOUVER MECHANISM
(x1) A4M02132

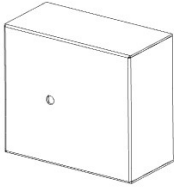


F06 SPACER - A4M02227
(x1) 1/16"x2 3/16"x2 3/4" (1.5x56x70)

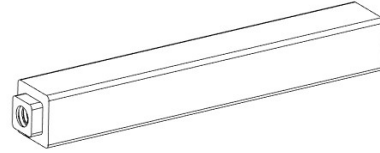


STEP 27 - LOUVER MECHANISM

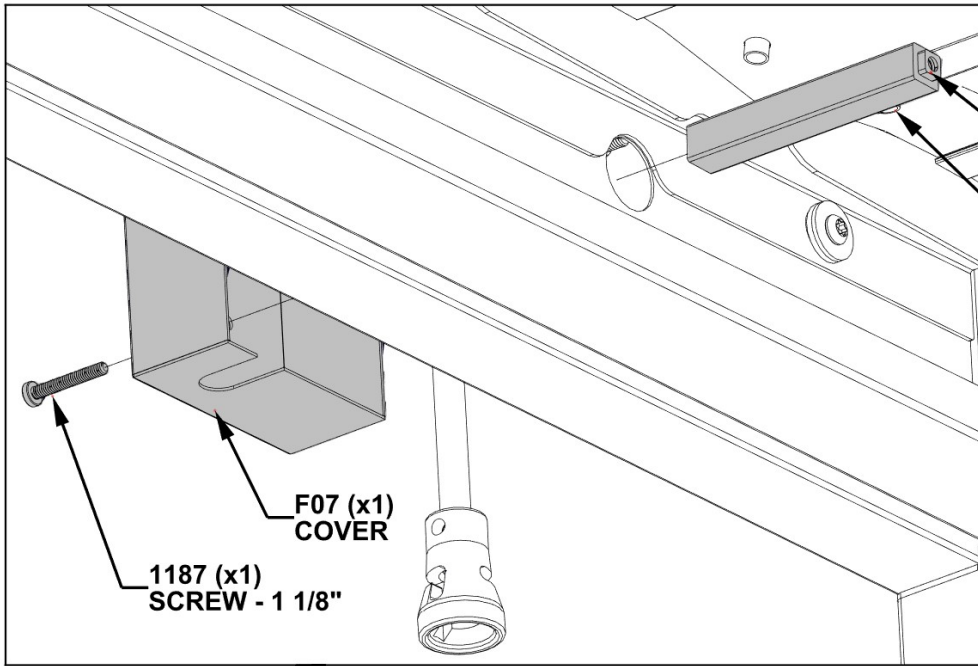
QTY	PART NUMBER	DESCRIPTION
1	H101187	BOLT PPH 8-32x1 1/8 BLK



F07 COVER - A4M02228
(x1) 1 9/16"x2 7/8"x3 1/4" (39.5x73x82)



F05 KEY STOCK - A4M02226
(x1) 1/2"x1/2"x3 3/4" (13x13x95)

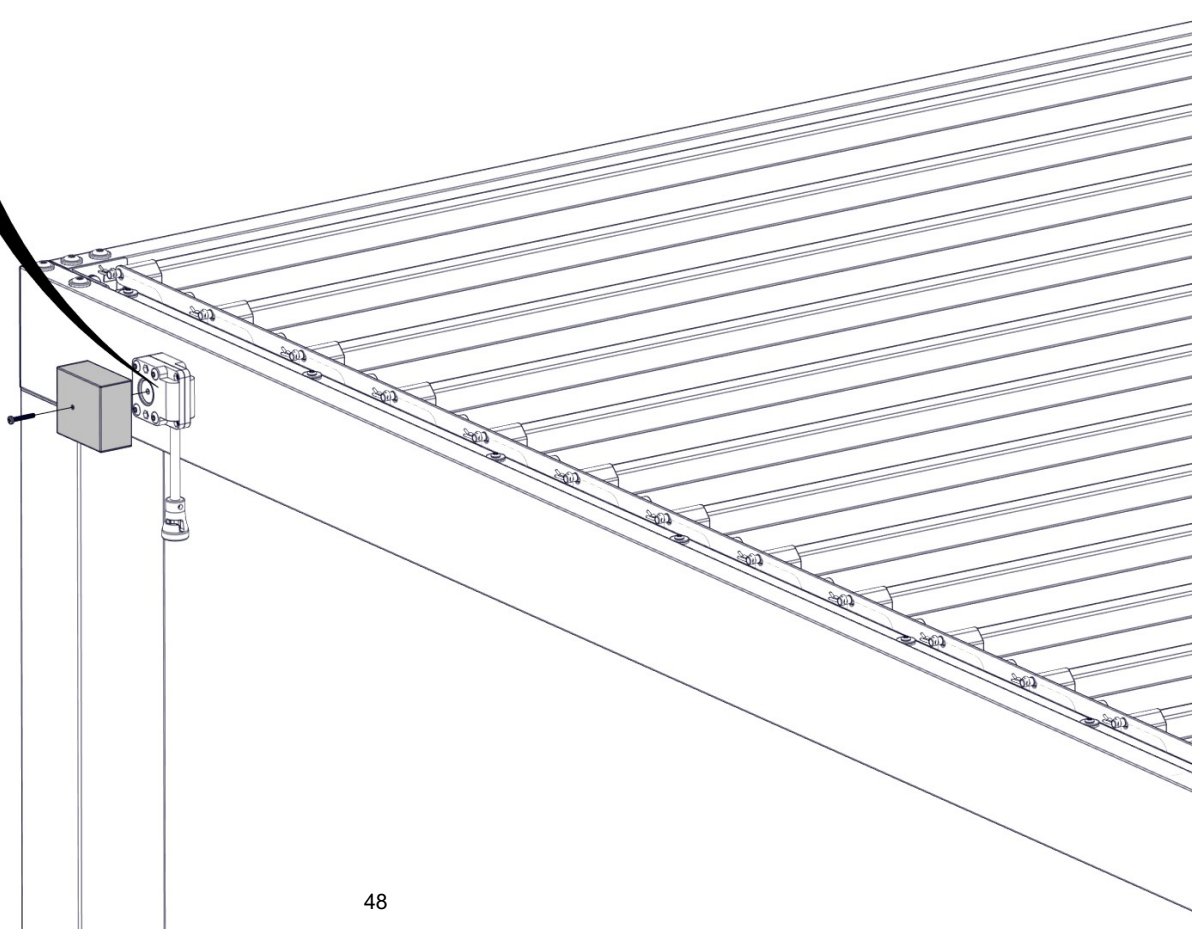


**NOTE: ORIENTATION OF
KEY STOCK. SQUARE END
FACES OUT**

F05 (x1)
KEY STOCK

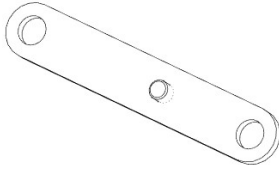
F07 (x1)
COVER

1187 (x1)
SCREW - 1 1/8"

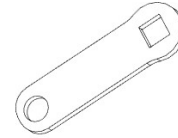


STEP 28A - LOUVER MECHANISM

QTY	PART NUMBER	DESCRIPTION
1	H101189	LOW PROFILE SHOULDER BOLT 1/4-20x.375
1	H100653	NUT LOCK 1/4 BLK
2	H100474	WASHER FLAT 9x18 BLK

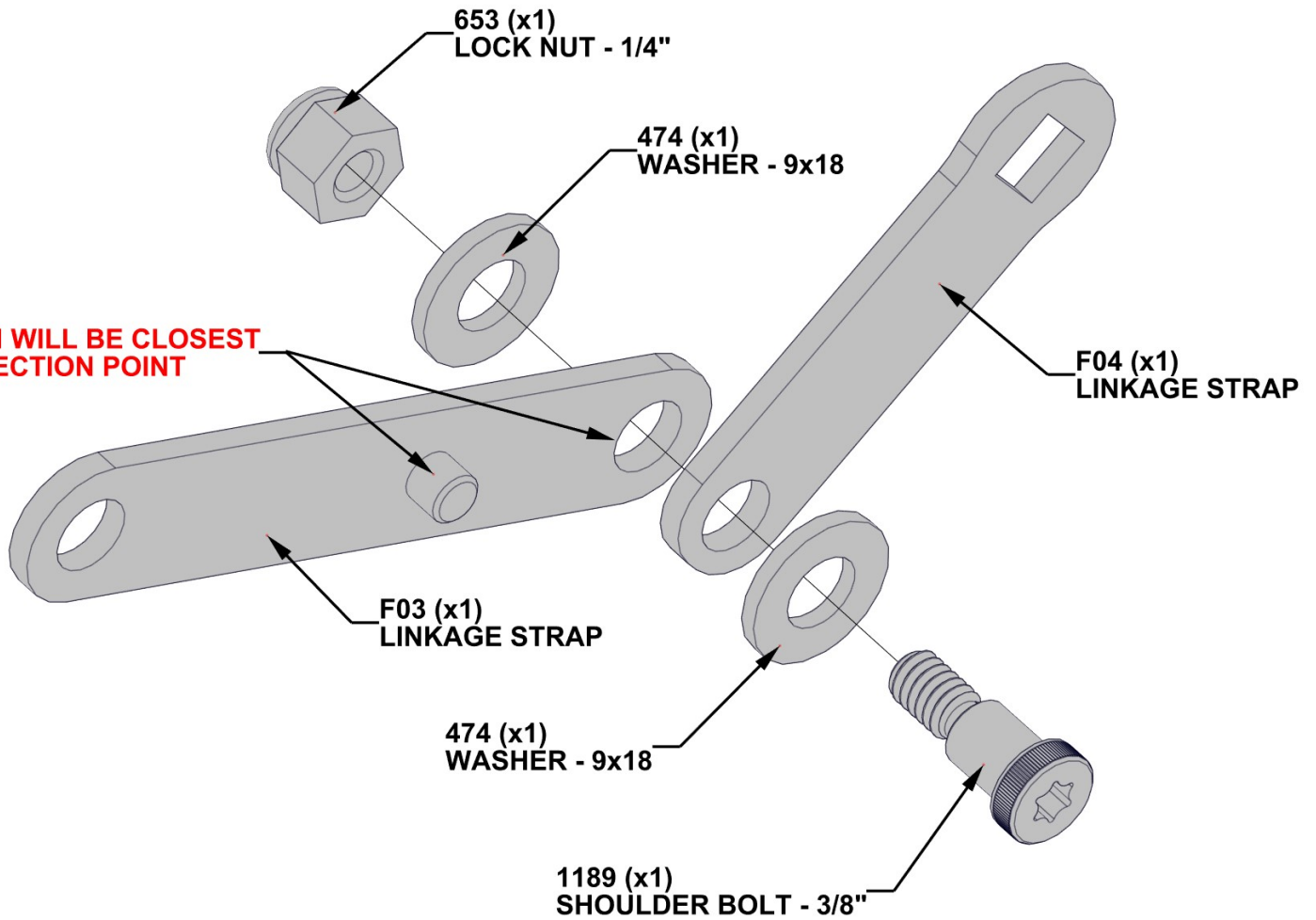


F03 LINKAGE STRAP - A4M02229
(x1) 1/2"x11/16"x3 13/16" (13x17x97)

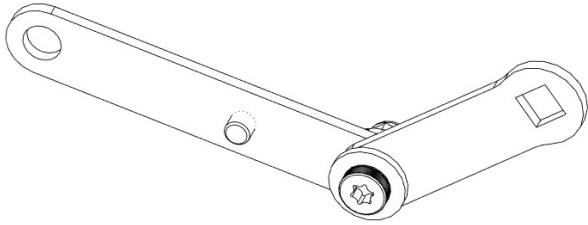


F04 LINKAGE STRAP - A4M02225
(x1) 1/8"x13/16"x2 5/8" (3x20x66)

- LINKAGE MUST BE ORIENTED AS SHOWN BELOW.
- DO NOT OVERTIGHTEN HARDWARE.
- LINKAGES SHOULD BE ABLE TO ROTATE FREELY.



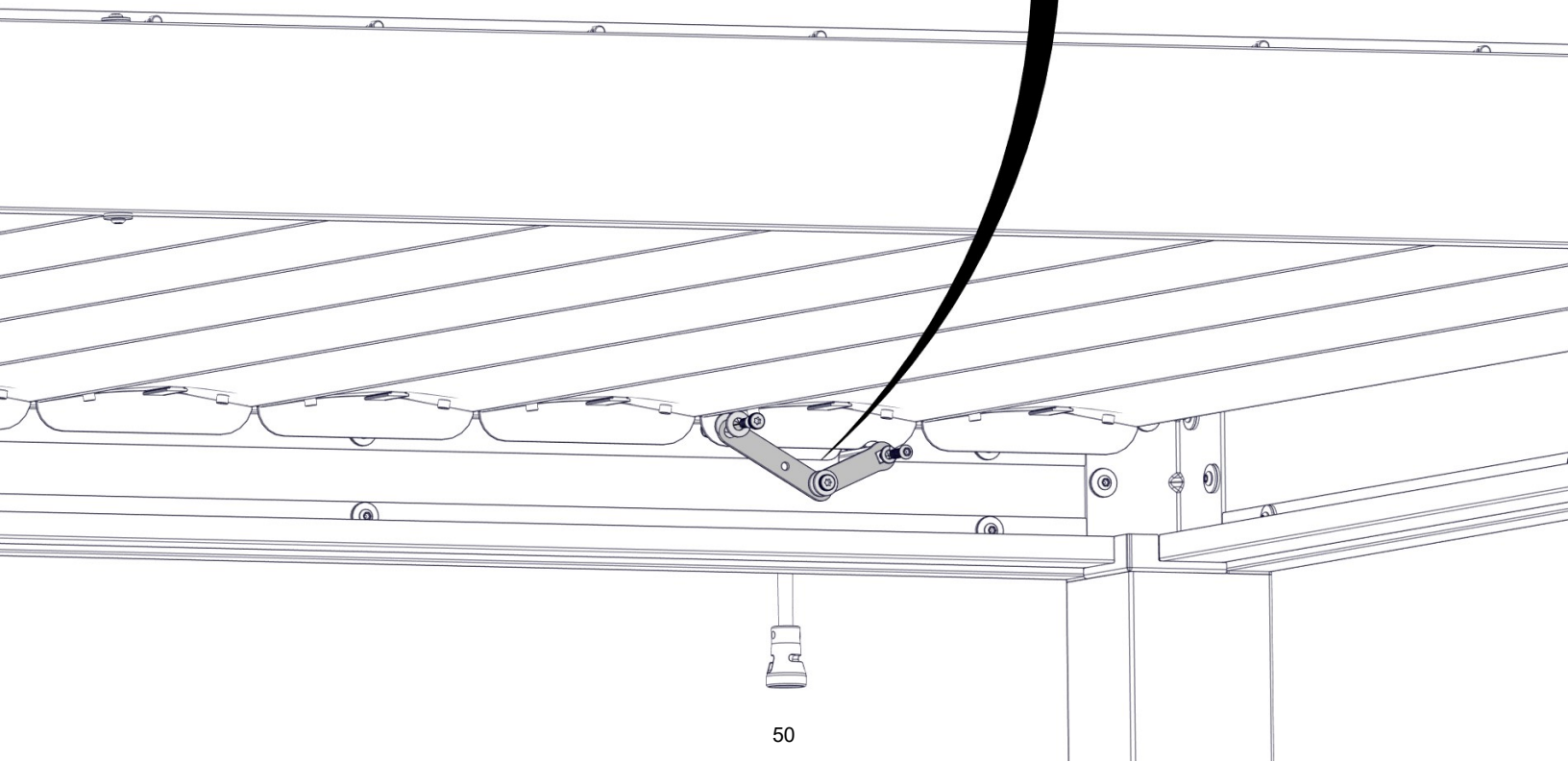
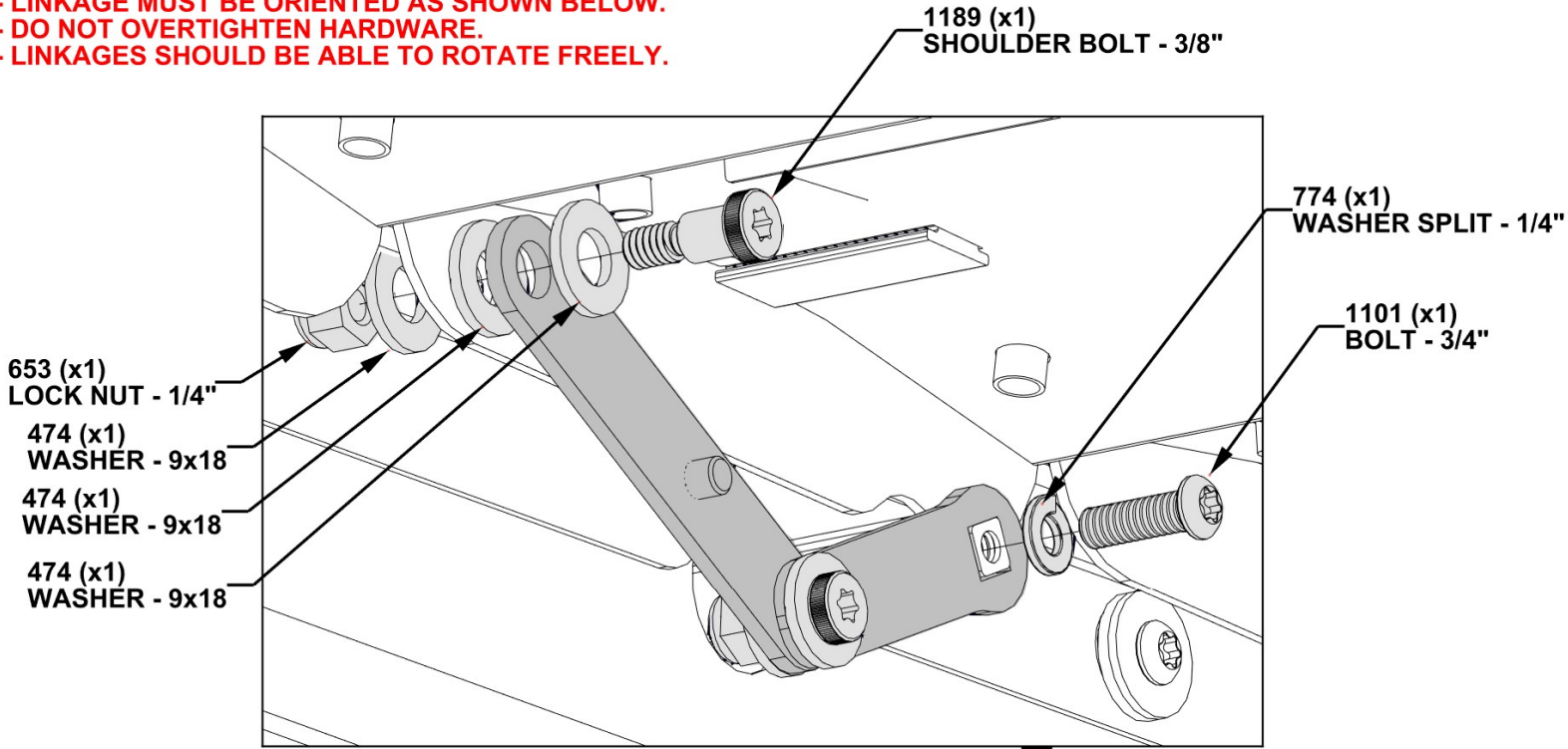
STEP 28B - LOUVER MECHANISM



**LINKAGE ASSEMBLY
STEP 28A**

QTY	PART NUMBER	DESCRIPTION
3	H100474	WASHER FLAT 9x18 BLK
1	H100653	NUT LOCK 1/4 BLK
1	H100774	WASHER SPLIT 1/4 BLK
1	H101101	TORX PAN HEAD 1/4-20x3/4"
1	H101189	LOW PROFILE SHOULDER BOLT 1/4-20x.375

- LINKAGE MUST BE ORIENTED AS SHOWN BELOW.
- DO NOT OVERTIGHTEN HARDWARE.
- LINKAGES SHOULD BE ABLE TO ROTATE FREELY.

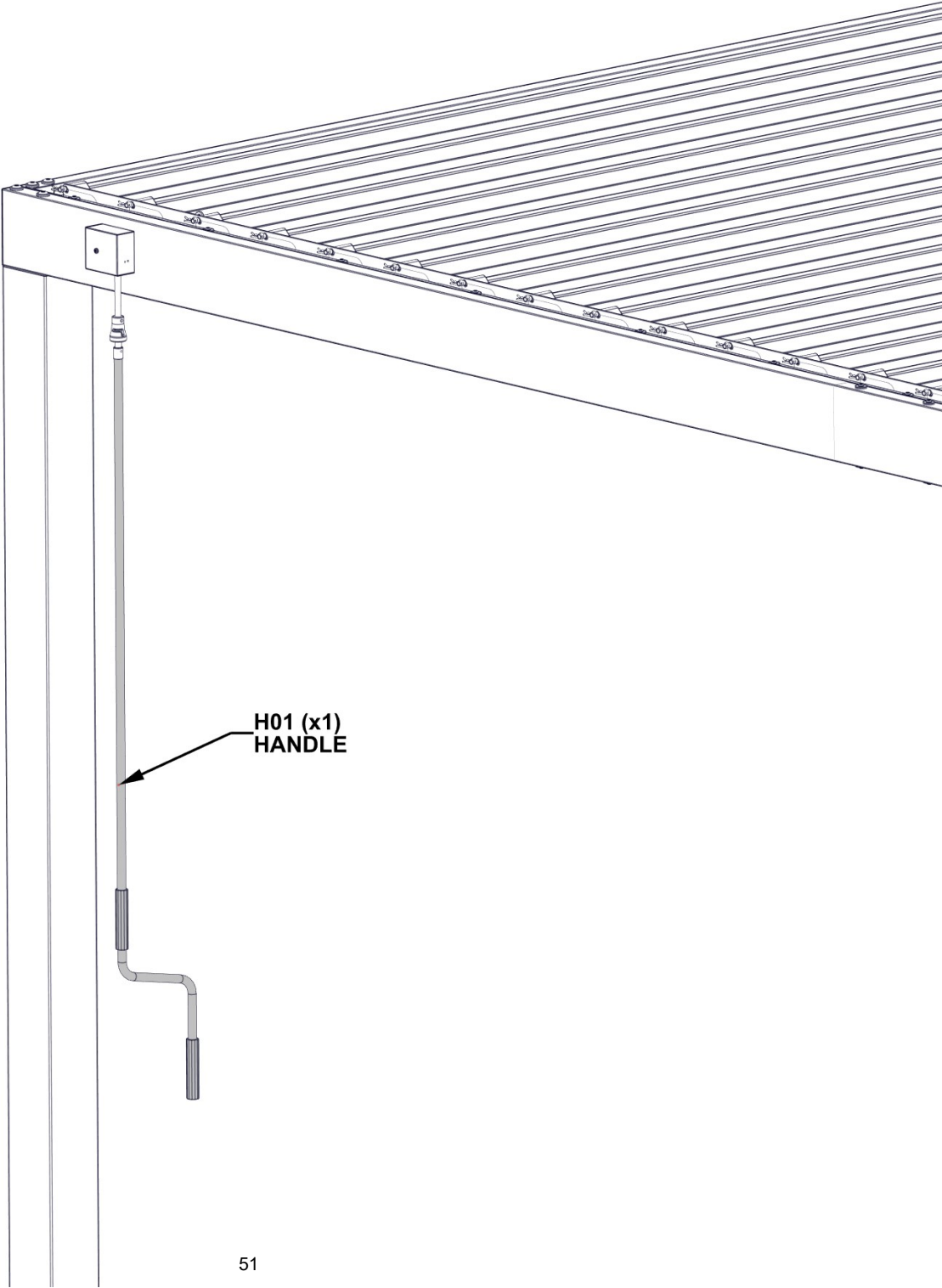


STEP 28C - LOUVER MECHANISM



H01 HANDLE
(x1) A4M04022

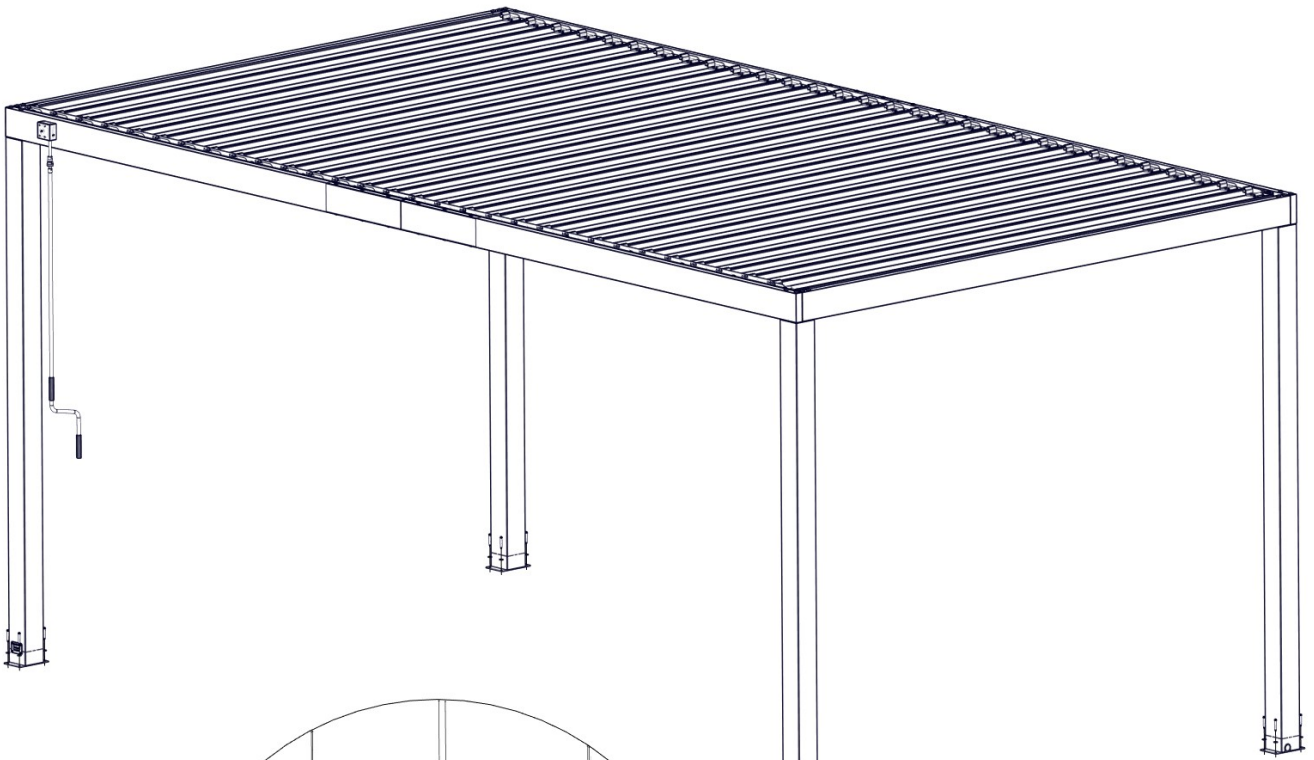
- CONNECT CRANK HANDLE TO MECHANISM.
- TURN HANDLE TO LOCK IN PLACE.



STEP 29 - PERGOLA ANCHORING

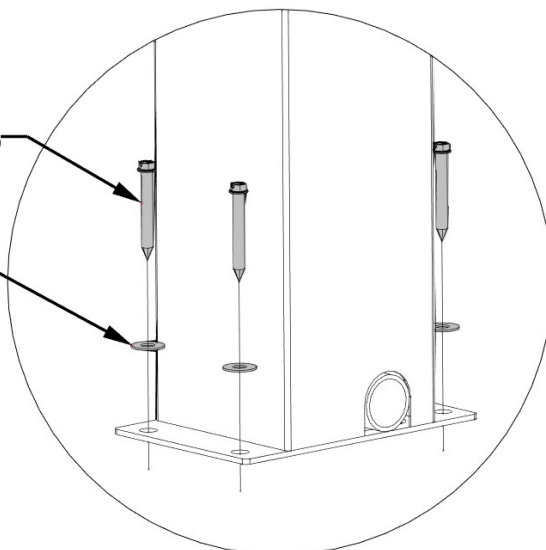
QTY	PART NUMBER	DESCRIPTION
16	H100120	CONCRETE ANCHOR 1/4"x2"
16	H100630	WASHER FLAT 8x19 BLK

- NOTES:**
- MANUFACTURER RECOMMENDS INSTALLATION ON CONCRETE SURFACE OR CONCRETE POST PADS. SEE BELOW.
 - FOR INSTALLATION ON WOOD DECKS, YOU MUST ENSURE THERE IS AMPLE STRUCTURAL SUPPORT UNDER DECK.
 - REPEAT THIS STEP FOR ALL FOUR POSTS.



120 (x16)
CONCRETE SCREW-2"

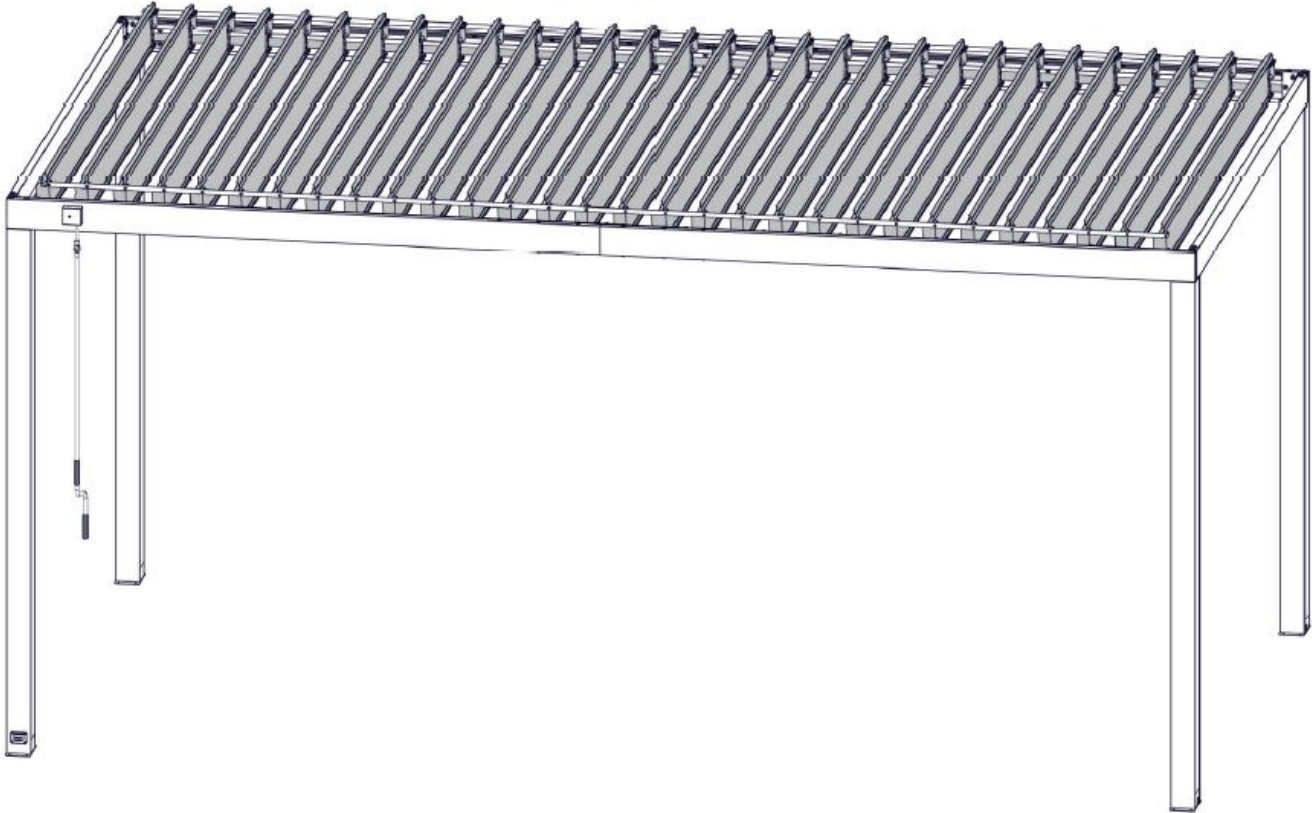
630 (x16)
WASHER - 8x19

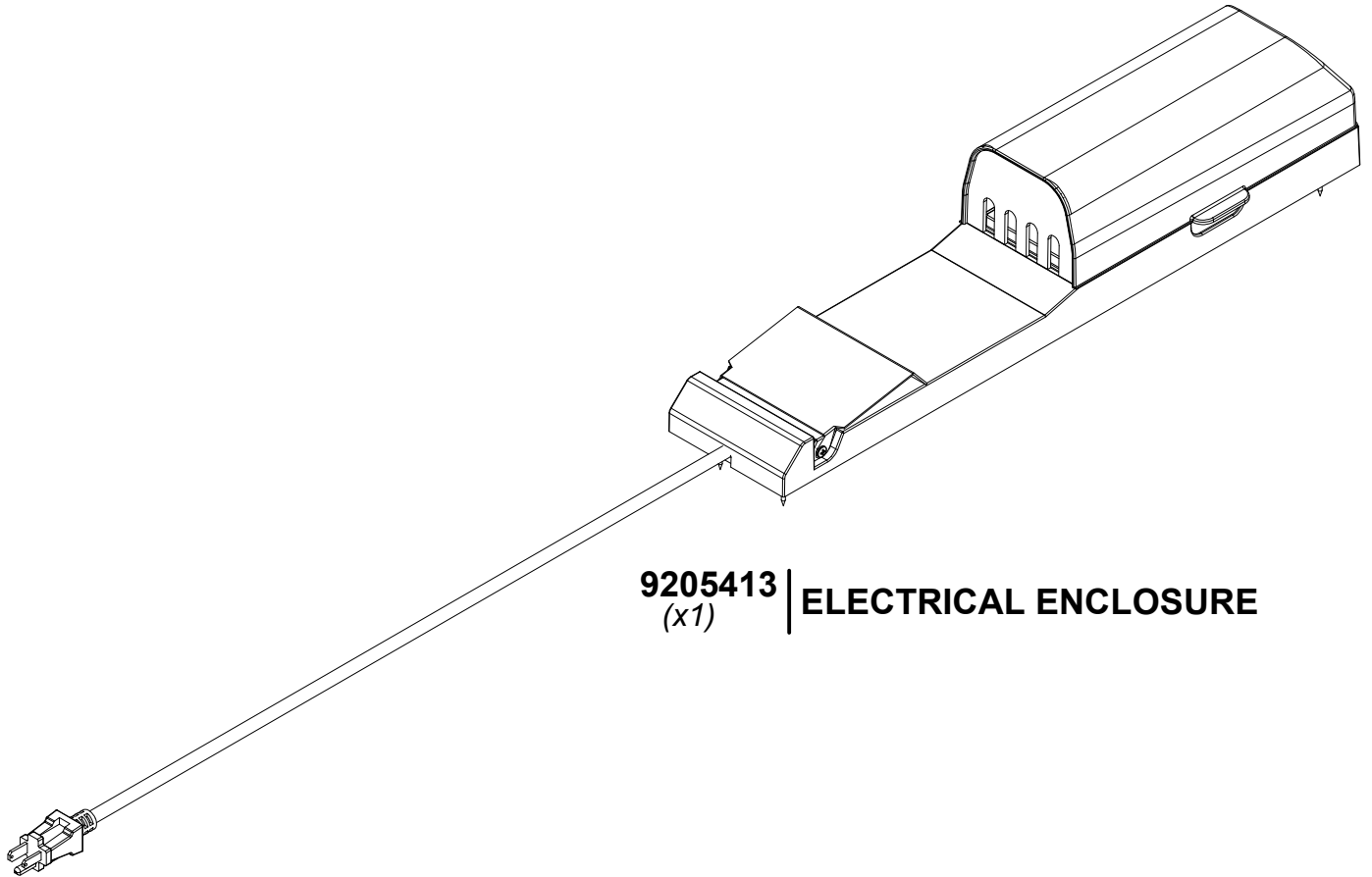


- NOTES:**
- PRE-DRILL HOLES FOR CONCRETE ANCHORS USING A 3/16" [5mm] CONCRETE DRILL BIT

STEP 30 - PREVENTATIVE MAINTENANCE

NOTE - IT IS IMPORTANT TO TAKE CAUTION WHEN HIGH WINDS OR WINTER WEATHER SUCH AS ICE OR SNOW IS EXPECTED. IF INCLEMENT WEATHER ARISES, IT IS RECOMMENDED TO TURN LOUVERS INTO THE FULLY OPEN (UPRIGHT) POSITION. THIS WILL PREVENT DAMAGE TO THE STRUCTURE AND DECREASE THE CHANCES OF STRUCTURE OR LOUVER DAMAGE.





9205413 | **ELECTRICAL ENCLOSURE**
(x1)

FOR POWERPORT INSTALLATION REFER TO ASSEMBLY INSTRUCTIONS THAT COME PACKAGED WITH THE POWERPORT KIT. INSTALL ON ANY EXTERIOR POST THAT IS DESIRED. FOLLOW DIRECTIONS FOR PROPER INSTALLATION.