



BEST CHOICE
PRODUCTS



INSTRUCTION MANUAL

Set of 2 Upholstered
Wood Barstools

! NOTICE

Please retain these instructions for future reference.

- Please do not exceed the weight limitations of this item.
- Do not stand on or use any part of this item as a step ladder.
- Firmly secure all bolts, screws, or knobs before use.
- Reconfirm that all bolts, screws, or knobs are secure every 90 days.
- Fasten screws loosely during initial assembly. Do not firmly tighten the screws until the item is completely assembled.
- Do not use or store this item in the proximity of open flame or flammable/combustible chemicals.
- Be aware that some parts are heavy and have sharp edges.
- Assemble this item on a flat, level, and stable surface for an ideal construction.
- This product is intended for indoor use only.
- If any parts are missing, broken, damaged, or worn, stop using this product until repairs are made and/or factory replacement parts are installed.
- Do not use this item in a way inconsistent with the manufacturer's instructions as this could void the product warranty.
- This product is intended for residential use only.

TOOLS REQUIRED



PHILLIPS
SCREWDRIVER



M4 ALLEN WRENCH
(PROVIDED)



HAMMER/MALLET
(RECOMMENDED)



275 LBS
CAPACITY



2 PERSON
ASSEMBLY



UP TO 30 MIN.
ASSEMBLY

HARDWARE

1

M6 x 50mm
BOLT



12 PCS

2

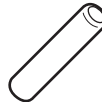
M6 SPRING
WASHER



12 PCS

3

M8 x 30mm
WOOD DOWEL



16 PCS

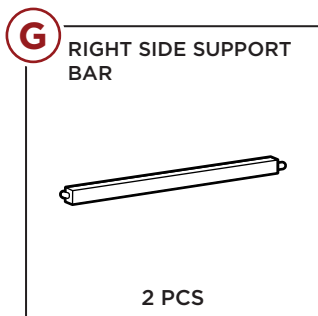
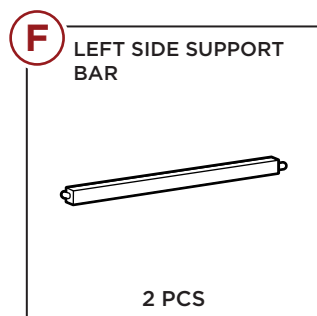
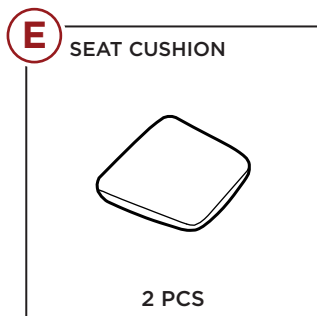
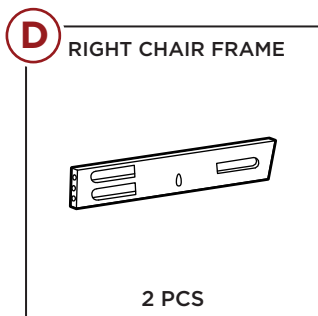
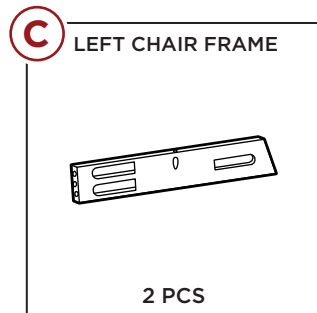
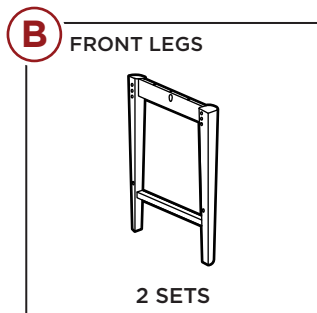
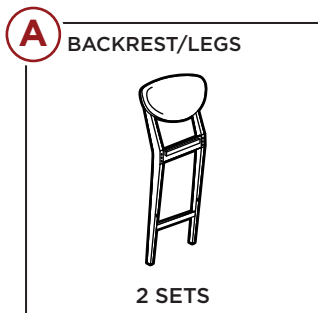
4

M4 x 32mm
SCREW



14 PCS

PARTS

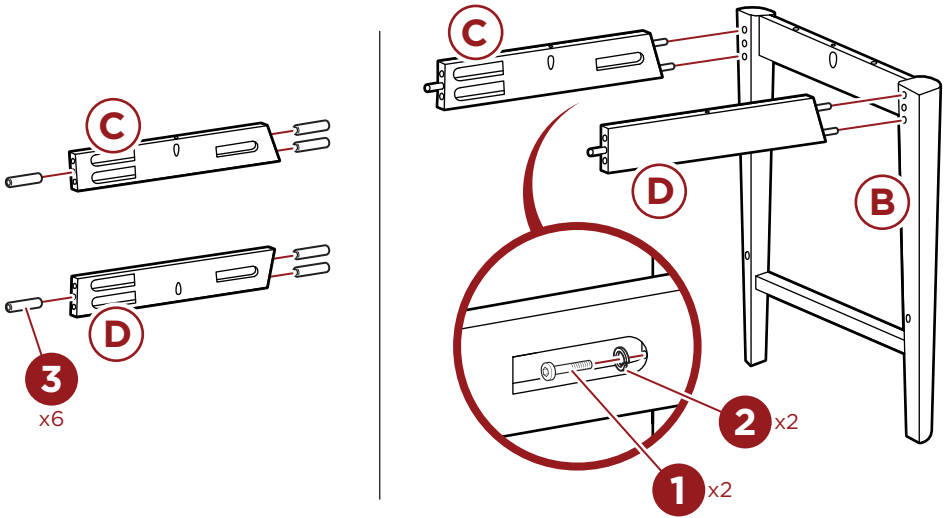


CHAIR ASSEMBLY

1

Insert six **part 3 dowels** into one **part C left chair frame** and one **part D right chair frame**, three dowels per frame, then insert the frames into one **part B front leg set**.

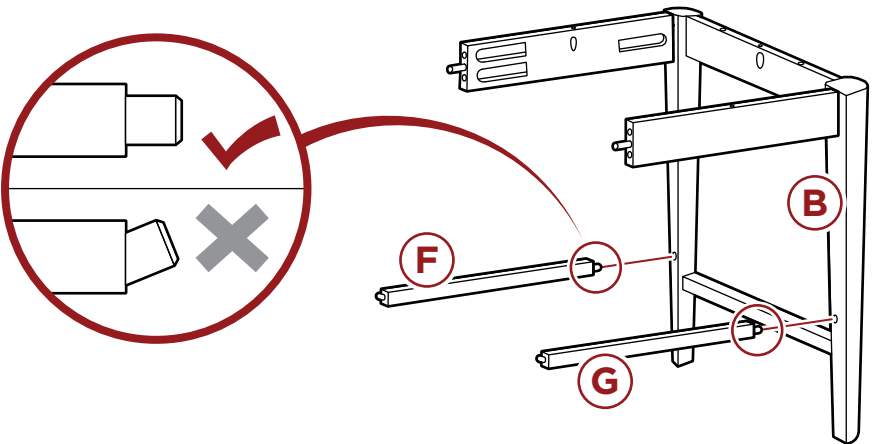
Secure with two **part 1 bolts** and two **part 2 spring washers**, one bolt and one washer per frame.



2

Insert one **part F left side support bar** and one **part G right side support bar** into their respective receivers on the **part B front legs**.

NOTE: Each side support has two fastener tabs, be sure to insert the straight tab into the front leg set.

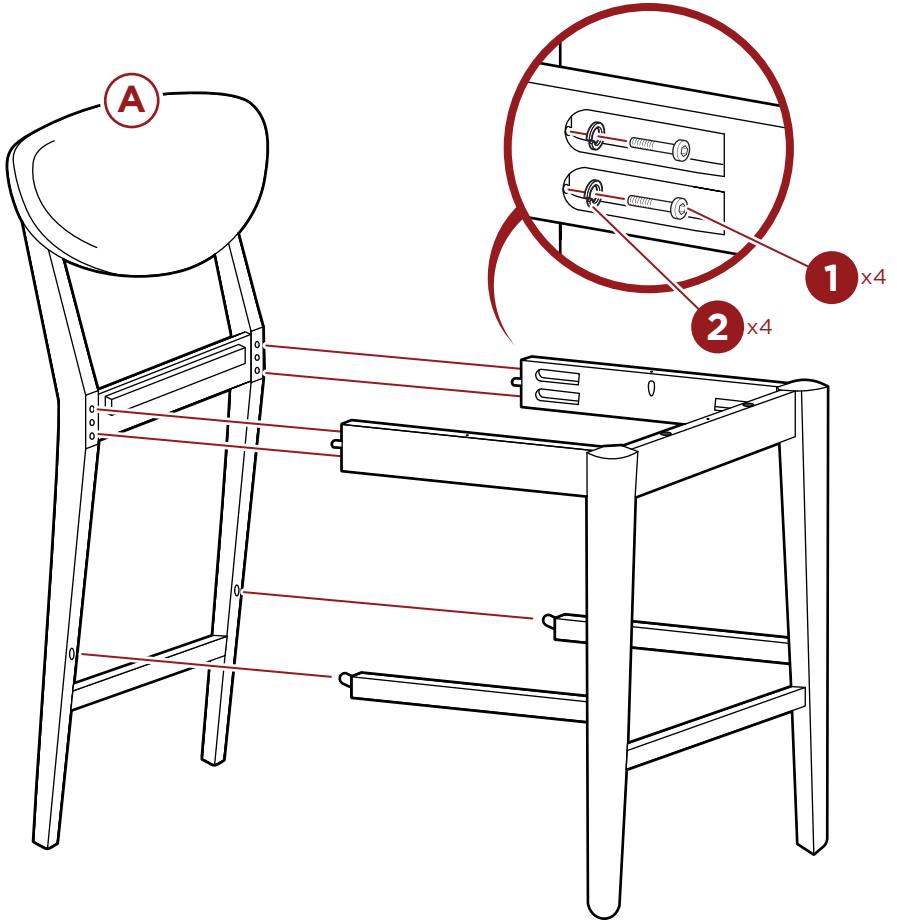


CHAIR ASSEMBLY

3

Attach one **part A backrest/legs** to the chair frame assembly, then secure with four **part 1 bolts** and four **part 2 spring washers**, two bolts and two washers per frame.

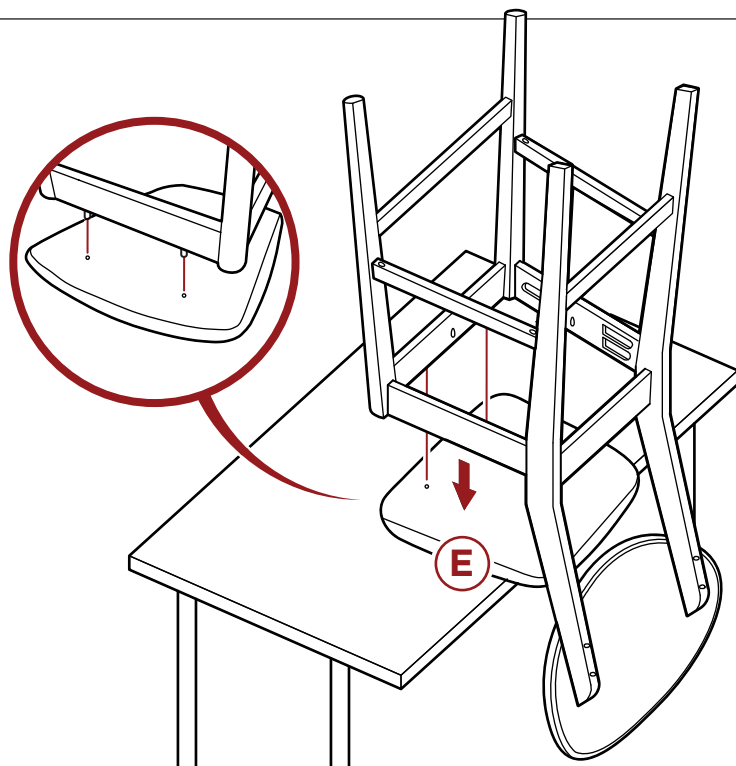
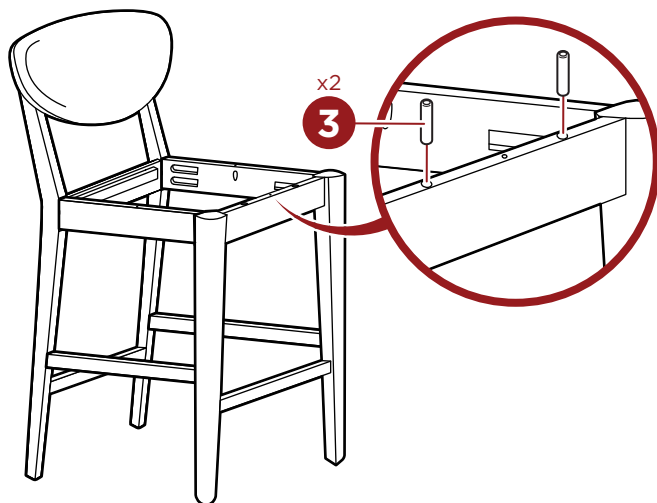
Insert the angled receivers on the back of the **part F** and **part G side support bars** into their respective receivers on the **part A backrest/legs**.



CHAIR ASSEMBLY

4

Insert two **part 3** dowels into the top of the **part B** front leg set, then place the **part E** seat cushion onto a table and flip the chair upside down to press the dowels into the cushion.



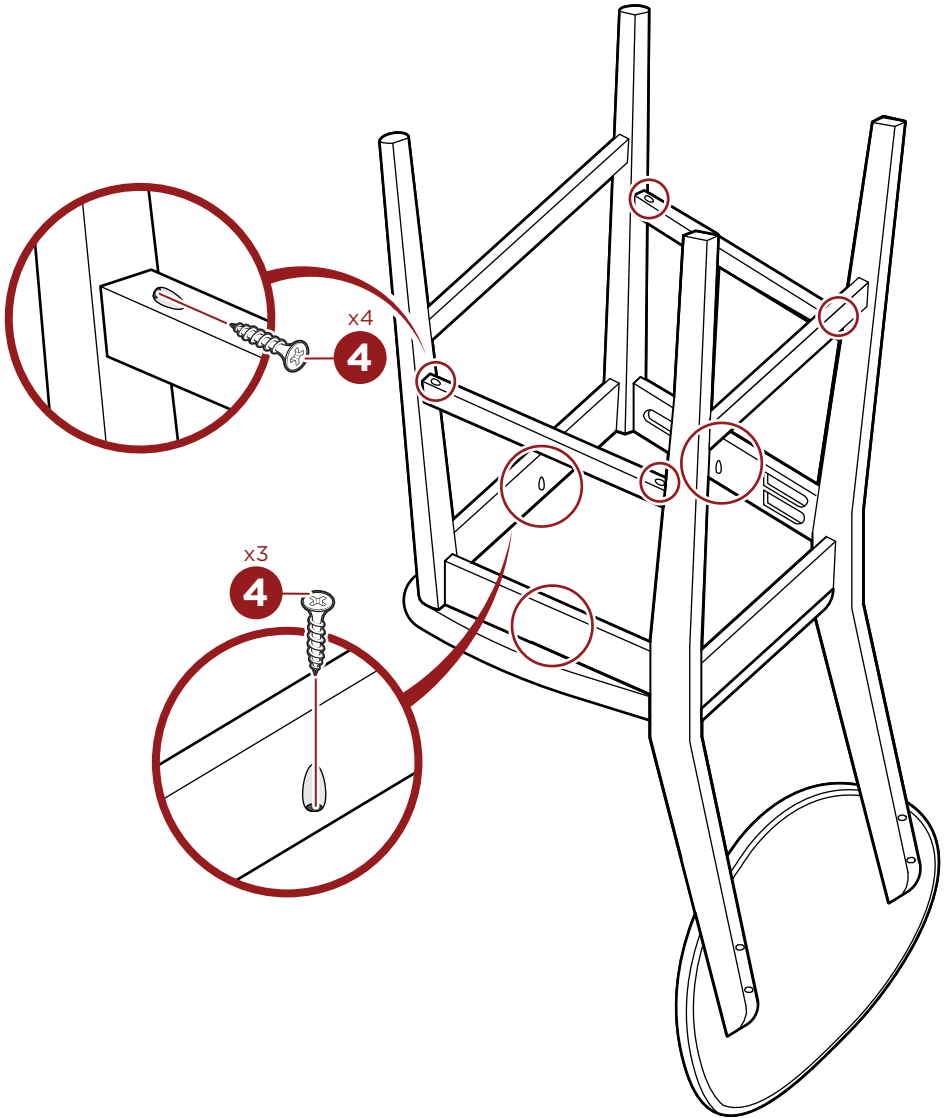
CHAIR ASSEMBLY

5

Secure the **part F** and **part G** side support bars with four **part 4** screws.

Secure the **part E** seat cushion with three **part 4** screws, press hard to pierce the seat lining.

Repeat **steps 1-5** to assemble a second chair and enjoy.





HELP CENTER



Question about your product? We're here to help. Visit us at:

help.bestchoiceproducts.com



Chat Support



Product Inquiry



Orders FAQ



Product Assembly



Returns & Refunds

PRODUCT WARRANTY INFORMATION

All items can be returned for any reason within 60 days of the receipt and will receive a full refund as long as the item is returned in its original product packaging and all accessories from its original shipment are included. All returned items will receive a full refund back to the original payment method. All returned items will not be charged a re-stocking fee.

All returned items require an RA (Return Authorization) number, which can only be provided by a Best Choice Products Customer Service Representative when the return request is submitted. Items received without an RA may not be accepted or may increase your return processing time. Once an item has been received by Best Choice Products, refunds or replacements will be processed within 5 business days.

All returns must be shipped back to the Best Choice Products Return Center at the customer's expense. If the reason for return is a result of an error by Best Choice Products then Best Choice Products will provide a pre-paid shipping label via email. Boxes for return shipping will not be provided by Best Choice Products, and is the customer's responsibility to either use the original shipping boxes or purchase new boxes.

Pictures may be required for some returns to ensure an item is not damaged prior to its return. Items returned are not considered undamaged until they are received by Best Choice Products and verified as such. All damages to items are the customer's responsibility until the item has been received by and acknowledged by Best Choice Products as undamaged.

© Best Choice Products, Inc. All rights reserved. Distributed by Best Choice Products, Inc. Tustin, CA 92780

WARNING

Manufacturer and seller expressly disclaim any and all liability for personal injury, property damage or loss, whether direct, indirect, or incidental, resulting from the incorrect attachment, improper use, inadequate maintenance, unapproved modification, or neglect of this product.