

Location:




S-5401-TRM, S5401TRMTC
Shower Trim
Specification Submittal



Feature Highlights

- Degas Shower Trim
- Requires Temptrol® Pressure Balancing Shower Valve
- Integral volume control
- Metal lever handle
- 1 mode showerhead
- 2.0 gpm (7.6 L/min) flow restrictor
- Tub spout not included
- Components shall be metal and nonmetallic construction, plated in standard Polished Chrome finish
- Available with TA-10 flow control spindle and T-12A cap assembly for Temptrol valve bodies installed with Test Cap (order p/n S5401TRMTC)

Options/Modifications

- 1.5**  **1.5 gpm (5.7 L/min) flow restrictor**
- L1** **Less showerhead**
- STN** **Satin Nickel finish**

Note: Append appropriate -suffix to model number.

Compliance

- ASME A112.18.1/CSA B125.1



Model Numbers

- S-5401-TRM**
Shower Trim with integral volume control, Temptrol Pressure Balancing Shower Valve ordered separately
- S5401TRMTC**
Shower Trim with integral volume control, TA-10 flow control spindle and T-12A cap assembly, must order Temptrol valve with Test Cap

Warranty

Limited Lifetime - to the original end purchaser in consumer/residential installations.
10 Years - for commercial/industrial installations. Refer to www.symmons.com/warranty for complete warranty information.

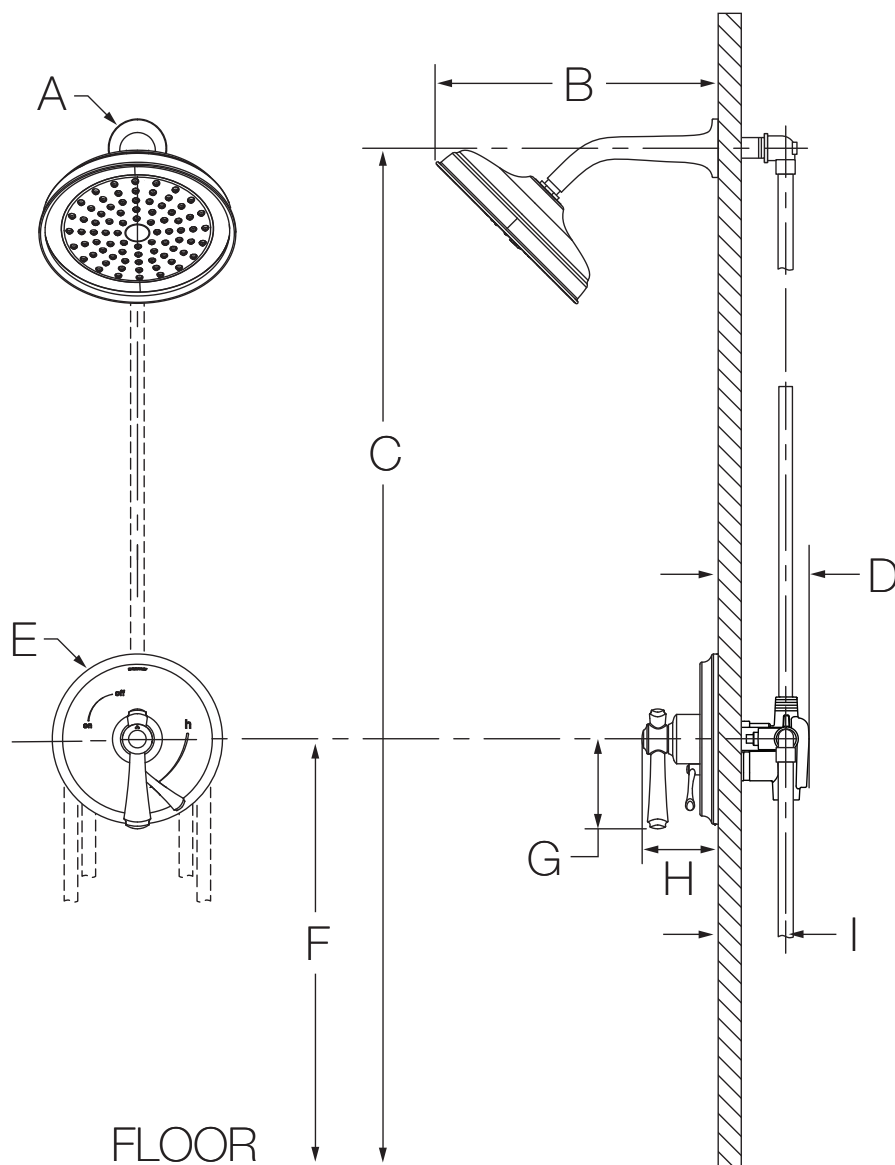


Architectural/ Engineering Specification

Symmons _____ With Degas Trim, requires Temptrol® pressure balancing shower valve, Integral volume control, 1 mode shower head, 2.0 gpm (7.6 L/min) flow restrictor, tub spout not included, components shall be metal and nonmetallic construction, plated in standard Polished Chrome finish, available with TA-10 flow control spindle and T-12A cap assembly for Temptrol valve bodies installed with Test Cap (order p/n 5401TRMTC), for optional in-line vacuum breaker order p/n EF-109. 10 Year commercial Warranty. ASME A112.18.1/CSA B125.1, Complaint. Available options include: "1.5 - 1.5 gpm (5.7 L/min) flow restrictor", "L1 - Less showerhead", "STN - Satin nickel finish".

S-5401-TRM, S5401TRMTC

Dimensions



Measurements	
A	Ø 2-1/2", 64 mm
B	12-1/8", 308 mm
C	Ref. 77", 1956 mm
D	3-1/2", 89 mm
E	Ø 7", 178 mm
F	Ref. 42", 1067 mm
G	3-3/4", 95 mm
H	4-1/4", 108 mm
I	Rough-in 2-3/8" ± 1/2", 60 mm ± 13 mm

Notes:

- 1) Valve body and piping not included and shown as reference only.
- 2) Plaster shield (p/n T-176) for dry wall, plaster or other type walls 1/2" or greater.
- 3) All dimensions measured from nominal rough-in (see I as reference).
- 4) Dimensions subject to change without notice.