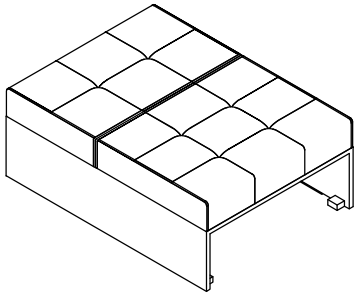


# ASSEMBLY INSTRUCTION

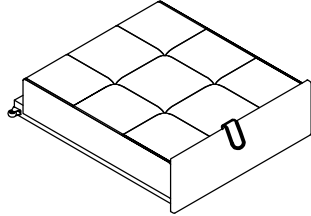
## 3360T CONVERTIBLE OTTOMAN

**A** Sofa



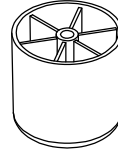
1PC

**B** Trundle



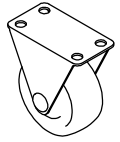
1PC

**C** Sofa Leg



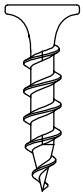
4PCS

**D** Wheel



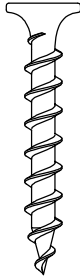
4PCS

**E** Bolt  
M4 X 20mm

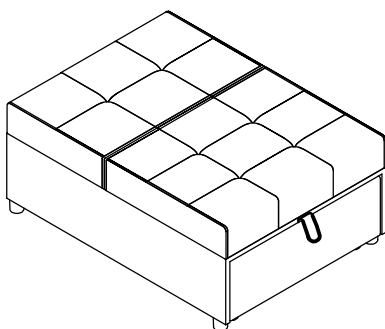


16PCS

**F** Bolt  
M4 X 55mm

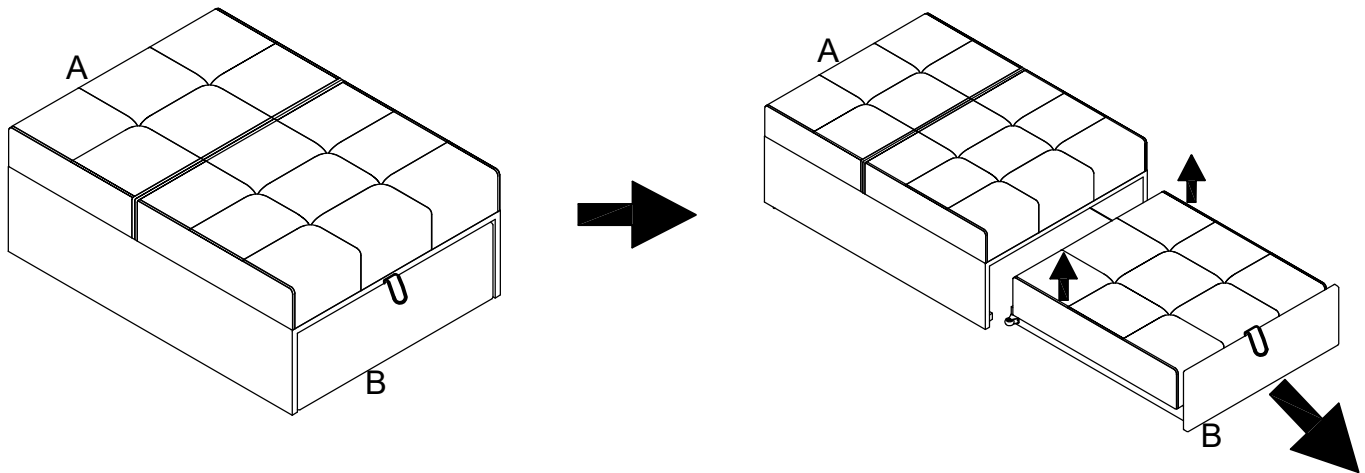


4PCS

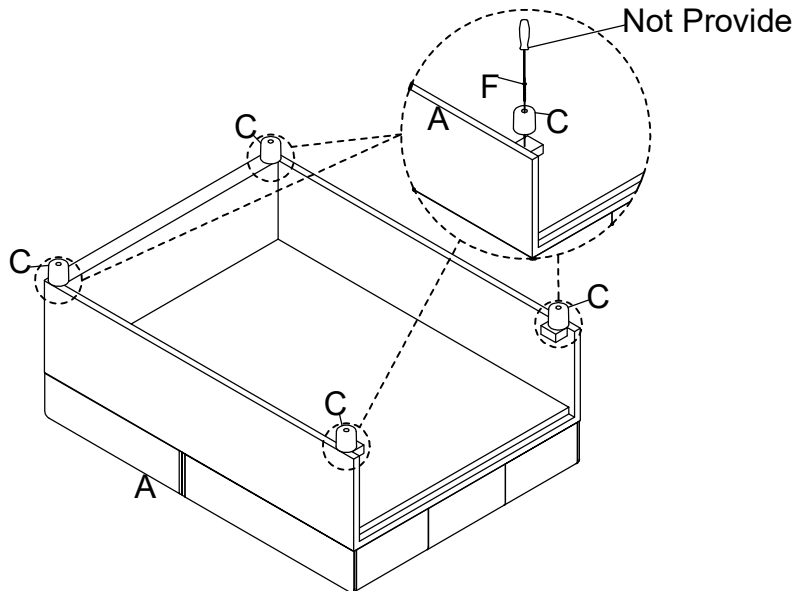


This page lists all the contents included in the box. Please take the time to identify the hardware as well as the individual components to this product. As you unpack and prepare for assembly, place the contents on a carpeted or padded area to protect them from damage.

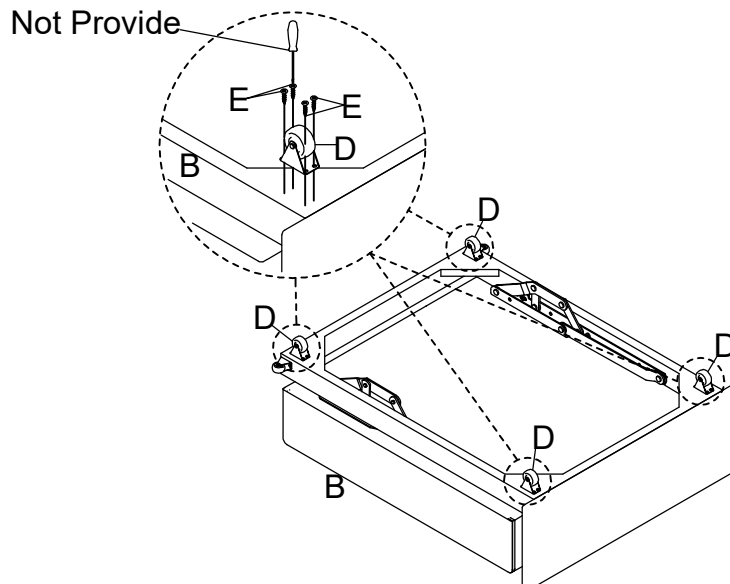
**1** Push out the Trundle (B) from the Sofa (A).



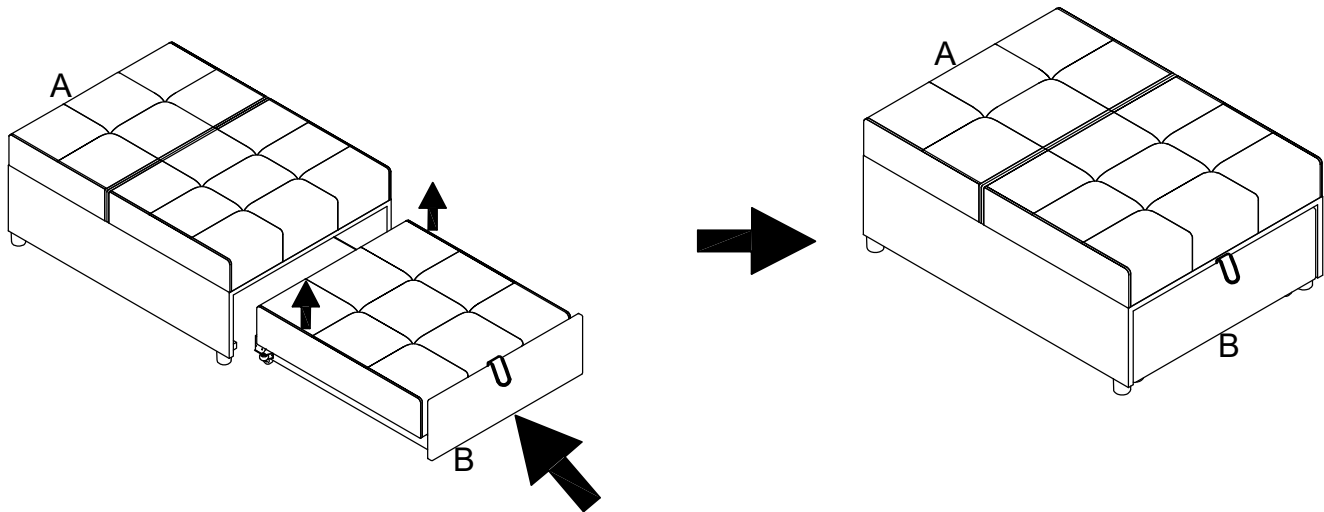
**2** Turn over the Sofa (A), attach the Sofa Leg (C) to the Sofa (A), insert the Bolt (F), turn the screwdriver to tighten them.



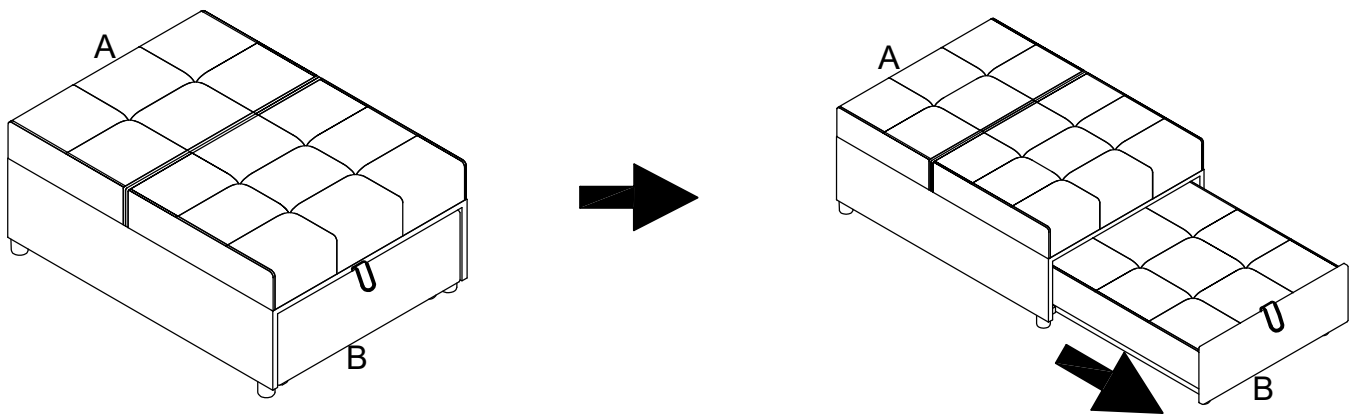
**3** Turn over the Trundle (B), attach the Wheel (D) to the Trundle (B), insert the Bolt (E), turn the screwdriver to tighten them.



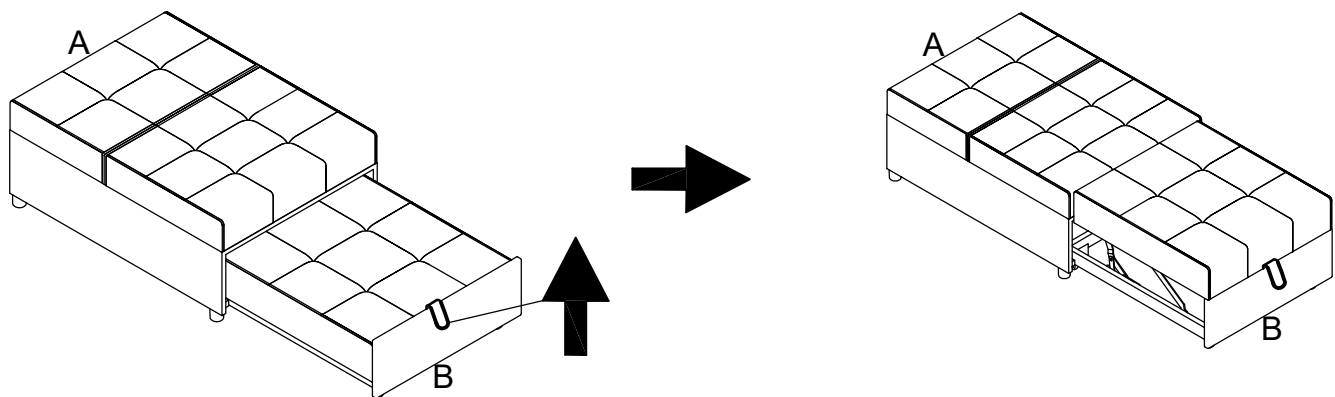
**4** Insert the assembled Trundle (B) to the Sofa (A).



**5** Push out the Trundle (B).

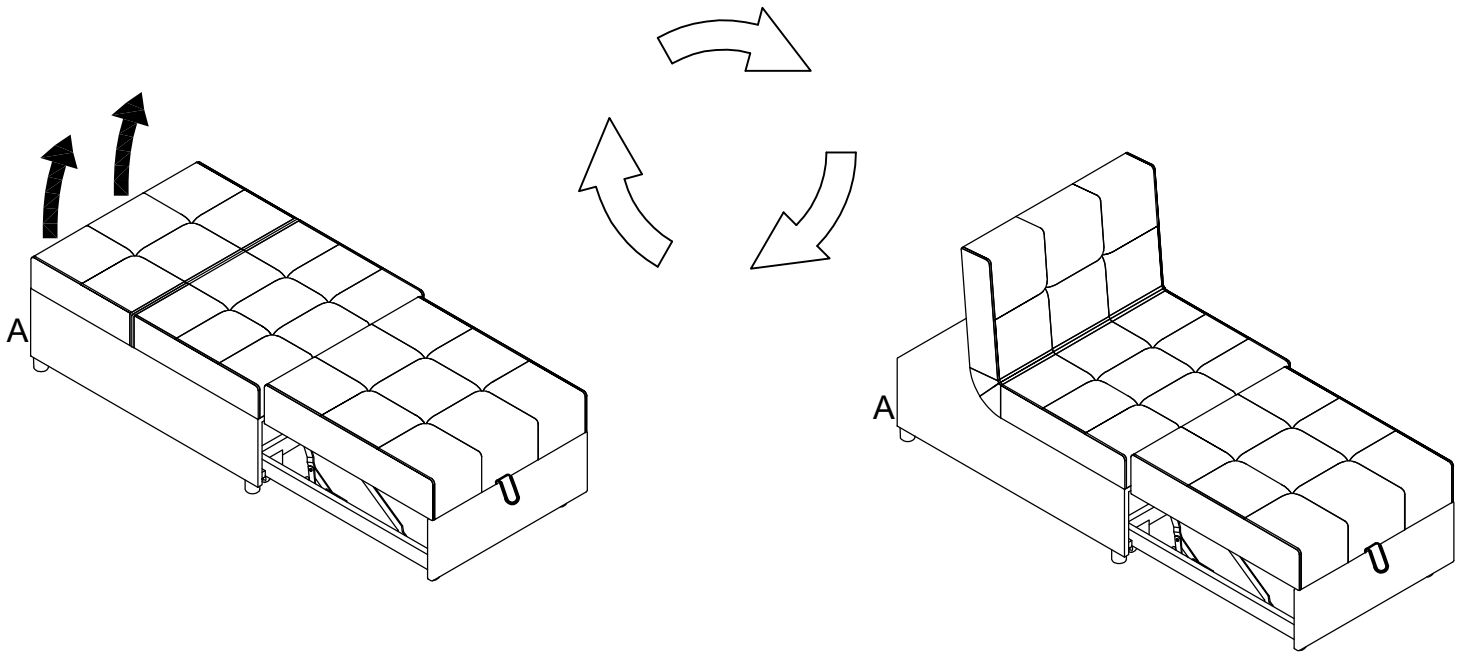
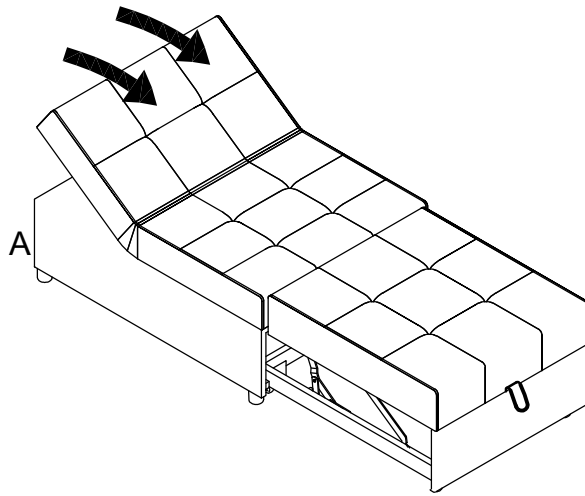


**6** Pull up the tie in order to raise up the Trundle (B).



**7**

Push Sofa (A) back to the end of front position, then pull down the back to the flat position.



## Cleaning & Care

Treat surface with care. Surface is resistant to scratches but is not scratch resistant. Clean surfaces with a dry or damp soft cloth. Do not use abrasive cleaners. Hardware may loosen over time. Periodically check that all connections are tight.