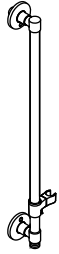


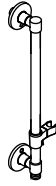
Installation and Care Guide

Shower Column

K-45903



K-45904

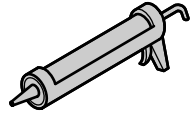
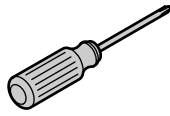
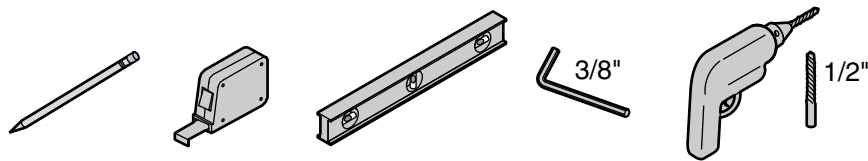


M product numbers are for Mexico (i.e., K-12345M)
Los números de productos seguidos de
M corresponden a México (Ej.
K-12345M)
Français, page "Français-1"
Español, página "Español-1"

THE BOLD LOOK
OF **KOHLER**®

1188076-2-B

Tools and Materials



Phillips
Screwdriver

Sealant Tape

100% Silicone Sealant

Before You Begin

NOTE: This guide includes the installation sequence for the shower column only. Install the mixing valve, mixing valve trim, and spout according to the manufacturer's instructions.

NOTICE: Risk of product damage. Do not apply excessive weight or downward force to the shower column.



CAUTION: Risk of property damage. Water leakage may occur if supply piping allows movement. Ensure the supply piping and 1/2"-14 NPT elbow fitting are securely fastened to braces in the stud framing.

NOTE: The hose and handshower are purchased **separately**.

- Please read all instructions before you begin.
- Observe all local plumbing and building codes.
- Shut off the water supply.
- Inspect the existing supply piping and wall materials. Replace if necessary.
- The shower column is supplied with toggle anchor fasteners for installation onto a finished wall surface. The finished wall thickness must be a minimum of 5/8" (16 mm) and must be adequate in strength. Two toggle anchor fasteners are required per mounting collar.

Before You Begin (cont.)

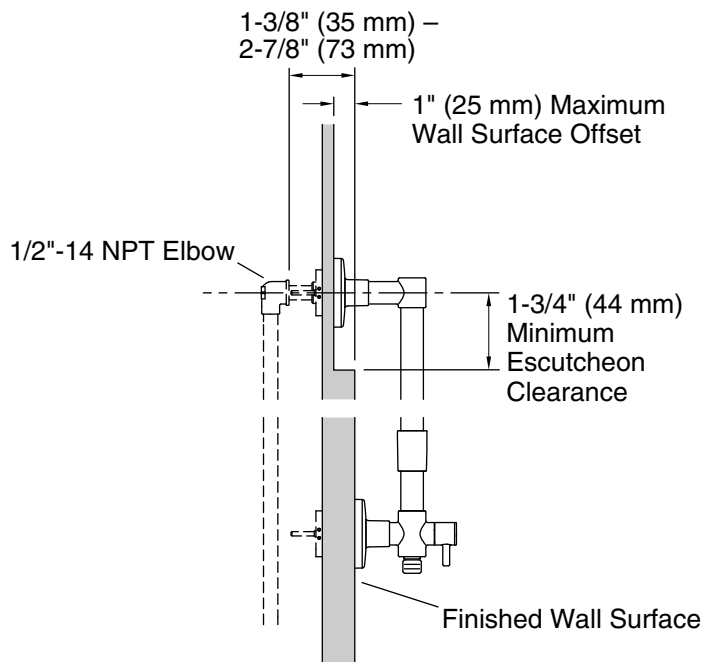
IMPORTANT! If the supplied toggle anchor fasteners are **not** used to install the shower column:

- Ensure that adequate strength wall backing materials and stud bracing are properly positioned behind the finished wall.
- Obtain proper fasteners (not provided) taking into account the type of stud bracing material and thickness of the mounting collar, finished wall, wall backing, and stud bracing.
- Fasteners must be corrosion-resistant and capable of 300 lbs (136 kg) load bearing per fastener.
- A minimum of two fasteners are required per mounting collar.
- Fasteners must be securely anchored into the stud bracing to adequately support the product.

IMPORTANT! For retrofit/remodel installations: Check the existing shower enclosure for adequate clearances before proceeding with the shower column installation. Refer to the Roughing-in for the shower column.

Verify the distances between:

- The center of the existing shower arm and the center of the mixing valve trim.



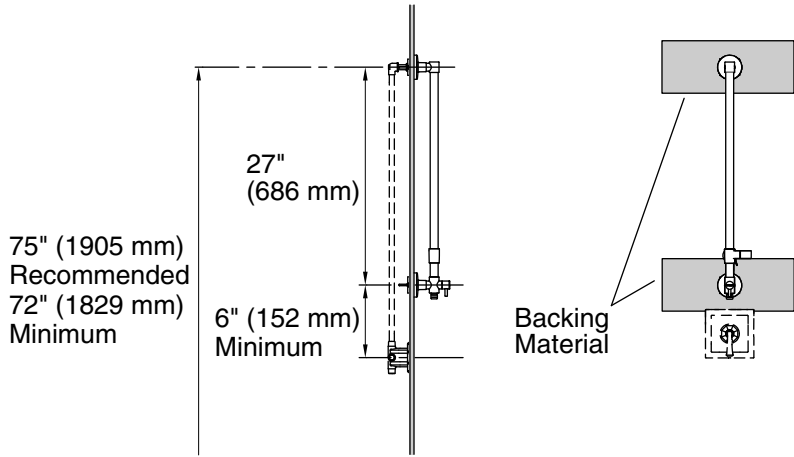
Roughing-In - Upper Supply Connection

- Measure the distance between the 1/2"-14 NPT elbow and the finished wall surface. The distance must be between 1-3/8" (35 mm) and 2-7/8" (73 mm).

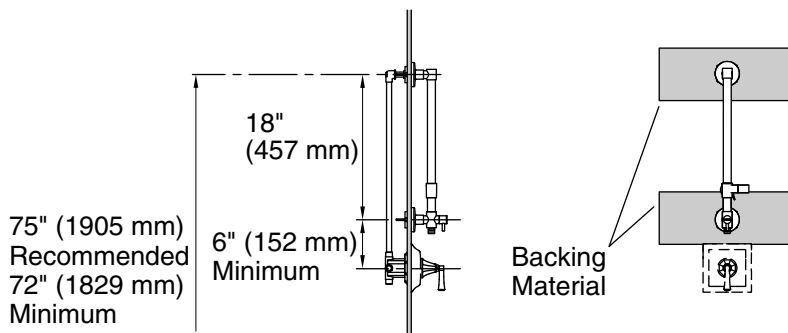
IMPORTANT! The shower column connection will not seal properly if the distance exceeds 2-7/8" (73 mm); see below for the required deep roughing-in kit.

- **If the distance is between 2-7/8" (73 mm) and 4" (102 mm):**
Order the 1194630 Deep Roughing-in Kit.
- **If the distance is less than 1-3/8" (35 mm):** Order the 1187917 Shallow Roughing-in Kit.

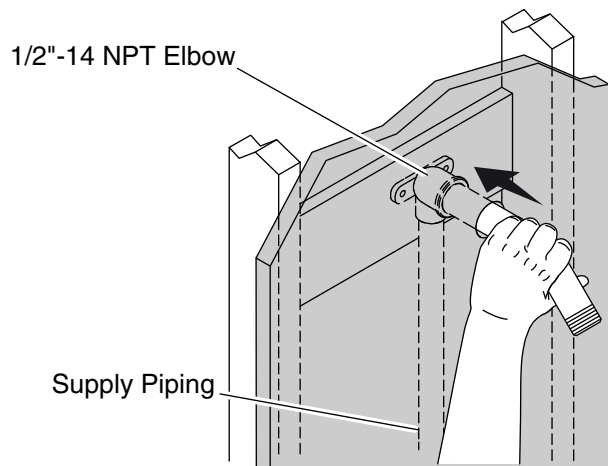
K-45903 (Less Handshower and Hose)



K-45904 (Less Handshower and Hose)



Roughing-In



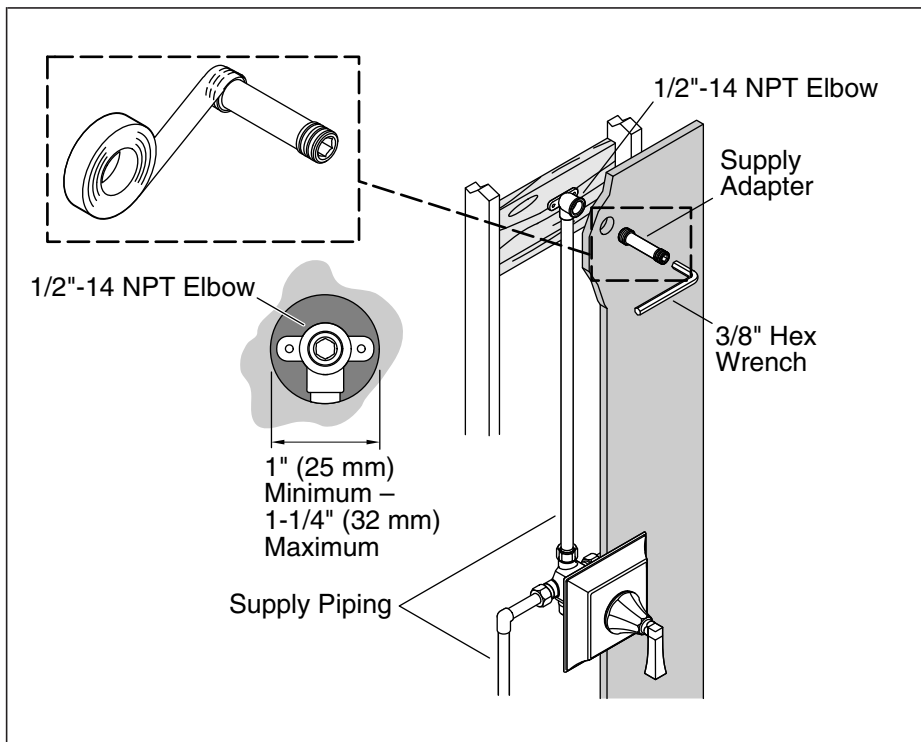
1. Retrofit/Remodel Installation



CAUTION: Risk of property damage. Water leakage may occur if supply piping allows movement. Ensure the supply piping and 1/2"-14 NPT elbow fitting are securely fastened to braces in the stud framing.

IMPORTANT! Check the existing shower enclosure for adequate clearances as described in section "Before You Begin."

- Remove the existing showerhead and shower arm escutcheon.
- Carefully push the existing shower arm toward the finished wall surface.
- Check for inward movement of the supply piping.
- If inward movement is possible, securely fasten the supply piping to braces in the stud framing before beginning the shower column installation.
- Remove the existing shower arm.
- Measure the existing shower arm hole. Ensure that the finished wall material has an upper supply connection hole diameter between 1" (25 mm) minimum and 1-1/4" (32 mm) maximum, and the hole is centered on the outlet of the 1/2"-14 NPT elbow fitting. Repair the wall surfaces if the existing shower arm hole is not centered or exceeds the recommended dimensions.



2. Install the Supply Adapter

For New Construction Installations



CAUTION: Risk of property damage. Water leakage may occur if supply piping allows movement. Ensure the supply piping and 1/2"-14 NPT elbow fitting are securely fastened to braces in the stud framing.

IMPORTANT! This guide includes the installation sequence for the shower column only. Refer to the manufacturer's instructions for installation of the mixing valve, mixing valve trim, and spout.

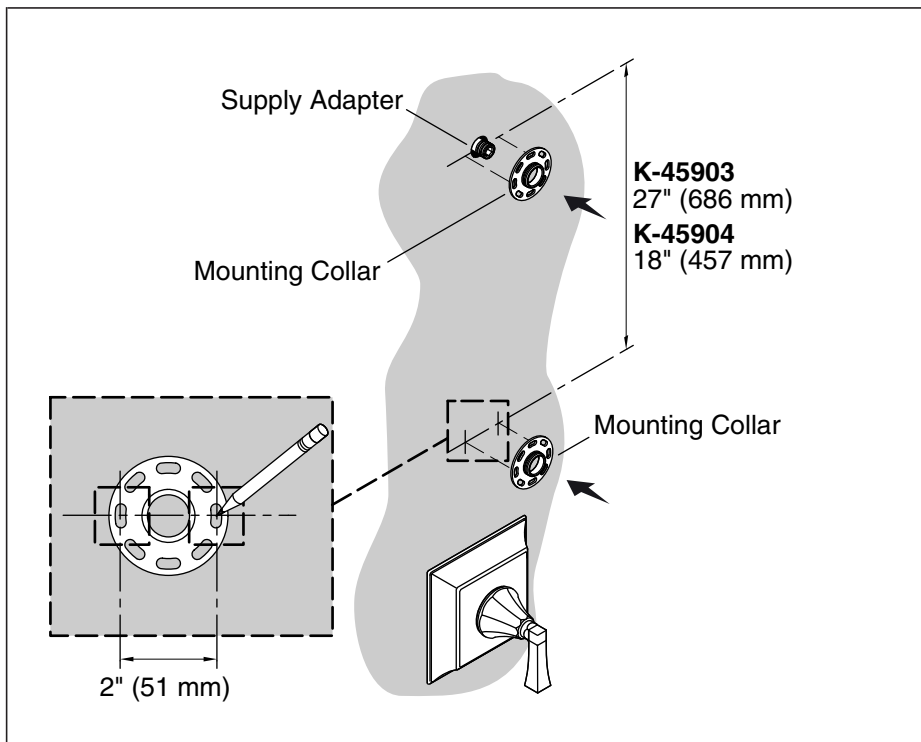
- Rough-in the mixing valve, supply piping, and bath spout connection appropriate for your installation.
- Refer to the "Roughing-in" section in this guide for proper location of the 1/2"-14 NPT elbow fitting inside the wall.
- Ensure that the supply piping and 1/2"-14 NPT elbow fitting are securely fastened to the stud framing.

Install the Supply Adapter (cont.)

- Ensure that the finished wall material has an upper supply connection hole diameter between 1" (25 mm) minimum and 1-1/4" (32 mm) maximum, and the hole is centered on the outlet of the 1/2"-14 NPT elbow fitting.
- **If your supply connection hole diameter is between 1-1/4" (32 mm) and 2-1/4" (57 mm):** Order the 1194302 Large Escutcheon/Mounting Collar Kit.
- Install the finished wall material.
- Install the mixing valve trim and bath spout according to the manufacturer's instructions.

For New Construction and Retrofit Installations

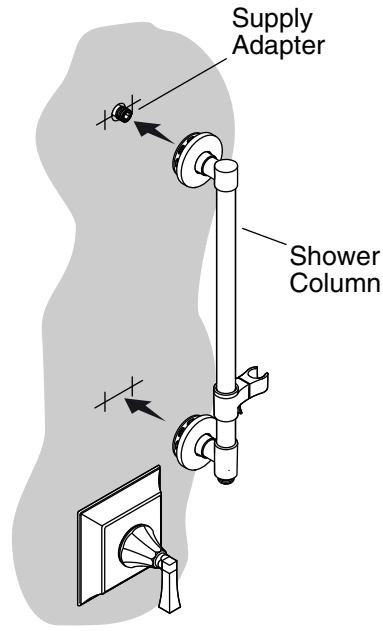
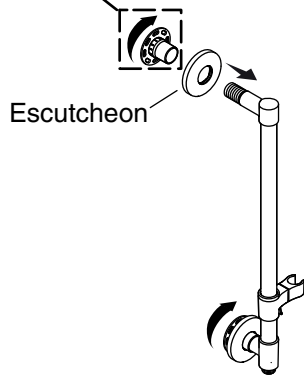
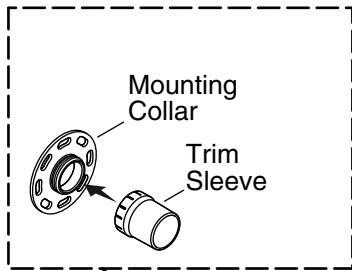
- Apply sealant tape to the supply adapter thread.
- The supply adapter has an internal 3/8" hex socket. Thread the supply adapter into the 1/2"-14 NPT elbow using a 3/8" hex wrench.



3. Mark the Mounting Hole Locations

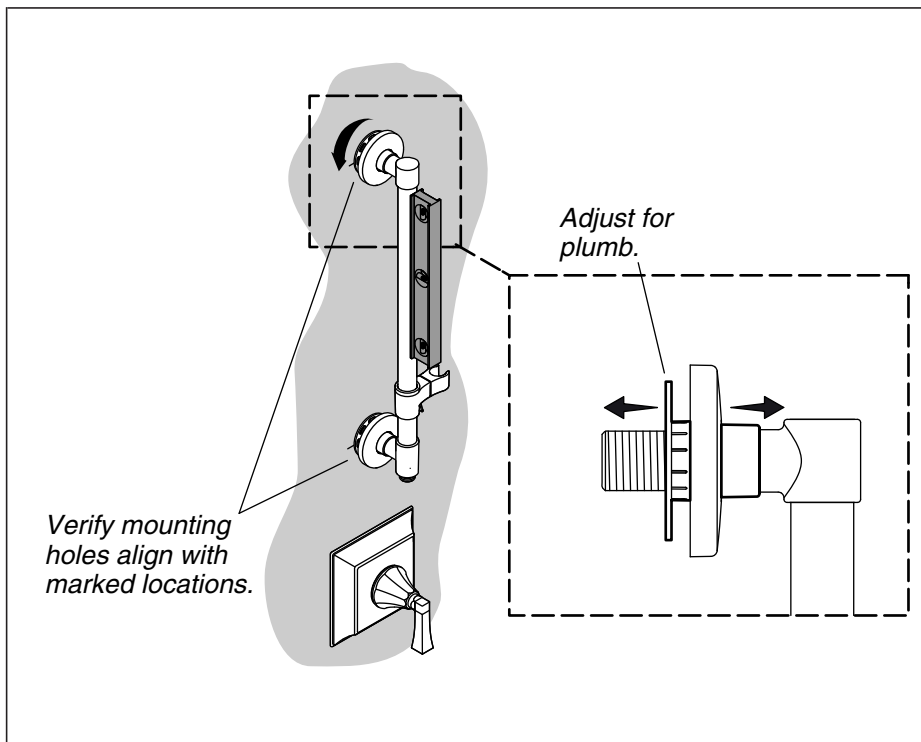
NOTE: The upper mounting collar must be centered on the supply adapter. The distance between the upper and lower mounting collar centers should be 18" (457 mm) or 27" (686 mm) depending on the length of your shower column.

- ❑ Center the mounting collar on the supply adapter. Mark the left and right mounting holes.
- ❑ **For K-45903 only:** From the center of the supply adapter, measure down 27" (686 mm) and mark the horizontal measurement with a pencil.
- ❑ **For K-45904 only:** From the center of the supply adapter, measure down 18" (457 mm) and mark the horizontal measurement with a pencil.
- ❑ Center the mounting collar on the horizontal line. Measure and mark the left and right mounting holes. Ensure the upper and lower mounting hole locations are level and plumb to one another.
- ❑ **Do not** drill the mounting holes until instructed to do so.



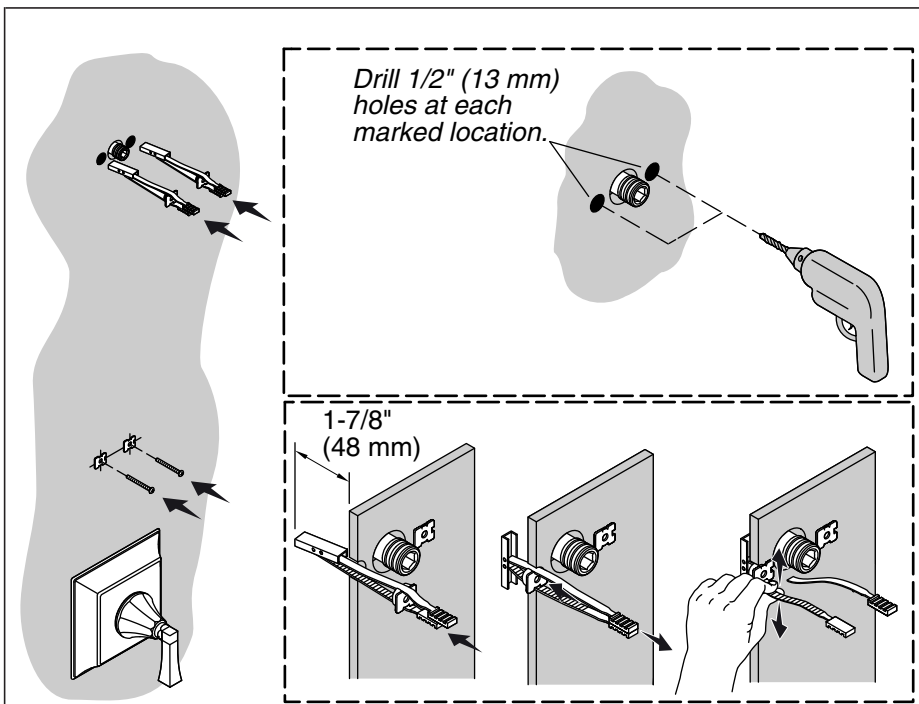
4. Dry Fit the Shower Column

- Snap a trim sleeve onto each mounting collar.
- Verify that an O-ring is installed in each escutcheon.
- Carefully slide an escutcheon onto the upper connection assembly.
- Thread a mounting collar onto the upper connection assembly.
- Repeat steps for the lower mounting collar and escutcheon.
- Carefully slide the shower column onto the supply adapter.
- Ensure the lower mounting collar is tight against the finished wall.
- Proceed to the "Plumb the Shower Column" section.



5. Plumb the Shower Column

- Using a level, check the position of the shower column to ensure it is plumb.
- The upper mounting collar is adjustable to account for plumb and wall surface offset. Turn the mounting collar until the shower column is plumb.
- Verify that the mounting collar slots align with the pencil markings on the finished wall. Make any adjustments as needed.
- Remove the shower column from the supply adapter.



6. Install with Anchors

IMPORTANT! If the supplied toggle anchor fasteners are **not** used, refer to "Before You Begin" for fastener requirements.

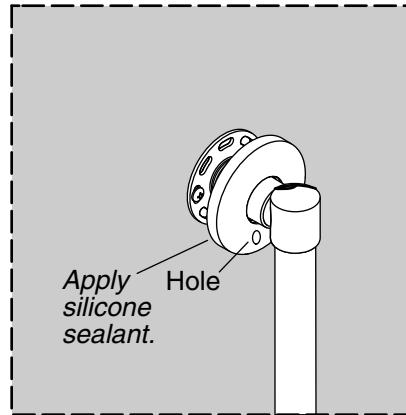
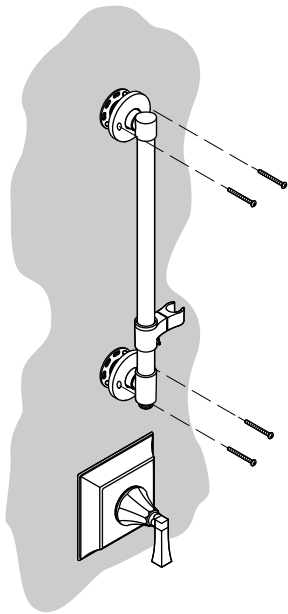
NOTE: Anchor installation requires 1-7/8" (48 mm) minimum clearance behind the wall. The finished wall thickness must be a minimum of 5/8" (16 mm) and must be adequate in strength.

Install the Anchors

- Drill two 1/2" (13 mm) diameter holes for each mounting collar at the pencil markings on the finished wall.
- Hold the metal channel of the anchor flat alongside the plastic straps and slide the channel through the drilled holes.
- Realign the handles of the straps to straighten the channel behind the wall.
- With one hand, pull the finger grips straight out (do not pull at an angle) so that the metal channel rests flush behind the wall.
- Slide the clip along the straps with your other hand until the flange of the clip is flush with the wall.

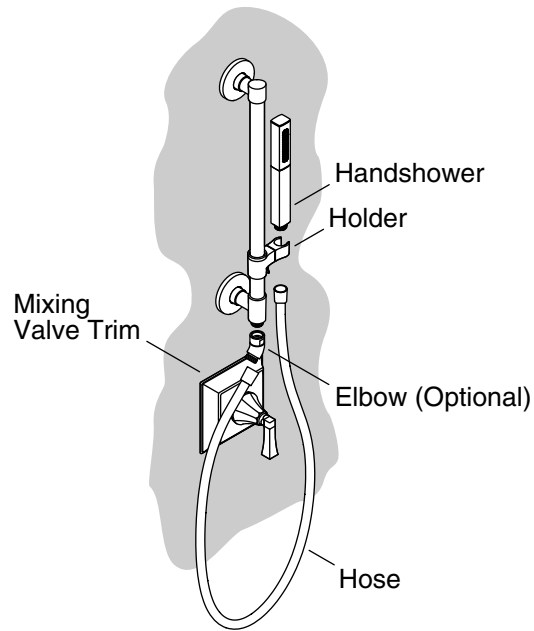
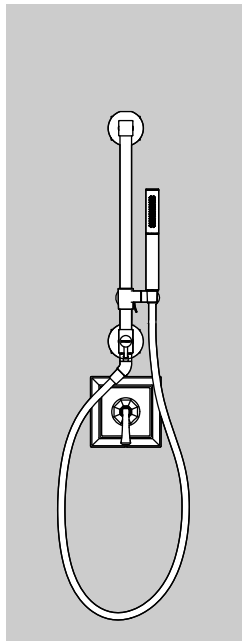
Install with Anchors (cont.)

- Place your thumb between the plastic straps. Wiggle the straps up and down until they snap off at the wall.
- Align the mounting collar with the anchor clips.
- Insert the bolt through the mounting collar and tighten until it is flush with the wall.



7. Secure the Shower Column

- Reinstall the shower column to the supply adapters.
- Rotate the top escutcheon until the hole aligns with the screw hole. Thread the screw into place. Repeat for the second screw.
- Rotate the bottom escutcheon until the hole aligns with the screw hole. Thread the screw into place. Repeat for the second screw.
- Install a plug button in the hole in each escutcheon.
- Rotate each escutcheon so the plug button is located behind the shower rail.
- Apply a bead of silicone sealant to the back edge of each escutcheon.
- Slide the escutcheons over the mounting collars and press the escutcheons tight against the finished wall.
- Wipe away any excess silicone sealant from the escutcheons and finished wall.



8. Install the Handshower

NOTE: Elbow installation is optional and allows the hose to drape around the mixing valve trim. The shower hose can also be installed directly onto the shower column if desired.

- With the gasket installed, thread the elbow onto the bottom of the shower column.
- With the gasket installed, thread the check valve end of the shower hose to the elbow.
- Position the handshower holder and the elbow opposite each other. This allows the hose to drape around the mixing valve trim.
- Thread the hose through the holder.
- With the screen washer installed, thread the hose to the handshower.
- Place the handshower into the holder.
- Turn on the water.
- Check for leaks.