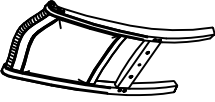
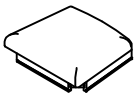









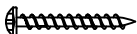
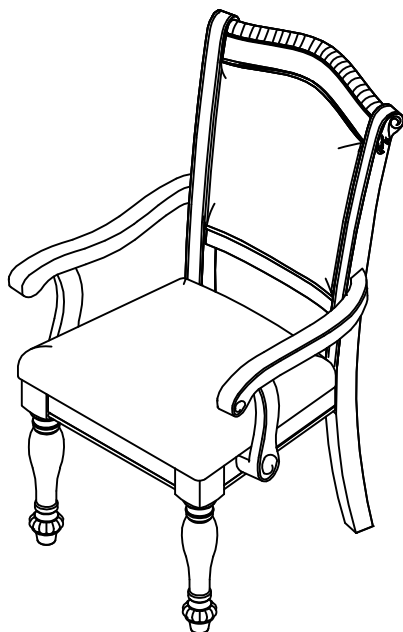


ASSEMBLY INSTRUCTION

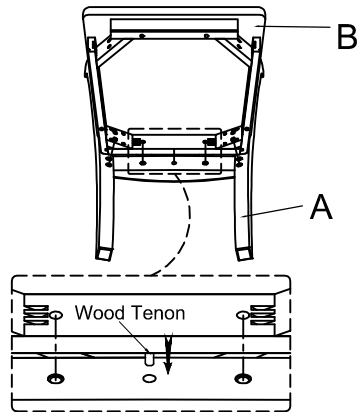
5473A BROWN PU ARM CHAIR

A Chair Back	B Cushion Seat	C Left Front Leg	D Right Front Leg
			
1pc	1pc	1pc	1pc
E Arm(L+R)	F Bolt Ø5/16"x2-3/8"	G Lock Washer Ø5/16"	H Flat Washer Ø5/16" x 19MM
			
2pcs	4pcs	14pcs	14pcs
I Allen Key M4	J Bolt Ø5/16"x1-3/4"	K Bolt Ø5/16" x 3"	L Screw Ø8xØ4x 45mm
			
1pc	6pcs	4pcs	2pcs

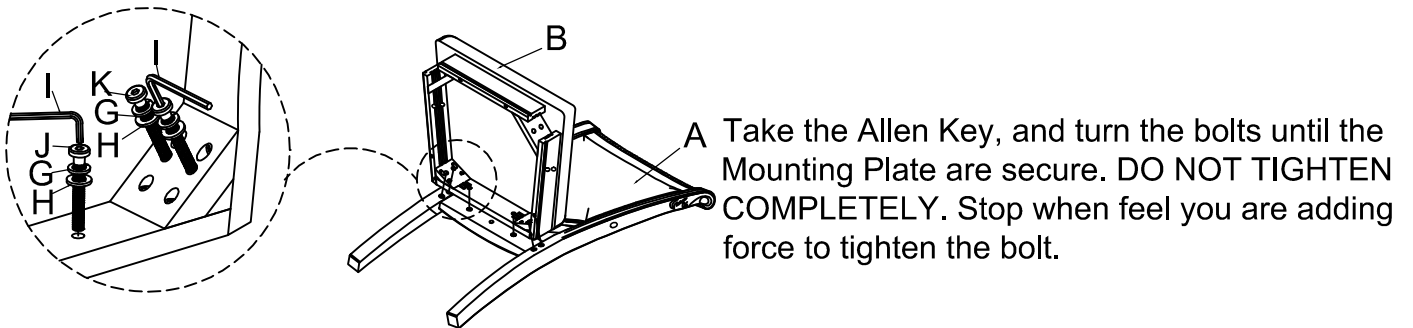


This page lists all the contents included in the box. Please take the time to identify the hardware as well as the individual components to this product. As you unpack and prepare for assembly, place the contents on a carpeted or padded area to protect them from damage.

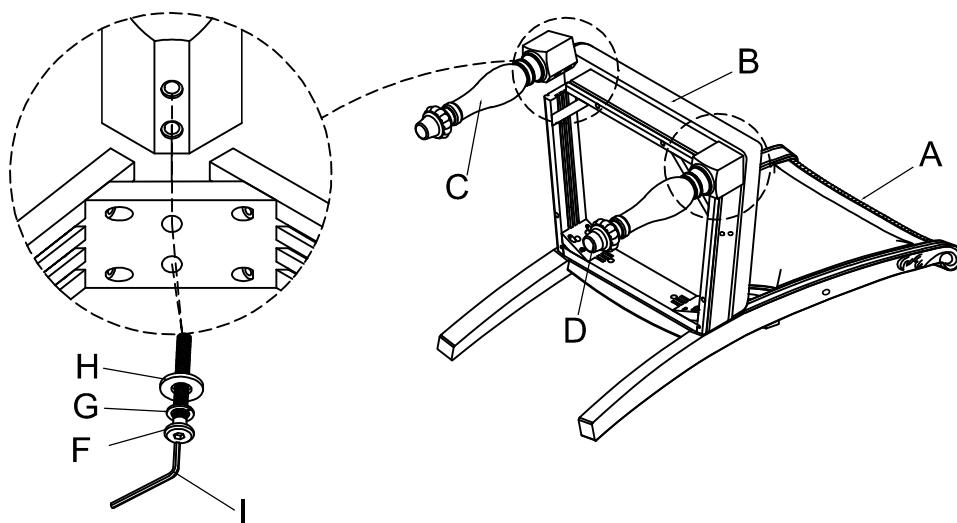
1 Place the Chair Back (A). Tighten the Cushion Seat(B) on the face by Wood Tenon .



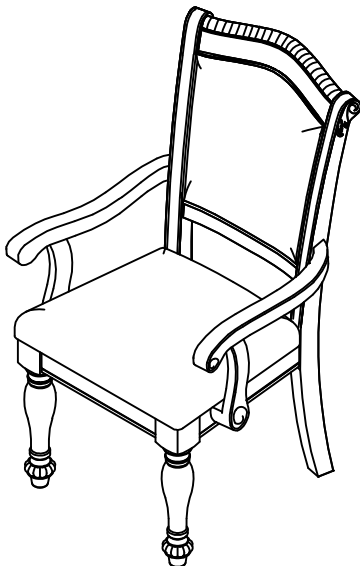
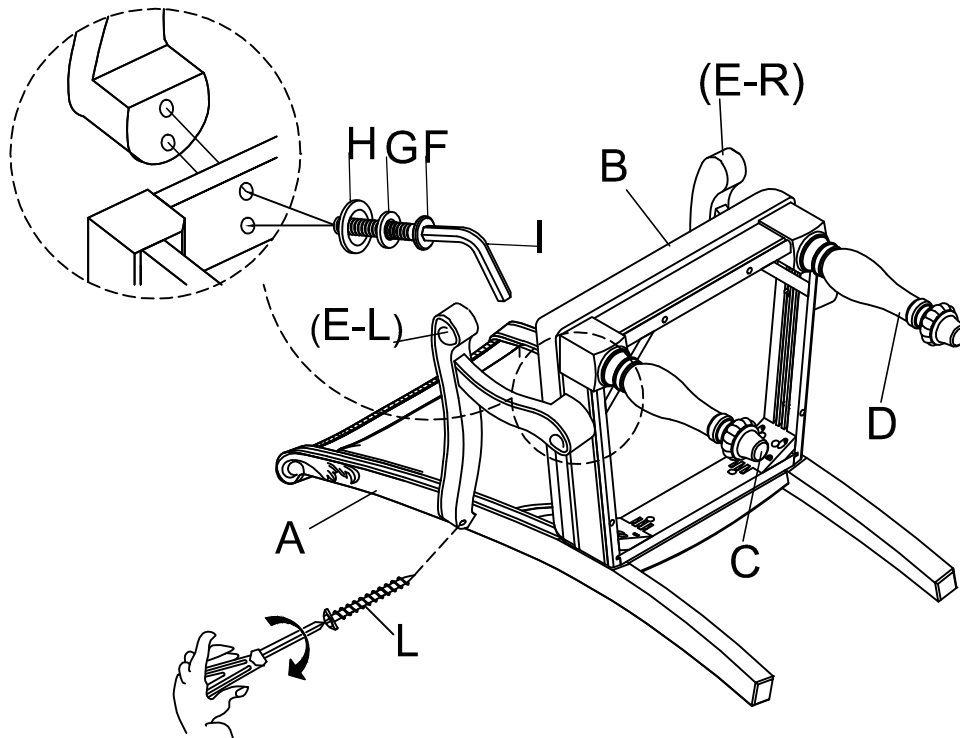
2 Place the Chair Back (A). Tighten the Cushion Seat(B) on the face by bolts (J)(K). Lock washer (G) and flat washer (H) with allen key (I).



3 Place the cushion seat(B)(A) upside down smooth carpet surface. Tighten the left front leg (C) and right front leg (D) on the corner blocks by bolt (F), lock washer (G) and flat washer (H) with allen key (I).



- 4** Place the Chair Back (A). Tighten the ARM (L+R) on side the chair by bolts (F), lock washers (G) and flat washers (H) with allen key. Fix the arm (L+R) on the legs, by screw (L).



Stand chair up on an even surface and check that it is balanced. If there is a slight wobble, apply downward pressure in the corner where a leg is uneven. Keeping pressure in that corners, tighten all bolts, If balanced, apply downward pressure evenly in the center and tighten all bolts, Do not over-tighten beyond hole depth

Helpful Tip:

-Instead of applying downward pressure while reaching under to tighten bolts, have someone sit on the chair while you tighten the bolts.

Cleaning & Care

Treat surface with care. Surface is resistant to scratches but is not scratch resistant. Clean surface with a dry or damp soft cloth. Do not use abrasive cleaners. Hardware may loosen overtime. Periodically check that all connections are tight.