

# ROOF DRAIN

## 868 SERIES

### SPECIFICATION

Sioux Chief 868 series roof drain shall be used where necessary in drainage systems. Drain shall have U.V. resistant PVC, or aluminum dome strainer, and aluminum gravel guard/flashing clamp. Roof drain shall have a PVC body with Sch. 40 hub connection. Connection to drainage system shall be made with a solvent weld joint to PVC pipe.

Designed in accordance with ASME A112.6.4-2003

### MATERIALS

**Dome strainer:** PVC, aluminum with black e-coat

**Gravel Guard/Flashing Clamp:** Aluminum with black e-coat

**Drain Body:** PVC

### STRAINER FREE AREA

49.5 in<sup>2</sup>

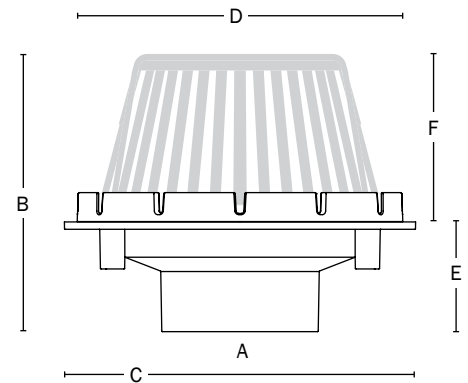
### DIMENSIONS

	3" Sch. 40 Hub	4" Sch. 40 Hub	6" Sch. 40 Hub
<b>A:</b> Connection	3" Sch. 40 Hub	4" Sch. 40 Hub	6" Sch. 40 Hub
<b>B:</b> Overall height	8-9/16"	8-5/8"	10-3/8"
<b>C:</b> Flange diameter	11"	11"	11"
<b>D:</b> Guard/Clamp diameter	10-3/16"	10-3/16"	10-3/16"
<b>E:</b> Body height	3-3/8"	3-7/16"	5-3/16"
<b>F:</b> Elevation	5-3/16"	5-3/16"	5-3/16"

ITEM # SUBMITTED	_____
JOB NAME	_____
LOCATION	_____
ENGINEER	_____
CONTRACTOR	_____
PO#	_____ TAG _____



868-P4



### Create Item Number

## 868-AB

e.g. **868-P4MUS:** Roof drain with 4" PVC Sch. 40 hub connection, aluminum dome, underdeck clamp, and sump receiver

#### CONNECTION SIZE A

- P3** = 3" No-Hub
- P4** = 4" No-Hub
- P6** = 6" No-Hub

#### OPTIONS B

- M** = Aluminum dome strainer<sup>1</sup>
- V** = Vandal-resistant dome screws
- W** = 2-1/4" External water dam
- P** = Perforated dome cover<sup>2</sup>
- U** = Underdeck clamp kit
- S** = Sump receiver
- E** = Extension collar kit

#### Accessories - Available Separately:

- 868-HD: PVC replacement dome strainer
- 868-MC: Aluminum replacement gravel guard/collar
- 868-MD: Aluminum replacement dome strainer
- 868-WD: Aluminum 2-1/4" external water dam
- 868-C: Underdeck clamp kit (clamp + hardware)
- 868-E: Extension collar kit (collar + hardware)
- 868-S: Galvanized sump receiver
- 868-S2: Galvanized double sump receiver

<sup>1</sup> Aluminum dome strainer in lieu of PVC (standard) | <sup>2</sup> Stainless steel with 0.25" dia. openings