



**McAllister®**  
29-1/2" undermount single-bowl kitchen sink, 40 pack  
**F11600**

**Features**

- No faucet holes; requires wall- or counter-mount faucet
- 9-5/16" (237 mm) depth
- 3-5/8" (92 mm) drain opening
- Stainless steel with luster finish

**Material**

- Premium 18-gauge stainless steel

**Installation**

- Undermount

**Recommended Products/Accessories**

7400 Stainless Steel Sink Drain and Strainer  
K-23726 Drain treatment  
K-23729 Stainless steel cleaner  
20078 Sink Rack

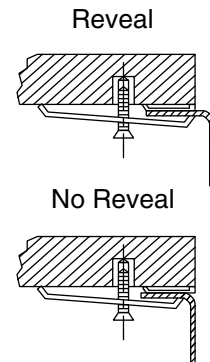
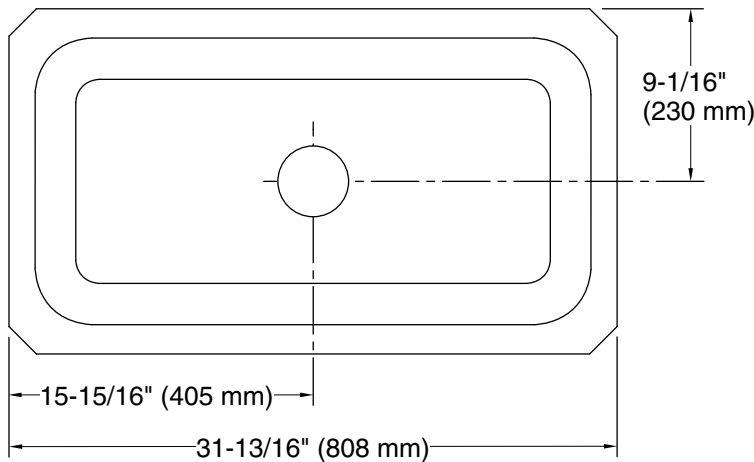


**Codes/Standards**

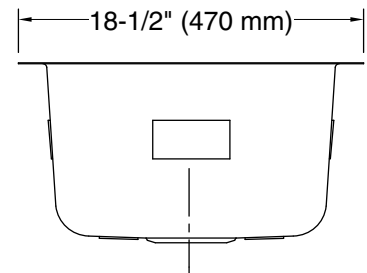
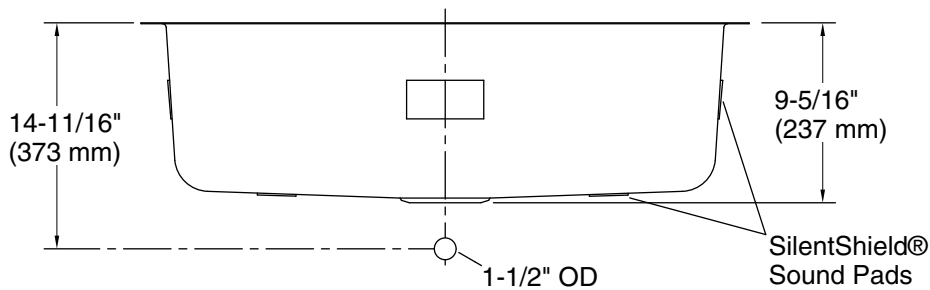
ASME A112.19.3/CSA B45.4

**STERLING® Stainless Steel Sinks  
Lifetime Limited Warranty**

See website for detailed warranty information.



Mounting bracket assembly provides a secure installation.



**Technical Information**

All product dimensions are nominal.  
 Basin configuration: Single Bowl  
 Min. base cabinet width: 36" (914 mm)  
 Bowl area (Only): Length: 29-1/2" (749 mm)  
                                   Width: 15-3/4" (400 mm)  
                                   Bowl depth: 9" (229 mm)  
                                   Water depth: 9" (229 mm)  
 Drain hole: 3-5/8" (92 mm)  
 Template: Undermount, 1315844-7, required, included

**Notes**

Install this product according to the installation instructions.  
 Measure your actual product for roughing-in details.  
 Use the supplied cut-out template to select either a hidden or exposed rim.  
 Minimum base cabinet width: 33"-36" (33" cabinet may require cabinet modifications). Consult an installer for confirmation before proceeding.