



SHOWERLINE

PLANNING STEPS: Customer/Job _____ Date _____

Please sketch Dimensions and Drain Location.

Ordering Steps for ShowerLine

Email to: orders@oatey.com or info@lrbrands.com

ShowerLine drain bodies are composed of PVC and can be used with All Waterproofing methods Topical Sheet, Topical Liquid and Hot Mop.

- 1) Pick your ShowerLine Body: Rough Opening:
measurements are in **Bold Print (backer board to backer board)**. Drain Body Size: Qty:
- 2) Select your Cover and Finish. The required cover length is included in the ShowerLine body description in **Bold Print**. Model number consist of Pattern and length example: (Cosmo40) Cosmo Pattern 40" in length. Cover Length & Pattern
Finish: P=Polished Stainless Steel or
no following letter =Brushed Stainless Steel
- 3) The QuickSlope pan pieces or kit's are determined by the drain body size. QuickSlope kit's are composed of PET foam (Recycled water and soda bottles) ShowerLine pan kits are listed in the ShowerLine section and have the Drain body model number that it works with. SLPAN# SLPAN pans are designed for a curbed installation or tub to shower conversion
SLPANADA# SLPANADA pans will be used for a Curbless or Zero barrier entry
- 4) Pick Waterproofing kit: Topical Liquid
(80% of the projects use this method)
Topical Sheet
- 5) Select your cover channel finish and size for ShowerLine. Cover Length and Finish

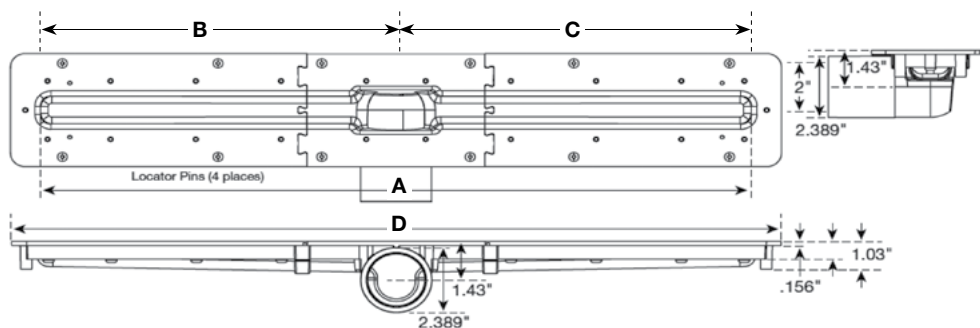
Please feel free to contact us at info@lrbrands.com if you require any assistance. The following information will be required in order to prepare your Bill of Materials sheet.

- 1) Will this be a Curbed or Curb-less installation
- 2) Dimensions of shower pan Backer to Backer Board, Frame to Frame or Finished or Finished tile wall.
- 3) Drain location

Flow rates are as follows:

Drains installed at the entry can handle 5gpm if a higher flow rate is required. Drains can be connected to one another.
Drains installed at the Back-Wall or Curbed method can handle 10gpm

ShowerLine Drain Body Dimensions



Step 1: Choose ShowerLine Drain Body

ShowerLine

- All ShowerLine linear drain bodies are made from PVC with fully-sloped troughs. Clamping collar and extension made from 16 and 26 gauge 304 stainless steel. All waste outlets are centered.
- ShowerLine waterproofing kits are sold separately.
- Compatible waterproofing methods:
 - Topical Sheet Membrane
 - Topical Liquid
 - CPE/PVC Shower Pan Liner
 - Hot Mop

NOTE: RO = backer Board to Backer Board



ShowerLine Drain Assembly

Item Code	Description	Finish	Dimensions A-B-C-D
PVC2430D20	24" PVC Drain Body with a 2" vertical outlet. Fits RO 26" - 32" . Waste outlet centered. 32" Drain cover required. Recommended: SLPAN32; SLSWP32 or SLLWP or SLLWP-ADA	(4) Height Adjustable Spacers, (1) Clamping Collar, (2) Cover Channels, (2) Trough Extensions, (22) Screws & (2) Cover Removal Keys	24-12-12-26
PVC2430D20-SWO	24" PVC Drain Body with a 2" side waste outlet. Fits RO 26" - 32" . Waste outlet centered. 32" Drain cover required. Recommended: SLPAN32; SLSWP32 or SLLWP or SLLWP-ADA	(4) Height Adjustable Spacers, (1) Clamping Collar, (2) Cover Channels, (2) Trough Extensions, (22) Screws & (2) Cover Removal Keys	24-12-12-26
PVC3240D20	32" PVC Drain Body with a 2" vertical outlet. Fits RO 34" - 40" Waste outlet centered. 40" Drain cover required. Recommended: SLPAN40 or SLPANADA48; SLSWP40 or SLLWP or SLLWP-ADA	(4) Height Adjustable Spacers, (1) Clamping Collar, (2) Cover Channels, (2) Trough Extensions, (26) Screws & (2) Cover Removal Keys	32-16-16-34
PVC3240D20-SWO	32" PVC Drain Body with a 2" side waste outlet. Fits RO 34" - 40" Waste outlet centered. 40" Drain cover required. Recommended: SLPAN40 or SLPANADA48; SLSWP40 or SLLWP or SLLWP-ADA	(4) Height Adjustable Spacers, (1) Clamping Collar, (2) Cover Channels, (2) Trough Extensions, (26) Screws & (2) Cover Removal Keys	32-16-16-34
PVC4048D20	40" PVC Drain Body with a 2" vertical outlet. Fits RO 42" to 48" Waste outlet centered. 48" Drain cover required. Recommended: SLPAN48 or SLPANADA48; SLSWP48 or SLLWP or SLLWP-ADA	(6) Height Adjustable Spacers, (1) Clamping Collar, (2) Cover Channels, (2) Trough Extensions, (34) Screws & (2) Cover Removal Keys	40-20-20-42
PVC4856D20	48" PVC Drain Body with a 2" vertical outlet. Fits RO 50" to 56" Board Waste outlet centered. 56" Drain cover required. Recommended: SLPAN56 or SLPAN56-ADA; SLSWP56 or SLLWP or SLLWP-ADA outlet	(6) Height Adjustable Spacers, (1) Clamping Collar, (2) Cover Channels, (2) Trough Extensions, (38) Screws & (2) Cover Removal Keys	48-24-24-50
PVC5664D20	56" PVC Drain Body with a 2" vertical outlet. Fits RO 58" to 64" Waste outlet centered. 64" Drain cover required. Recommended: SLPAN64 or SLPANADA64; SLSWP64 or SLLWP or SLLWP-ADA	(8) Height Adjustable Spacers, (1) Clamping Collar, (2) Cover Channels, (2) Trough Extensions, (42) Screws & (2) Cover Removal Keys	56-28-28-58
PVC6472D20	64" PVC Drain Body with a 2" vertical outlet. Fits RO 66" to 72" Waste outlet centered. 72" Drain cover required. Recommended: SLPAN72; SLSWP72 or SLLWP or SLLWP-ADA	(8) Height Adjustable Spacers, (1) Clamping Collar, (2) Cover Channels, (2) Trough Extensions, (50) Screws & (2) Cover Removal Keys	64-32-32-66