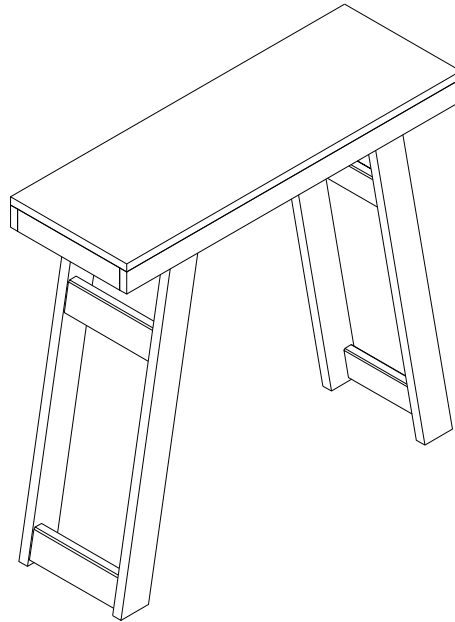


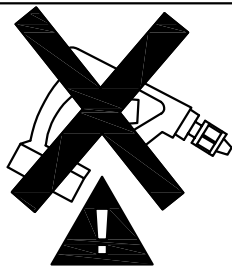
ASSEMBLY INSTRUCTION

Console Table 910mm

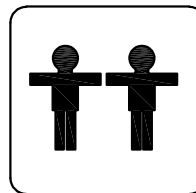


REPLACEMENT PARTS

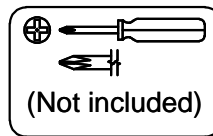
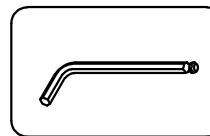
*Please do not contact the company purchased from as we can help you faster.
Order replacement parts and hardware at " www.boltonfurniture.com "*



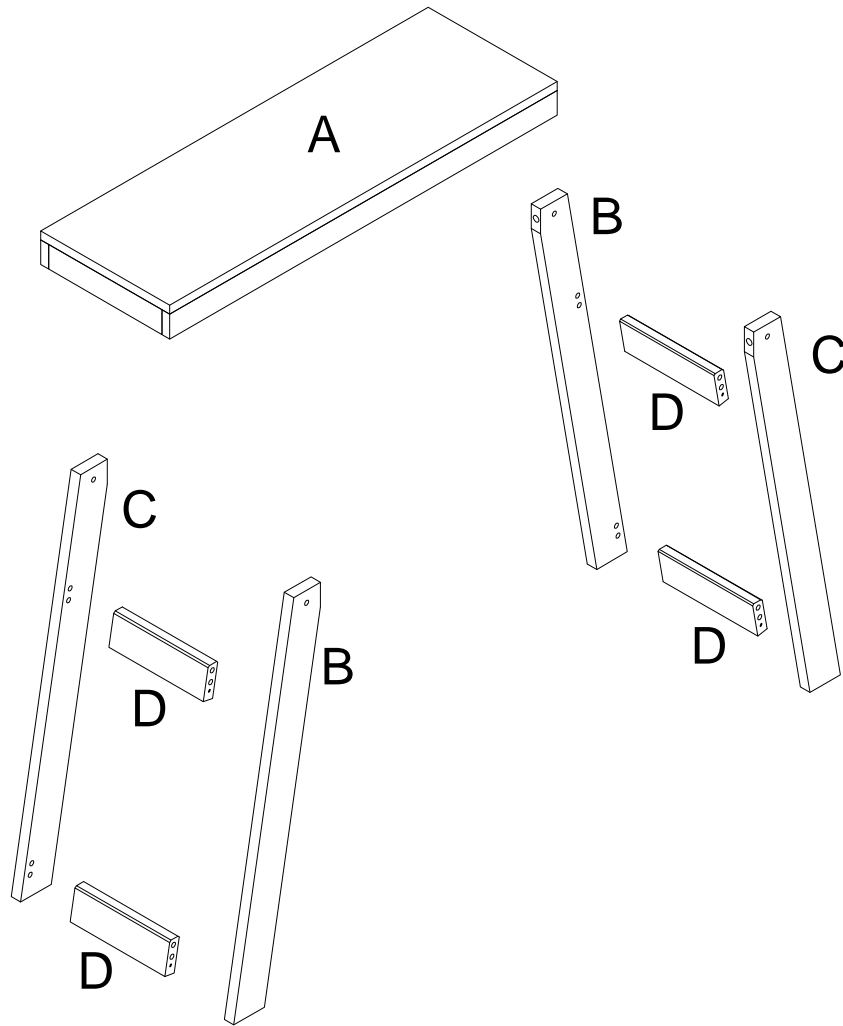
- . Use of power tool to assemble this product will invalidate any claim and damage this product making it unsafe !!!
- . Please assemble on a clean soft surface to avoid damage.



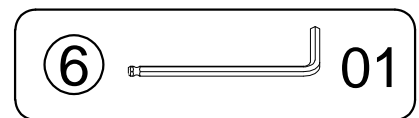
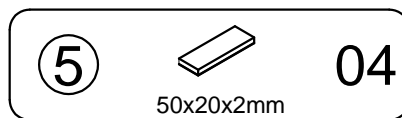
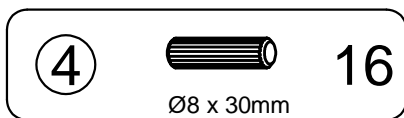
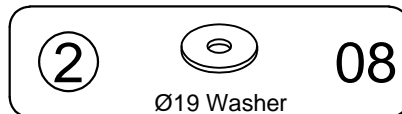
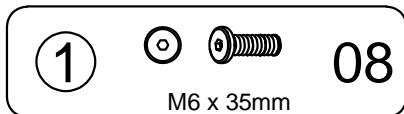
Tools Required



Part list - Console Table 910mm




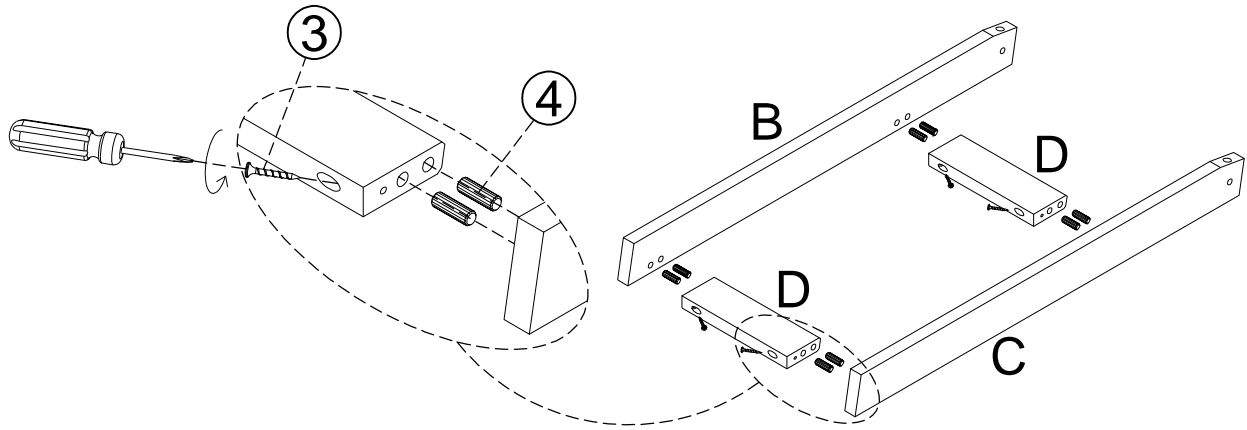
Identifying the hardware-Identify the hardware using the illustrations below




STEP 1

③  08
Ø4x35mm


④  16
Ø8 x 30mm




STEP 2

①  08
M6 x 35mm

②  08
Ø19 Washer

⑤  04
50x20x2mm

⑥  01

