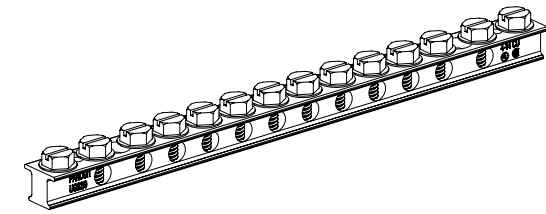
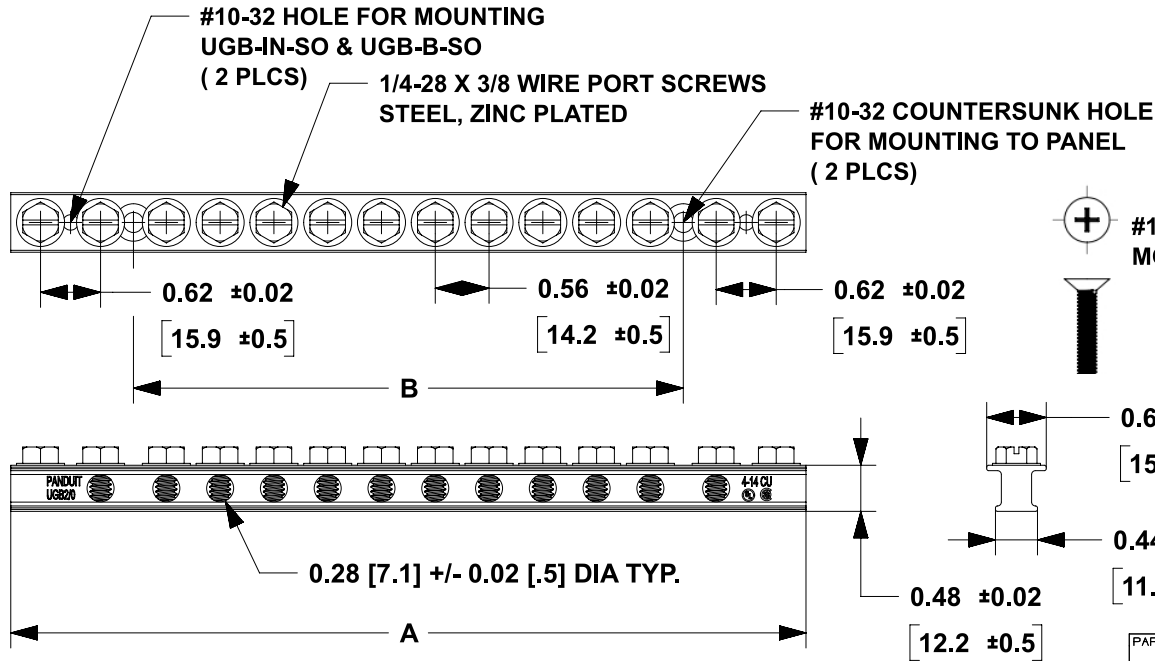


PANDUIT PART NUMBER	# OF PORTS	WIRE PORT WIRE RANGE	1/4-28 WIRE PORT SCREW QTY.	A ±0.02 [0.5]	B ±0.02 [0.5]
UGB2/0-414-4	4	14 AWG - 4 AWG	6	3.80 [96.5]	1.25 [31.7]
UGB2/0-414-6	6		8	4.92 [125.0]	2.37 [60.2]
UGB2/0-414-8	8		10	6.04 [153.4]	3.49 [88.6]
UGB2/0-414-10	10		12	7.16 [181.9]	4.61 [117.0]
UGB2/0-414-12	12		14	8.28 [210.3]	5.73 [145.5]
UGB2/0-414-14	14		16	9.40 [238.8]	6.85 [174.0]
UGB2/0-414-18	18		20	11.64 [295.7]	9.09 [230.8]

NOTES:

- VISIT OUR ON-LINE CATALOG AT WWW.PANDUIT.COM FOR A LIST OF CURRENT PARTS APPLICABLE FOR USE WITH THIS PRODUCT.
- DIMENSIONS IN [] ARE METRIC.
- UL LISTED 467 FOR GROUNDING AND BONDING EQUIPMENT.
- CSA CERTIFIED 22.2 NO. 41
- CAN BE MOUNTED DIRECTLY TO PANEL OR MOUNTED USING UGB-IN-SO, OR USING UGB-B-SO.
- MAXIMUM EQUIPMENT GROUNDING CONDUCTOR OF 2/0 AWG COPPER WIRE.
- ACCEPTS MOST LUGS AND TERMINALS WITH A 1/4" [6.4] STUD HOLE SIZE AND MAX. TONGUE WIDTH OF 0.55" [14.0]



UGB2/0-414-12 (SHOWN)

PART NUMBER		SEE TABLE	
TITLE		UNIVERSAL GROUND BARS	
CUSTOMER DRAWING			
ITEM REVISION NAME		10J017CB/04	
DATASET FILE NAME		10J017CB_DC/04A	
MATERIAL		ELECTROLYTIC COPPER TIN PLATED	
DRAWING NUMBER		10J017CB-DC	
REV	DATE	BY	CHK
04A	12-16-24	JBN	JSUN
DESCRIPTION		ECN	
ADDED COMPLIANCE LOGO cULus		008882/00	
SCALE	DRAWN BY	DATE	CHK
NONE	JHNU	01-05-12	RGB
SHEET 1 OF 1	SIZE		A

A-SIZE CUSTOMER