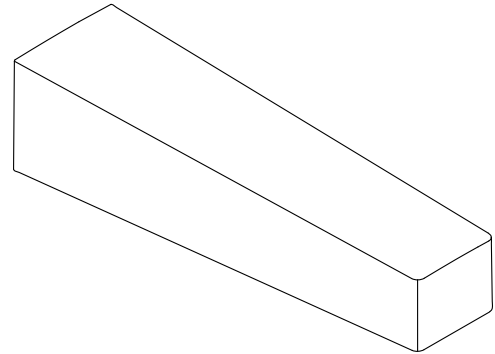


Features

- Metal construction
- Nondiverter spout with 1/2" NPT or slip-fit connection
- Complements Honesty faucets and accessories

Recommended Products/Accessories

- K-26633 18" towel bar
- K-26634 24" towel bar
- K-26635 12" towel bar
- K-26636 Robe hook
- K-26637 Towel arm
- K-26638 Pivoting toilet paper holder



Codes/Standards





ASME A112.18.1/CSA B125.1

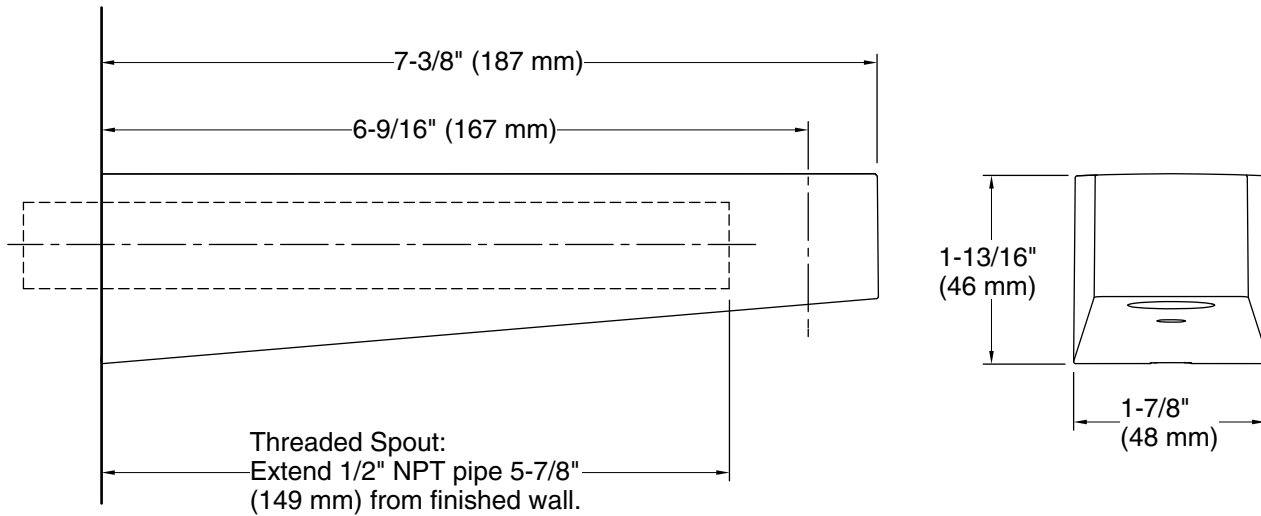
KOHLER® Faucet Lifetime Limited Warranty

See website for detailed warranty information.

Available Colors/Finishes

Color tiles intended for reference only.

Color	Code	Description
	CP	Polished Chrome
	BN	Vibrant® Brushed Nickel
	BL	Matte Black
	2MB	Vibrant® Brushed Moderne Brass



Technical Information

All product dimensions are nominal.

Spout:

Spout reach: 6-9/16" (167 mm)

Notes

Install this product according to the installation guide.

For slip fit-spout, 5/8" OD tube must extend 5-9/16" (141 mm) beyond finished wall.